

## BOND

BXT160

Bond Solo Series Wall Mounted Exposed Tub Filler with Handshower and Lever Handles



### TECHNICAL DETAILS

ADA Compliance: When installed per ADA guidelines  
Diameter of Legs / Tubes: 1 1/4"  
Fittings Hole Diameter: 1 3/8"  
Handle Spread Maximum: 8"  
Handle Spread Minimum: 8"  
Handle Turn Angle: Quarter Turn  
Handshower / Spray Hose Length: 59"  
Inlet Connection Size: 3/4"  
Inlet Connection Type: Male NPT  
Inlet Supply Spread Maximum: 12 1/2"  
Inlet Supply Spread Minimum: 12 1/2"  
Integrated Diverter: Y  
Number of Holes: Two Hole  
Primary Material: Brass  
Spout Swivel: N  
Spray Included in Unit: Y  
Valve Material: Ceramic  
Water Pressure Maximum: 85.0 psi  
Water Pressure Minimum: 20.0 psi  
Water Pressure Recommended: 45.0 psi

### INSPIRATION

Modern bath designs infused with rare soul and artistry. Explore a range of statement-making elements: fittings, washstands, mirrors and more.

### PRODUCT FEATURES

Lever Handles

Diverter handle allows bather to move water from spout to handshower. Handshower features 2-1/8" head with rubber nozzles.

Features Uprturned Lever Handle

Stocked in Chrome, Nickel, Brass and Dark Nickel

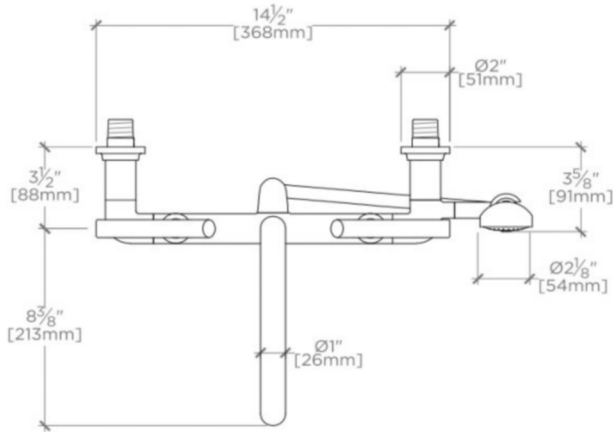
Unrestricted flow for tub spout. Handshower available in 1.75gpm (6.6L/min) flow rate

# WATERWORKS

## BOND

## BXT160

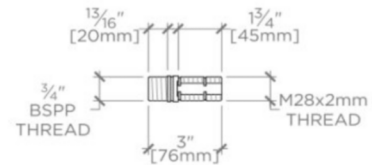
Bond Solo Series Wall Mounted Exposed Tub Filler with Hand-shower and Lever Handles



TOP VIEW

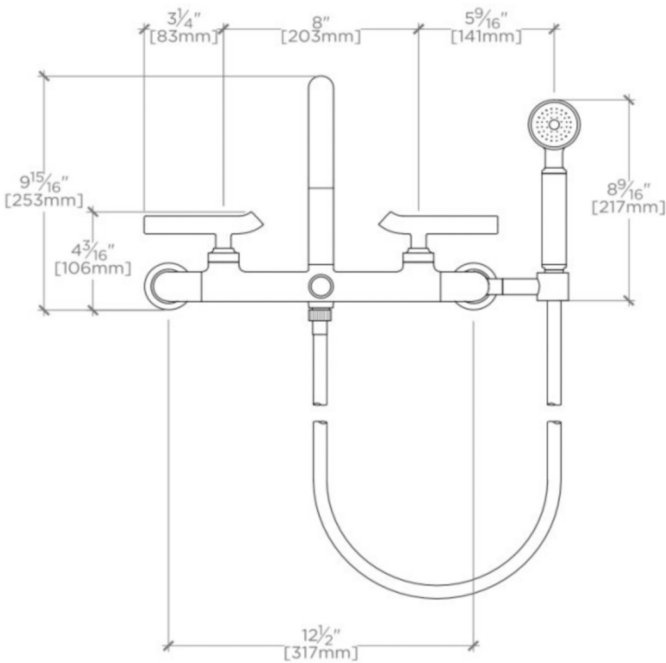
SCALE: 1/2"=1'-0"

† 2 ADAPTERS SUPPLIED  
INTERNATIONAL USE ONLY



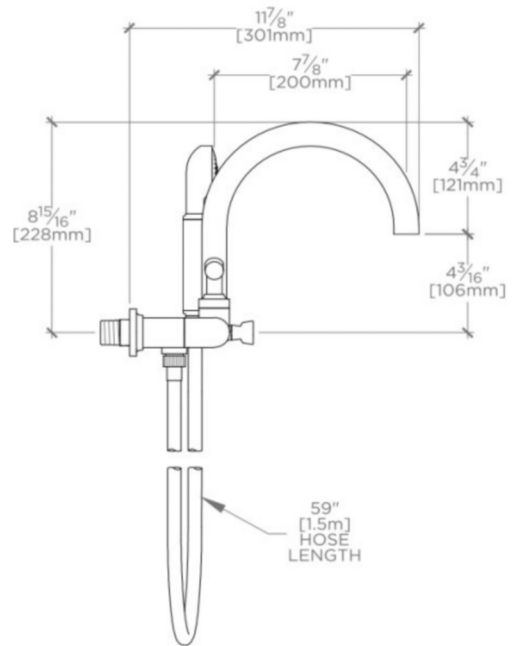
BSPP ADAPTER †

NOT TO SCALE



FRONT VIEW

SCALE: 1/2"=1'-0"



SIDE VIEW

SCALE: 1/2"=1'-0"