

## BOND

BXT17C

Bond Union Series Wall Mounted Exposed Tub Filler with Handshower and Guilloche Link Lever Handles



### TECHNICAL DETAILS

ADA Compliance: When installed per ADA guidelines

Diameter of Legs / Tubes: 1 1/4"

Fittings Hole Diameter: 1 3/8"

Handle Spread Maximum: 8"

Handle Spread Minimum: 8"

Handle Turn Angle: Quarter Turn

Handshower / Spray Hose Length: 59"

Inlet Connection Size: 3/4"

Inlet Connection Type: Male NPT

Inlet Supply Spread Maximum: 12 1/2"

Inlet Supply Spread Minimum: 12 1/2"

Integrated Diverter: Y

Number of Holes: Two Hole

Primary Material: Brass

Spout Swivel: N

Spray Included in Unit: Y

Valve Material: Ceramic

Water Pressure Maximum: 85.0 psi

Water Pressure Minimum: 20.0 psi

Water Pressure Recommended: 45.0 psi

### INSPIRATION

Modern bath designs infused with rare soul and artistry. Explore a range of statement-making elements: fittings, washstands, mirrors and more.

### PRODUCT FEATURES

Lever Handles

Diverter handle allows bather to move water from spout to handshower. Handshower features 2-1/8" head with rubber nozzles.

Features Guilloche Link Pattern Handle

Stocked in Nickel and Brass

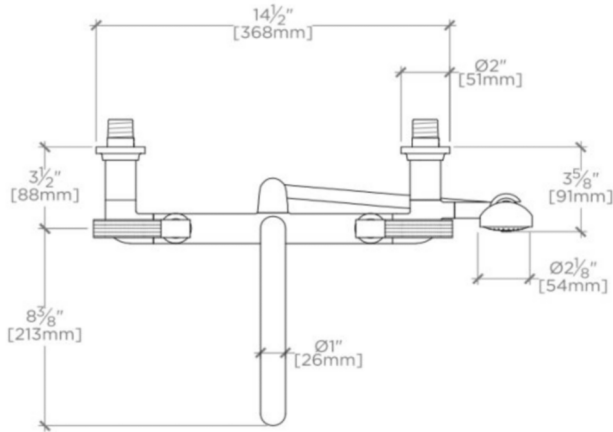
Unrestricted flow for tub spout. Handshower available in 1.75gpm (6.6L/min) flow rate

# WATERWORKS

## BOND

## BXT17C

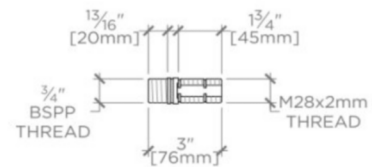
Bond Union Series Wall Mounted Exposed Tub Filler with Hand-shower and Guilloche Link Lever Handles



TOP VIEW

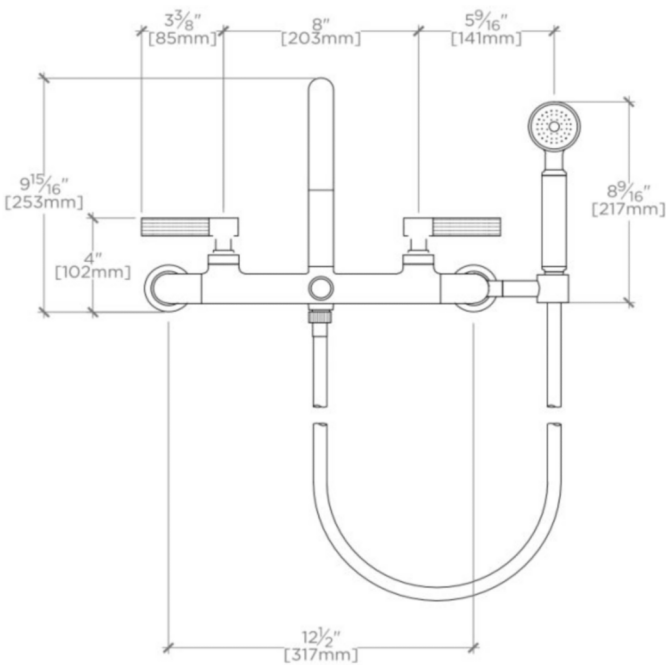
SCALE: 1/2"=1'-0"

† 2 ADAPTERS SUPPLIED  
INTERNATIONAL USE ONLY



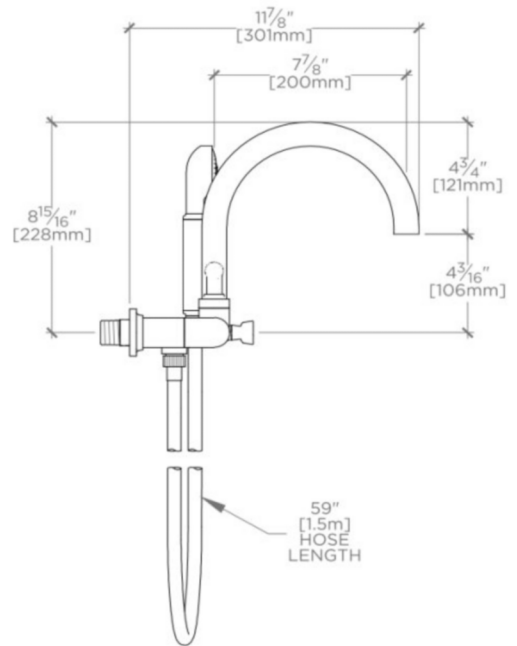
BSPP ADAPTER †

NOT TO SCALE



FRONT VIEW

SCALE: 1/2"=1'-0"



SIDE VIEW

SCALE: 1/2"=1'-0"