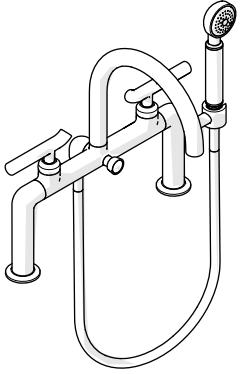
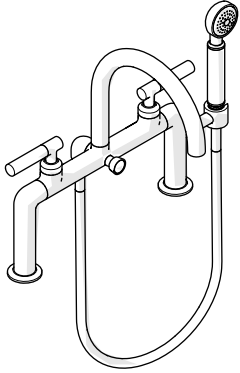


WATERWORKS

INSTALLATION GUIDELINES

STYLE No. BXT260, BXT27A, BXT27B, BXT27C, BXT27D
Bond Deck Mounted Exposed Tub Filler with Handshower

	STYLE	DESCRIPTION
	BXT260	Bond Solo Series Deck Mounted Exposed Tub Filler with Handshower and Lever Handles
	BXT27A	Bond Tandem Series Deck Mounted Exposed Tub Filler with Handshower and Guilloche Lines Lever Handles
	BXT27B [SHOWN]	Bond Tandem Series Deck Mounted Exposed Tub Filler with Handshower and Two-Tone Lever Handles
	BXT27C	Bond Union Series Deck Mounted Exposed Tub Filler with Handshower and Guilloche Link Lever Handles
	BXT27D	Bond Union Series Deck Mounted Exposed Tub Filler with Handshower and Enamel Guilloche Lines Lever Handles

IMPORTANT:

- To ensure this product is installed properly, you must read and follow these guidelines.
- The owner/user of this product must keep this information for future reference.
- This product must be installed by a professional licensed contractor and must be on-site prior to rough-in. This allows the installer to visualize the installation and verify the 12-1/2" [318mm] on-center inlet supply spread. The inlet supply spread on this product is **NOT** adjustable.
- Check TUB measurements to ensure the SPOUT project far enough into the TUB.
- Run 3/4" supply lines for **MAXIMUM** flow and install ACCESSIBLE hot and cold service stop valves to facilitate servicing.

- Be sure your installation conforms to federal, state, and local codes.
 - Anti-scaled protection is the responsibility of the installer and according to applicable codes.
 - A water temperature limiting device is the responsibility of the installer and must be in accordance with ASSE 1070.
 - In the State of Massachusetts, all installations must comply with the rules and regulations set forth within 248 CMR.
- Inspect this product to ensure you have all the parts required for proper installation.
- Product is sold partially assembled but shown fully disassembled for illustrative and service purposes only.
- Use only a strap wrench or protected/smooth-jaw wrench on any finished surface.
- The use of certain plumber's putty may stain stone or tile surfaces.
- If further assistance is required, please contact Product Support at 1-800-927-2120 Monday through Friday, 8am - 6pm EST.
- Refer to the separate Service Parts Documents for available replacement parts.

TECHNICAL DETAILS:

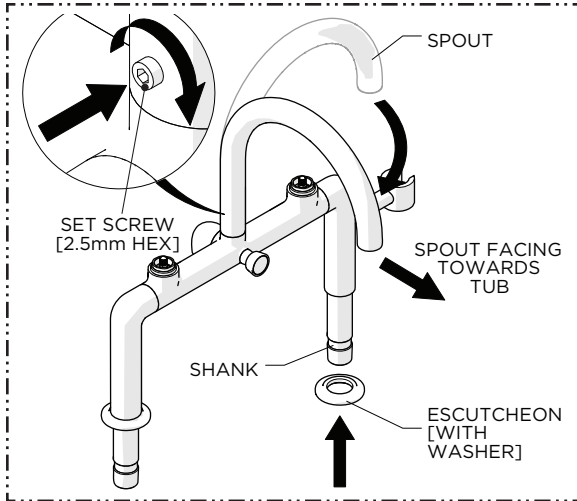
DETAIL	SPECIFICATION
DIAMETER OF HANDSHOWER HEAD	2-1/8" [54mm]
DECK THICKNESS MAXIMUM	1-1/2" [38mm]
FITTINGS HOLE DIAMETER	1-3/8" [35mm]
HANDLE TURN ANGLE	QUARTER TURN
HOSE LENGTH	59" [1.5m]
INLET CONNECTION	3/4" MALE NPT †
INLET SUPPLY SPREAD	12-1/2" [318mm] [NOT ADJUSTABLE]
INTEGRATED DIVERTER	YES
SPOUT REACH	7-7/8" [200mm]
WATER PRESSURE MAXIMUM	85psi [6.0 bar]
WATER PRESSURE MINIMUM	20psi [1.5 bar]
WATER PRESSURE RECOMMENDED	45psi [3.0 bar]

† For **INTERNATIONAL USE ONLY**, 3/4" FEMALE NPT x 3/4" BSPP MALE ADAPTERS are provided.

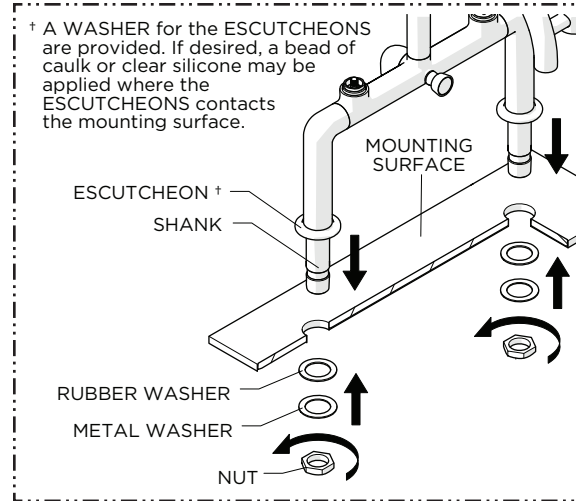
WATERWORKS

INSTALLATION GUIDELINES

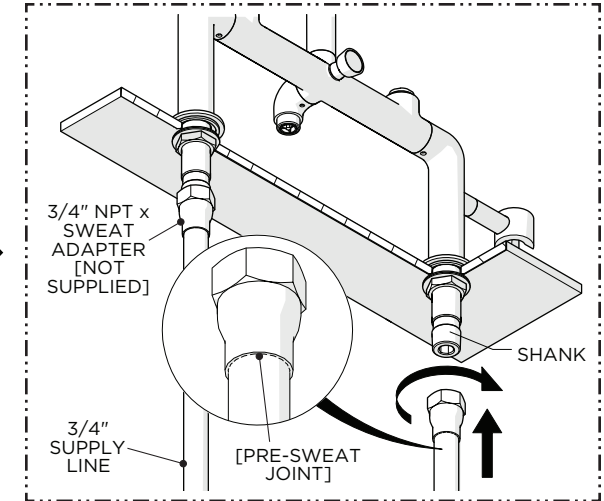
STYLE No. BXT260, BXT27A, BXT27B, BXT27C, BXT27D
Bond Deck Mounted Exposed Tub Filler with Handshower



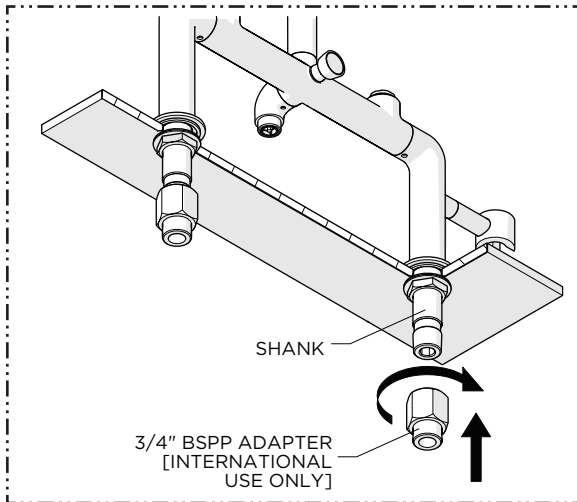
1. Align the SPOUT properly and securely tighten the SET SCREW at the base of the SPOUT then slide the ESCUTCHEONS onto the SHANKS.
NOTE: Do NOT remove the FOAM WASHERS on the ESCUTCHEONS.



2. Insert the SHANKS into the holes on the mounting surface then attach the RUBBER and METAL WASHERS and NUTS onto the SHANKS. Securely tighten the NUTS against the underside of the mounting surface.

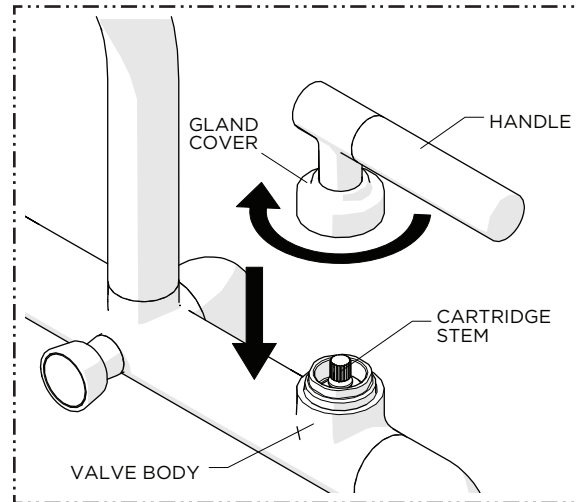


3. Pre-sweat 3/4" female NPT x sweat adapters to 3/4" supply lines and let cool. Apply a thin coat of pipe thread sealant to the male threads on the SHANKS then thread and securely tighten the ADAPTERS onto the SHANKS.

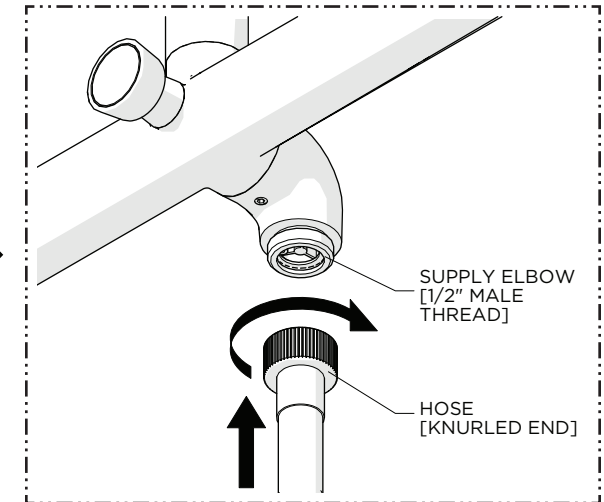


FOR INTERNATIONAL INSTALLATIONS ONLY

4. 3/4" female NPT x 3/4" male BSPP ADAPTERS are provided. Thread and securely tighten the ADAPTERS onto the SHANKS.



5. With the HANDLE in the desired position, place it over the CARTRIDGE STEM then thread the GLAND COVER onto the VALVE BODY.
➤ REPEAT THIS STEP TO INSTALL THE 2ND HANDLE.

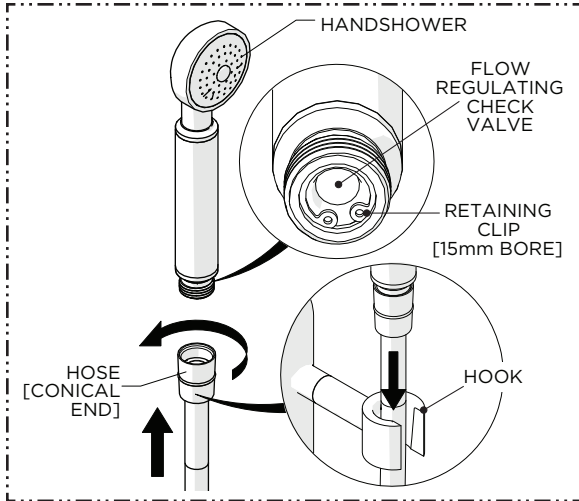


6. Thread the KNURLED END of the HOSE to the SUPPLY ELBOW on the VALVE BODY.
NOTE: A CHECK VALVE is located inside the outlet of the ELBOW.

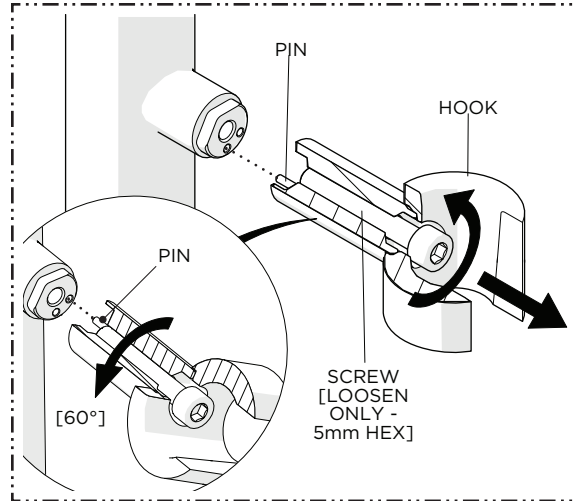
WATERWORKS

INSTALLATION GUIDELINES

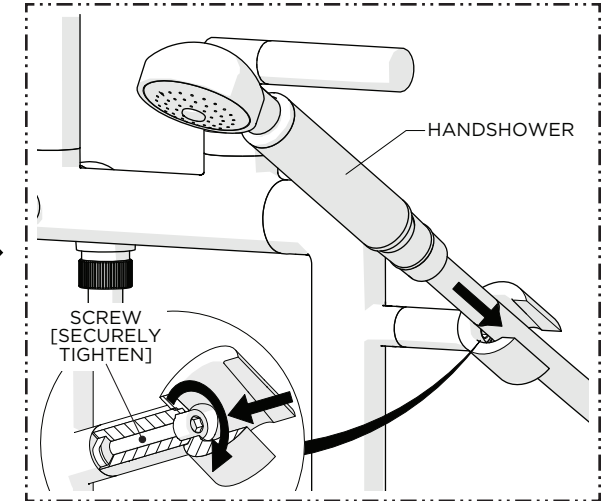
STYLE No. BXT260, BXT27A, BXT27B, BXT27C, BXT27D
Bond Deck Mounted Exposed Tub Filler with Handshower



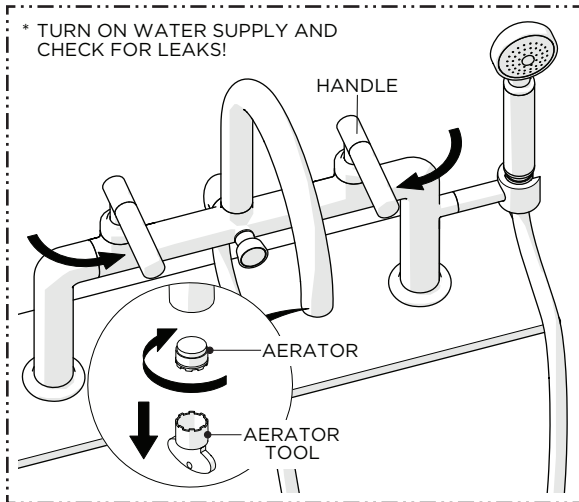
7. Thread the conical end of the HOSE to the HANDSHOWER then rest the HANDSHOWER on the HOOK.
- NOTE:** A FLOW REGULATING CHECK VALVE is located inside the inlet of the HANDSHOWER.



- OPTIONAL HOOK ADJUSTMENT**
8. Loosen, but do NOT remove, the SCREW and rotate the HOOK 60° to the second position making sure to properly align then PIN.

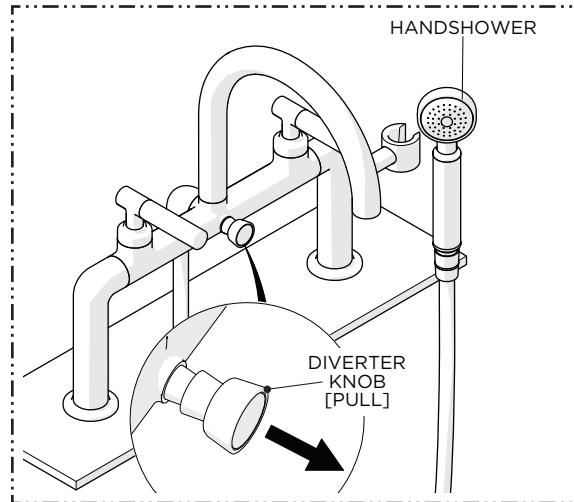


- OPTIONAL HOOK ADJUSTMENT [CONTINUED]**
9. Re-tighten the SCREW then rest the HANDSHOWER on the HOOK making sure the HOSE is not obstructed.

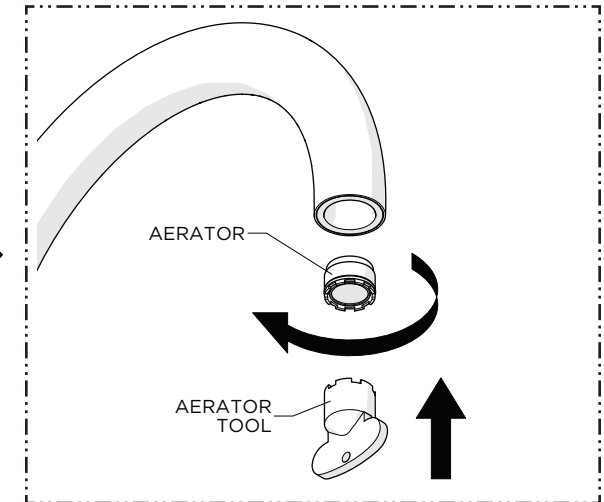


- * TURN ON WATER SUPPLY AND CHECK FOR LEAKS!
10. Remove the AERATOR using the TOOL provided then turn on the water supply and operate the HANDLES to flush out the supply lines and check all connections for leaks.

NOTE: Ensure the supply lines have been flushed before operating the DIVERTER KNOB.



11. With water running, operate the DIVERTER KNOB to ensure it and the HANDSHOWER function properly then turn off the water.

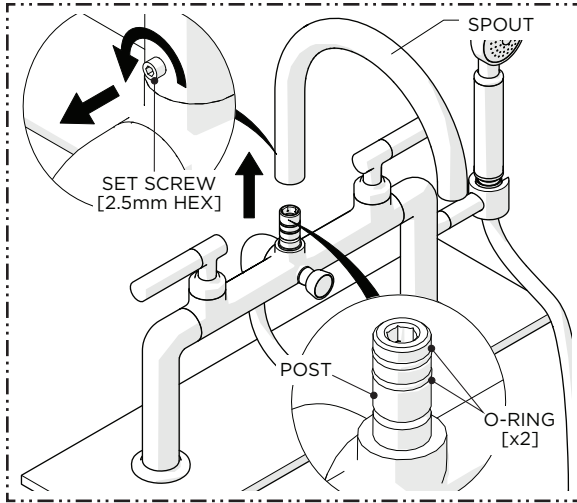


12. Re-install the AERATOR.

WATERWORKS

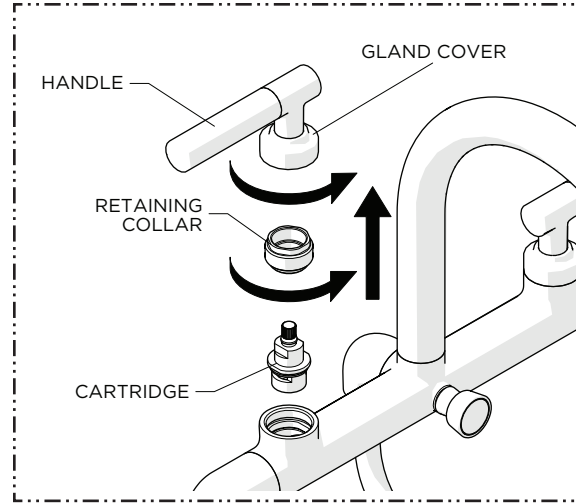
SERVICING GUIDELINES

STYLE No. BXT260, BXT27A, BXT27B, BXT27C, BXT27D
Bond Deck Mounted Exposed Tub Filler with Handshower



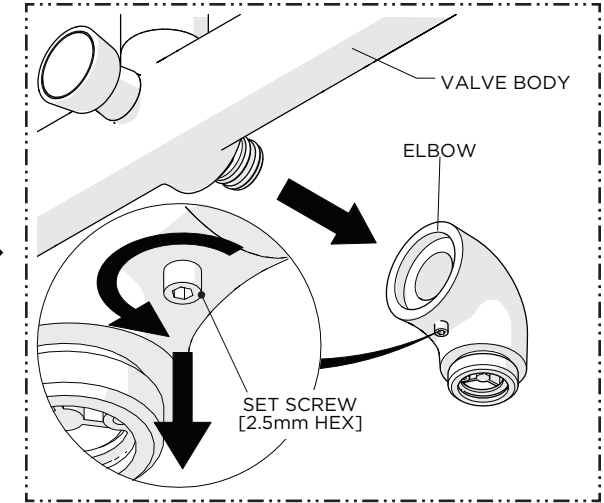
SERVICING THE SPOUT

1. Loosen, but do NOT remove, the SET SCREW at the base of the SPOUT then remove the SPOUT to expose the POST and external O-RINGS.



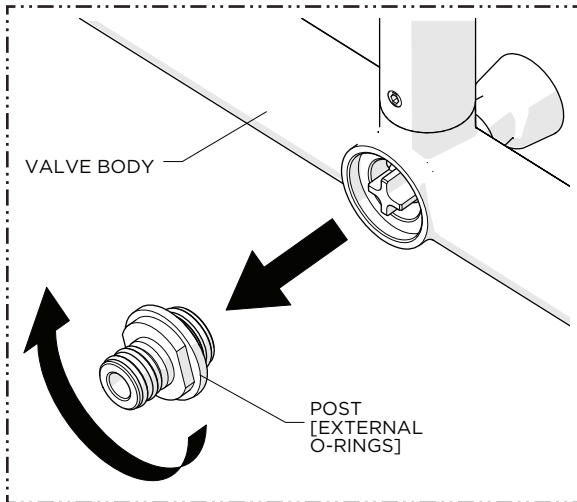
SERVICING THE CARTRIDGE

1. Unthread the GLAND COVER to remove the HANDLE, unthread and remove the RETAINING COLLAR, then remove the CARTRIDGE.

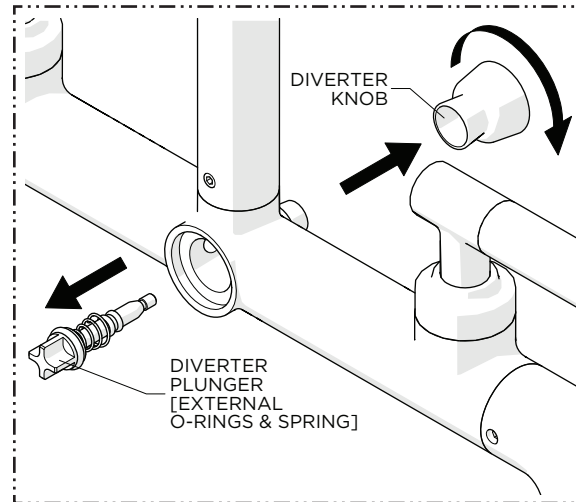


SERVICING THE DIVERTER

1. Loosen, but do NOT remove, the SET SCREW on the underside of the SUPPLY ELBOW then pull the ELBOW to remove it from the VALVE BODY.



2. Unthread and remove the POST from the VALVE BODY.



3. While holding the DIVERTER PLUNGER, unthread the KNOB from the PLUNGER then remove both parts.

NOTE: A pair of needle nose pliers may be used to hold the PLUNGER during removal.