

BOND

BXT37A

Bond Tandem Series Floor Mounted Exposed Tub Filler with Handshower and Guilloche Lines Lever Handles



TECHNICAL DETAILS

ADA Compliance: When installed per ADA guidelines
Diameter of Legs / Tubes: 1 1/4"
Fittings Hole Diameter: 1 3/8"
Handle Spread Maximum: 8"
Handle Spread Minimum: 8"
Handle Turn Angle: Quarter Turn
Handshower / Spray Hose Length: 59"
Inlet Connection Size: 3/4"
Inlet Connection Type: Sweat
Inlet Supply Spread Maximum: 12 1/2"
Inlet Supply Spread Minimum: 12 1/2"
Integrated Diverter: Y
Number of Holes: Two Hole
Primary Material: Brass
Spout Swivel: N
Spray Included in Unit: Y
Valve Material: Ceramic
Water Pressure Maximum: 85.0 psi
Water Pressure Minimum: 20.0 psi
Water Pressure Recommended: 45.0 psi

INSPIRATION

Modern bath designs infused with rare soul and artistry. Explore a range of statement-making elements: fittings, washstands, mirrors and more.

PRODUCT FEATURES

Lever Handles

Diverter handle allows bather to move water from spout to handshower. Handshower features 2-1/8" head with rubber nozzles.

Features Linear Guilloche Etching Handle

Stocked in Nickel and Brass

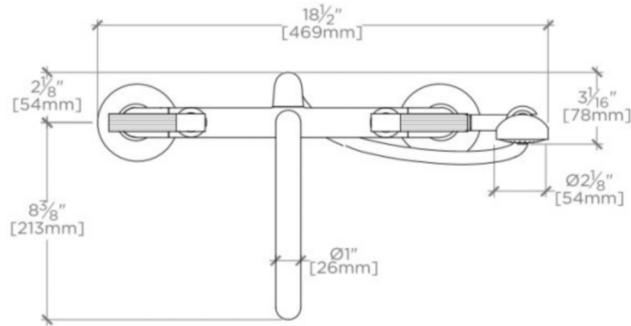
Unrestricted flow for tub spout. Handshower available in 1.75gpm (6.6L/min) flow rate

WATERWORKS

BOND

BXT37A

Bond Tandem Series Floor Mounted Exposed Tub Filler with Hand-shower and Guilloche Lines Lever Handles



TOP VIEW

SCALE: 1 1/2"=1'-0"

