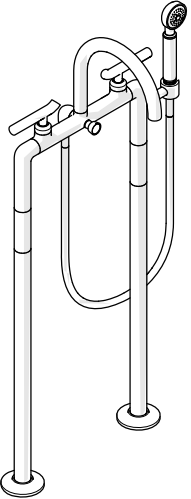
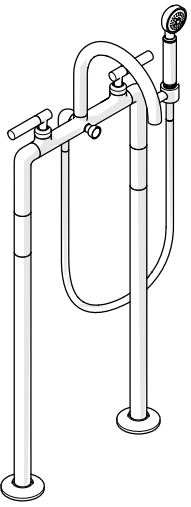


WATERWORKS

INSTALLATION GUIDELINES

STYLE No. BXT360, BXT37A, BXT37B, BXT37C, BXT37D
Bond Floor Mounted Exposed Tub Filler with Handshower

	STYLE	DESCRIPTION
	BXT360	Bond Solo Series Floor Mounted Exposed Tub Filler with Handshower and Lever Handles
	BXT37A	Bond Tandem Series Floor Mounted Exposed Tub Filler with Handshower and Guilloche Lines Lever Handles
	BXT37B [SHOWN]	Bond Tandem Series Floor Mounted Exposed Tub Filler with Handshower and Two-Tone Lever Handles
	BXT37C	Bond Union Series Floor Mounted Exposed Tub Filler with Handshower and Guilloche Link Lever Handles
	BXT37D	Bond Union Series Floor Mounted Exposed Tub Filler with Handshower and Enamel Guilloche Lines Lever Handles

IMPORTANT:

- To ensure this product is installed properly, you must read and follow these guidelines.
- The owner/user of this product must keep this information for future reference.
- This product must be installed by a professional licensed contractor and must be on-site prior to rough-in. This allows the installer to visualize the installation and verify the 12-1/2" [318mm] on-center inlet supply spread. The inlet supply spread on this product is **NOT** adjustable.
- Check TUB measurements to ensure the SPOUT project far enough into the TUB.
- Run 3/4" supply lines for **MAXIMUM** flow and install ACCESSIBLE hot and cold service stop valves to facilitate servicing.
- Be sure your installation conforms to all federal, state, and local codes.
 - Anti-scaled protection is the responsibility of the installer and according to applicable codes.
 - A water temperature limiting device is the responsibility of the installer and must be in accordance with ASSE 1070.
 - In the State of Massachusetts, all installations must comply with the rules and regulations set forth within 248 CMR.
- Inspect this product to ensure you have all the parts required for proper installation.
- Product is sold partially assembled but shown fully disassembled for illustrative and service purposes only.
- Use only a strap wrench or protected/smooth-jaw wrench on any finished surface.
- The use of certain plumber's putty may stain stone or tile surfaces.
- If further assistance is required, please contact Product Support at 1-800-927-2120 Monday through Friday, 8am - 6pm EST.
- Refer to the separate Service Parts Documents for available replacement parts.

WATERWORKS

INSTALLATION GUIDELINES

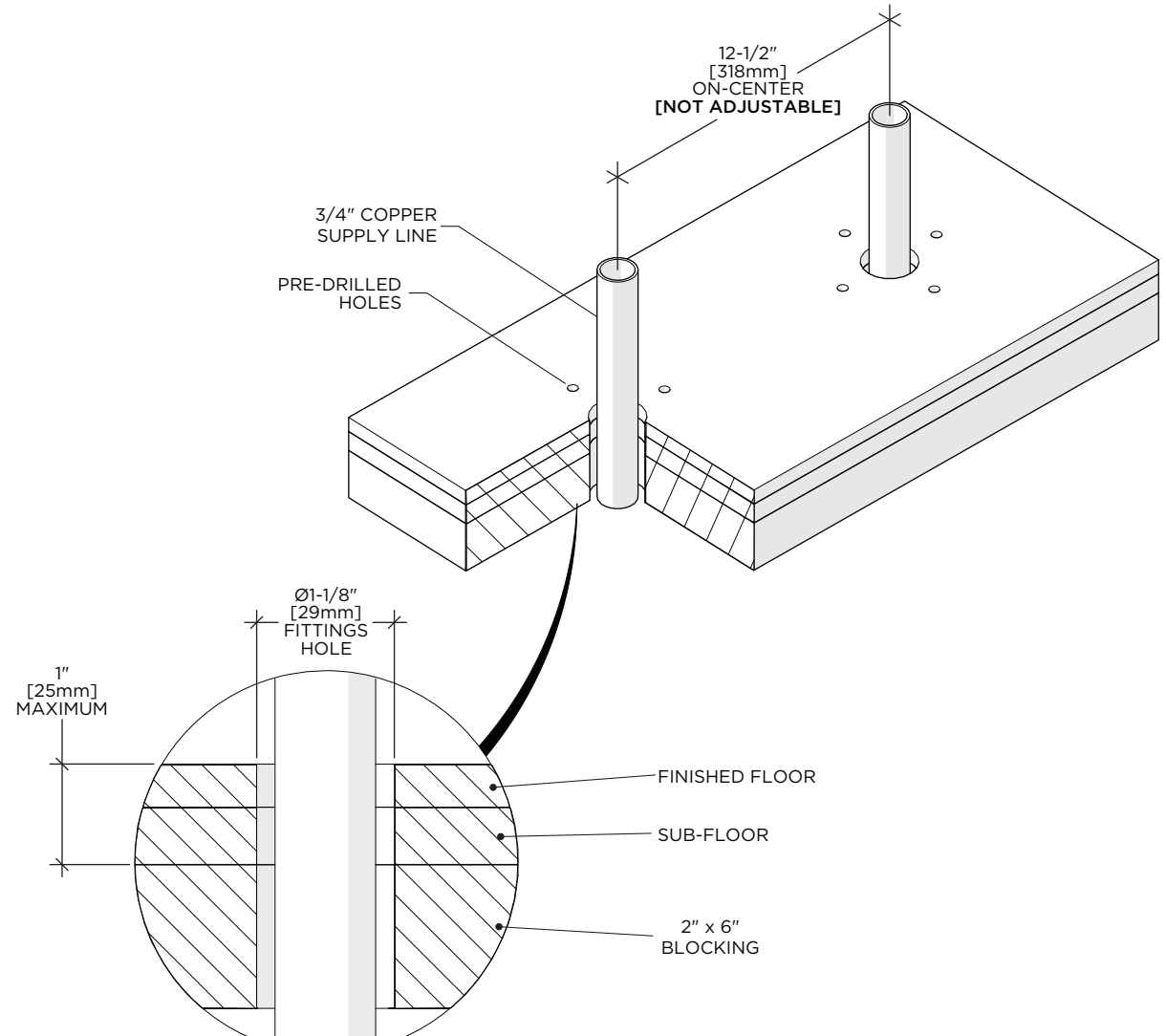
STYLE No. BXT360, BXT37A, BXT37B, BXT37C, BXT37D
Bond Floor Mounted Exposed Tub Filler with Handshower

TECHNICAL DETAILS:

DETAIL	SPECIFICATION
DIAMETER OF HANDSHOWER HEAD	2-1/8" [54mm]
HANDLE TURN ANGLE	QUARTER TURN
HOSE LENGTH	59" [1.5m]
INLET CONNECTION	3/4" COPPER SWEAT
INTEGRATED DIVERTER	YES
SPOUT REACH	7-7/8" [200mm]
WATER PRESSURE MAXIMUM	85psi [6.0 bar]
WATER PRESSURE MINIMUM	20psi [1.5 bar]
WATER PRESSURE RECOMMENDED	45psi [3.0 bar]

ROUGH-IN:

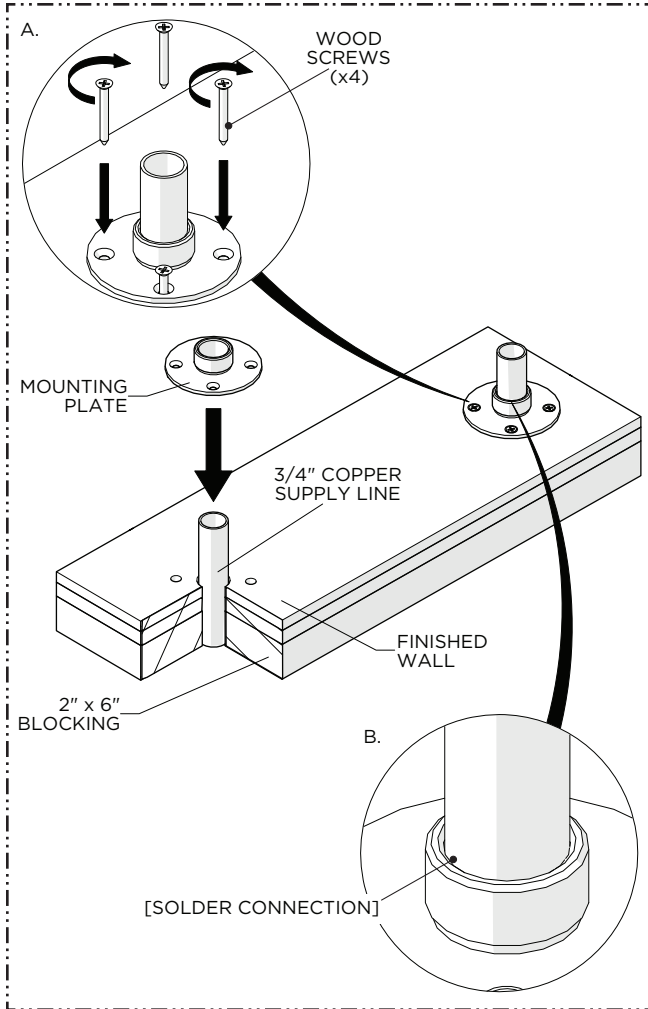
- Run well supported 3/4" hot and cold copper supply lines for **maximum** water flow. The 3/4" supply lines must be securely anchored/strapped below the sub-floor for proper support.
- Wood blocking should be no further than 1" from the finished floor for the MOUNTING SCREWS to create adequate support for the TUB FILLER.
- The inlet supply spread is 12-1/2" [318mm] on-center and is **NOT** adjustable.



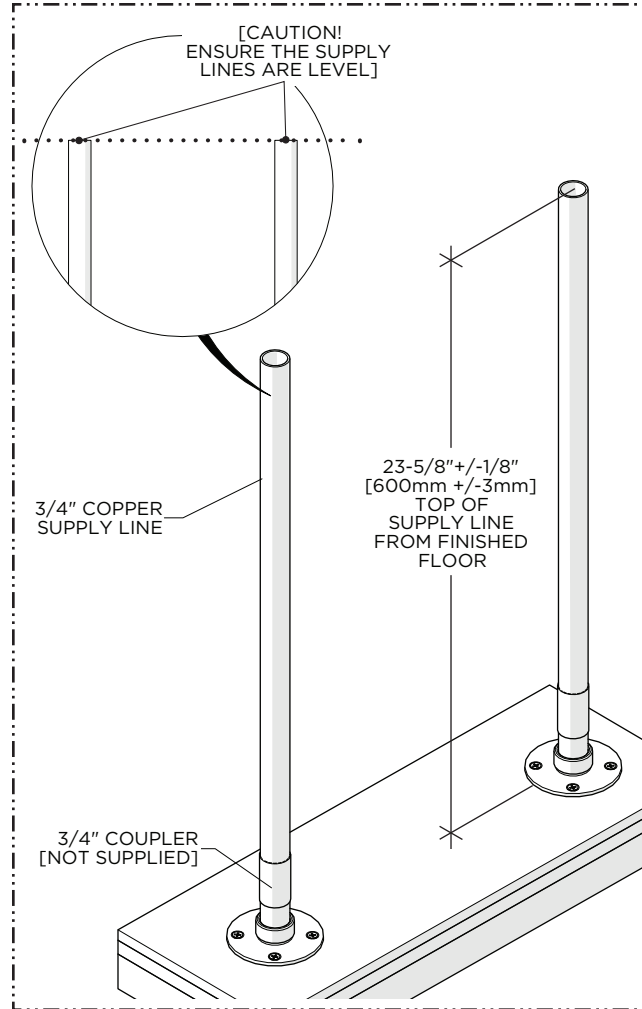
WATERWORKS

INSTALLATION GUIDELINES

STYLE No. BXT360, BXT37A, BXT37B, BXT37C, BXT37D
Bond Floor Mounted Exposed Tub Filler with Handshower

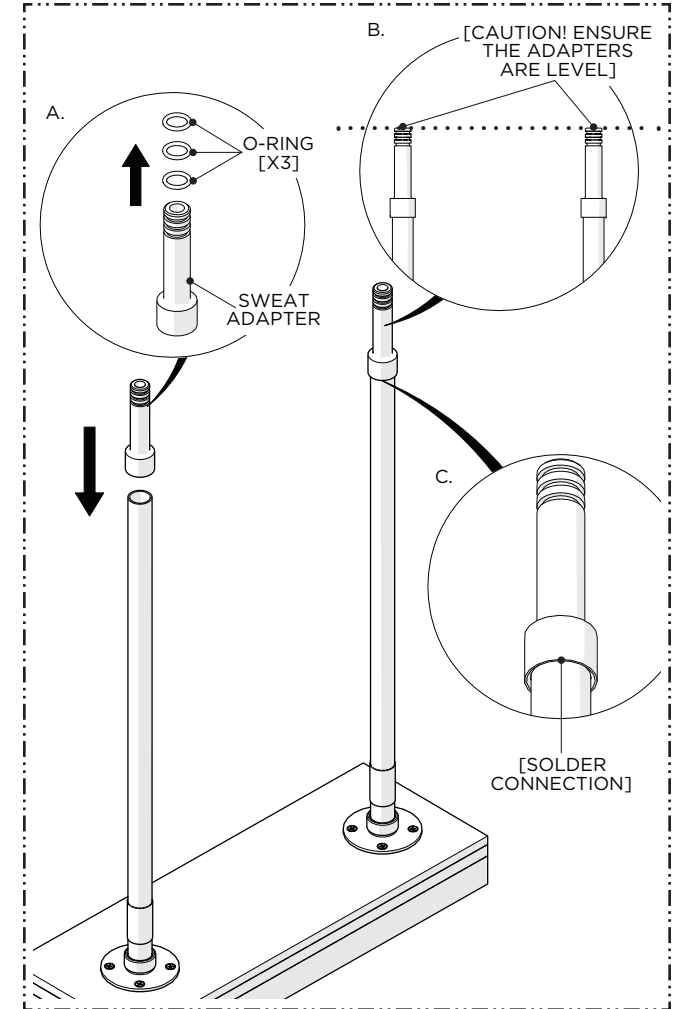


- Slide the MOUNTING PLATES over the SUPPLY LINES in the desired orientation then:
 - Secure each ESCUTCHEON using the SCREWS provided and
 - Solder the SUPPLY LINES to the inner diameter of the MOUNTING PLATES to ensure stability.



- Using 3/4" COUPLERS (not supplied), extend the supply lines to 20-7/8" [230mm] +/- 1/8" [3mm] above the finished floor.

NOTE: Ensure the SUPPLY LINES are level and free of any burrs.

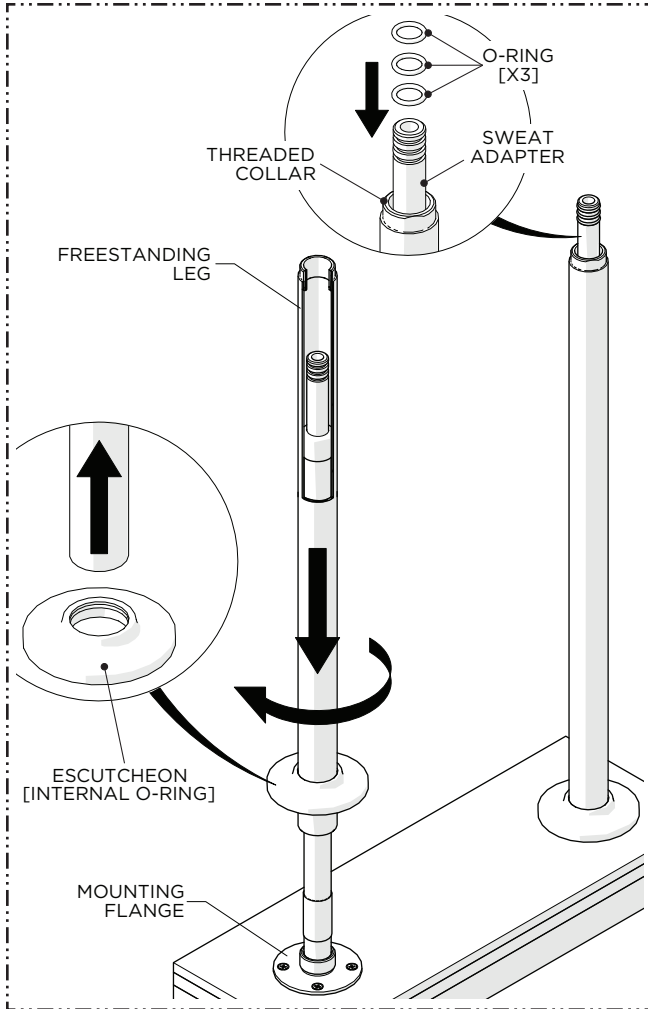


- CAUTION:** Remove the O-RINGS from the SWEAT ADAPTERS prior to soldering to prevent damaging them.
- Place the SWEAT ADAPTERS onto the SUPPLY LINES and ensure they are fully seated and level then solder the inner diameter of each ADAPTER to the SUPPLY LINE.

WATERWORKS

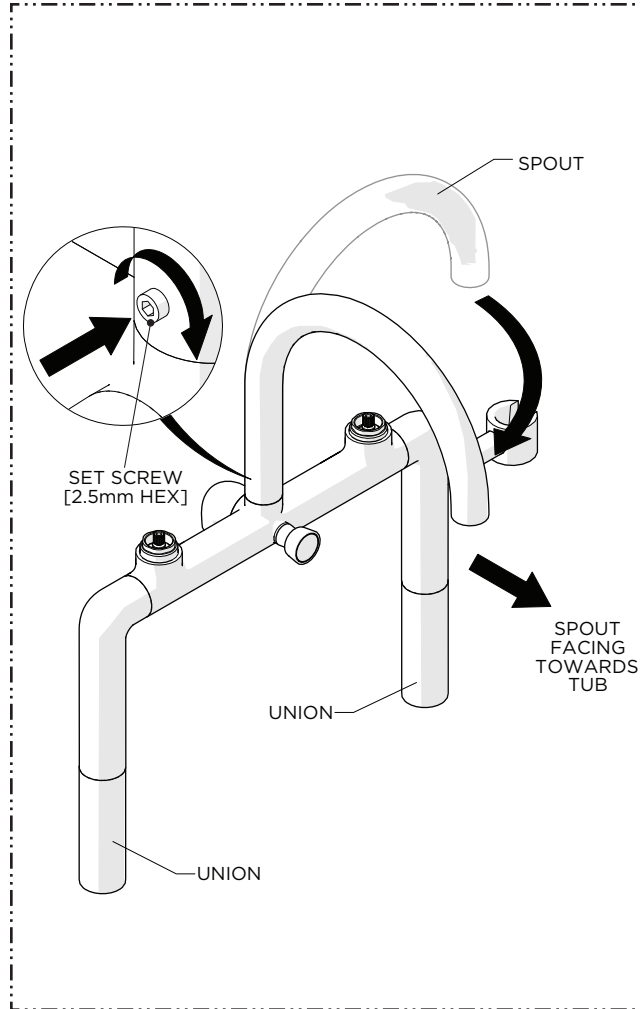
INSTALLATION GUIDELINES

STYLE No. BXT360, BXT37A, BXT37B, BXT37C, BXT37D
Bond Floor Mounted Exposed Tub Filler with Handshower

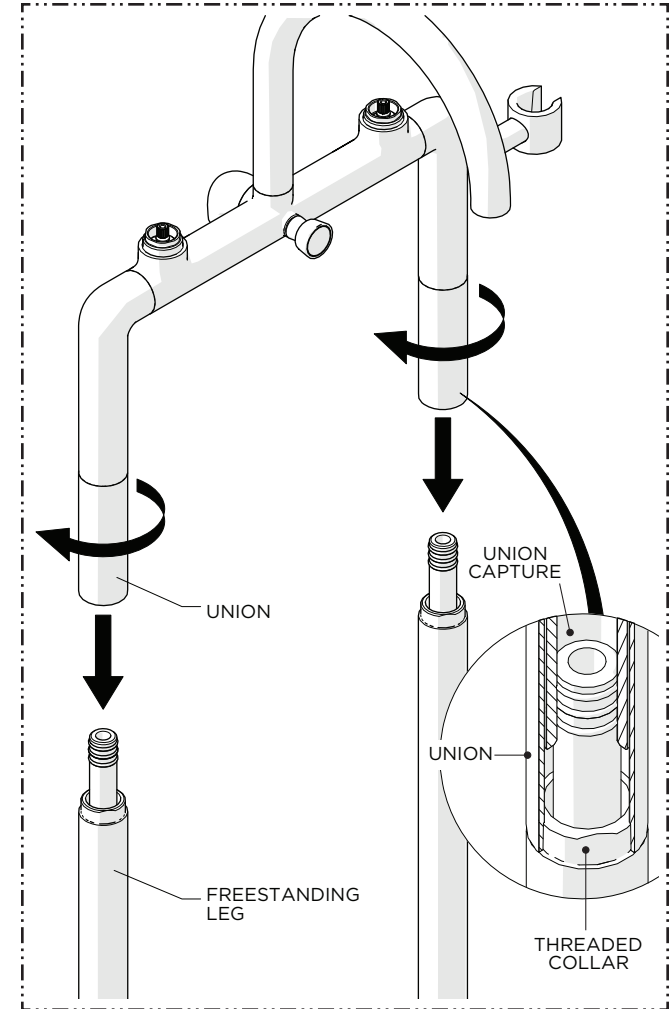


4. Slide the ESCUTCHEONS onto the FREESTANDING LEGS then slide the LEGS over the SUPPLY LINES and thread them onto the MOUNTING PLATES. Re-attach the O-RINGS onto the SWEAT ADAPTERS.

NOTE: Ensure the O-RINGS are not damaged and properly greased.



5. Align the SPOUT properly and securely tighten the SET SCREW at the base of the SPOUT.



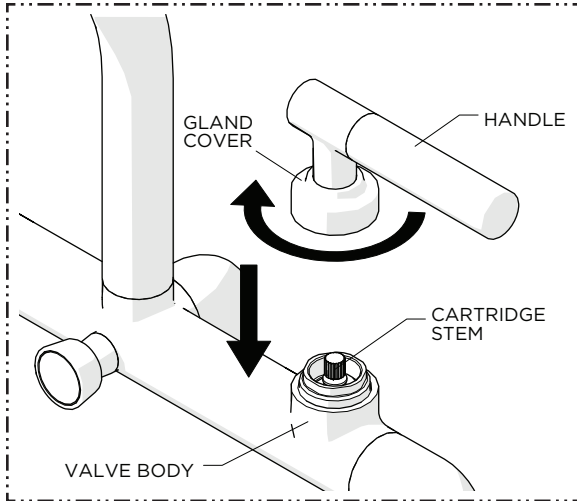
6. Slide the UNIONS onto the ADAPTERS and thread them onto the LEGS.

NOTE: Make sure to evenly thread and securely tighten the UNIONS onto the LEGS.

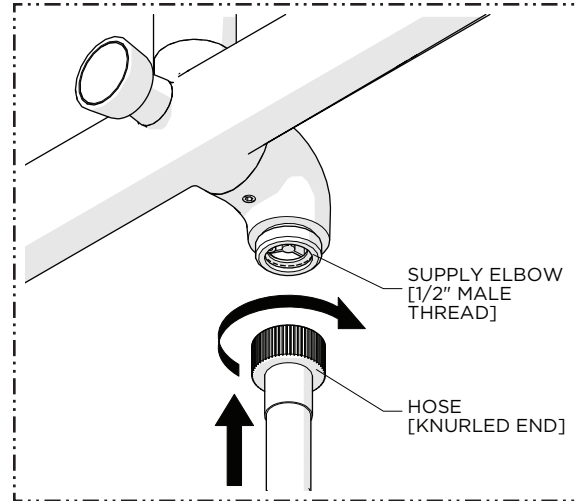
WATERWORKS

INSTALLATION GUIDELINES

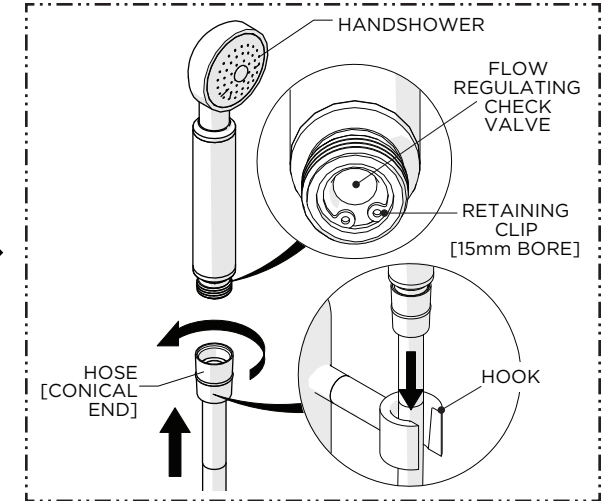
STYLE No. BXT360, BXT37A, BXT37B, BXT37C, BXT37D
Bond Floor Mounted Exposed Tub Filler with Handshower



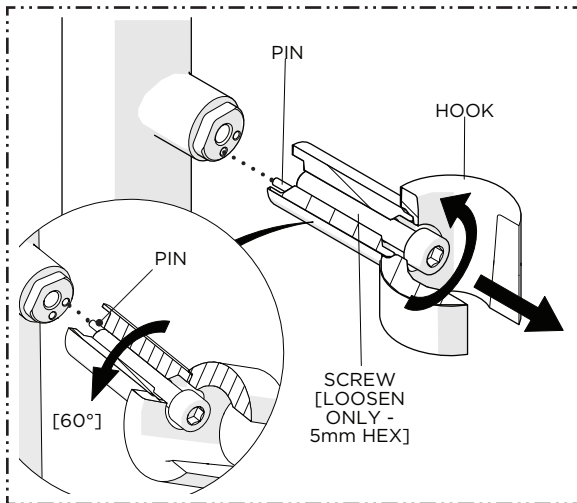
7. With the HANDLE in the desired position, place it over the CARTRIDGE STEM then thread the GLAND COVER onto the VALVE BODY.
- REPEAT THIS STEP TO INSTALL THE 2ND HANDLE.



8. Thread the KNURLED END of the HOSE to the SUPPLY ELBOW on the VALVE BODY.
- NOTE:** A CHECK VALVE is located inside the outlet of the ELBOW.

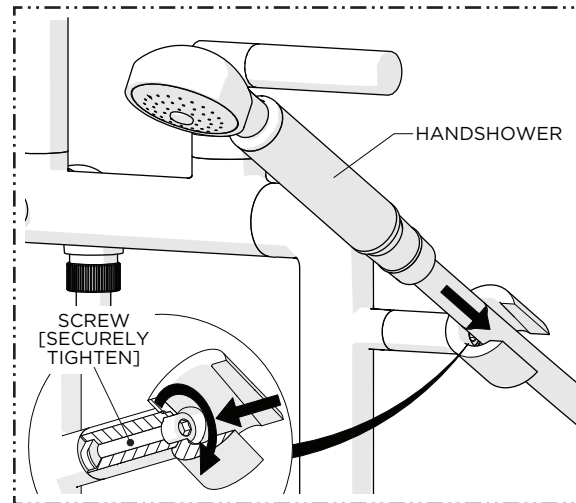


9. Thread the conical end of the HOSE to the HANDSHOWER then rest the HANDSHOWER on the HOOK.
- NOTE:** A FLOW REGULATING CHECK VALVE is located inside the inlet of the HANDSHOWER.



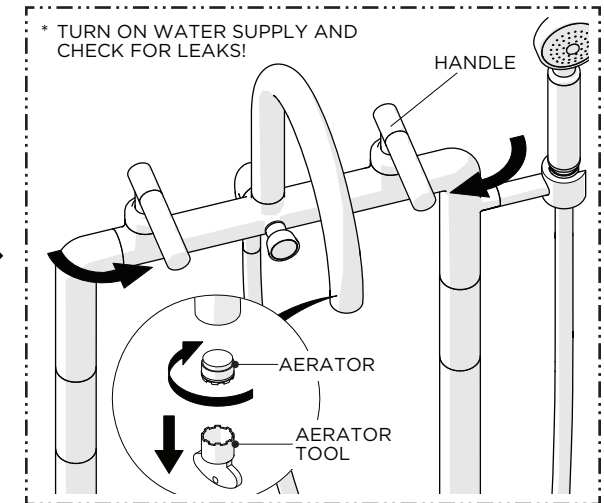
OPTIONAL HOOK ADJUSTMENT

10. Loosen, but do NOT remove, the SCREW and rotate the HOOK 60° to the second position.



OPTIONAL HOOK ADJUSTMENT [CONTINUED]

11. Re-tighten the SCREW then rest the HANDSHOWER on the HOOK making sure the HOSE is not obstructed.



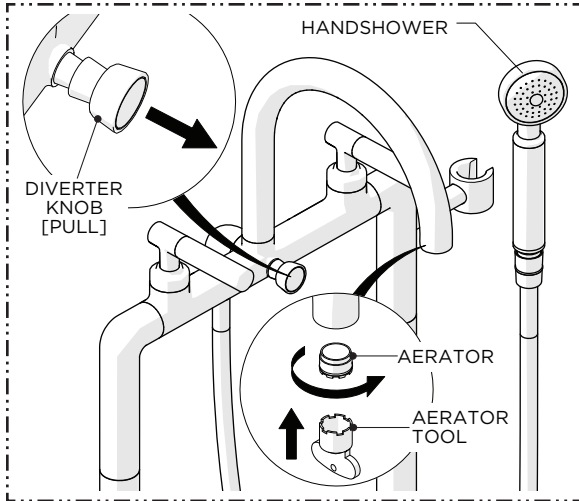
12. Remove the AERATOR using the TOOL provided then turn on the water supply and operate the HANDLES to flush out the supply lines and check all connections for leaks.

NOTE: Ensure the supply lines have been flushed before operating the DIVERTER KNOB.

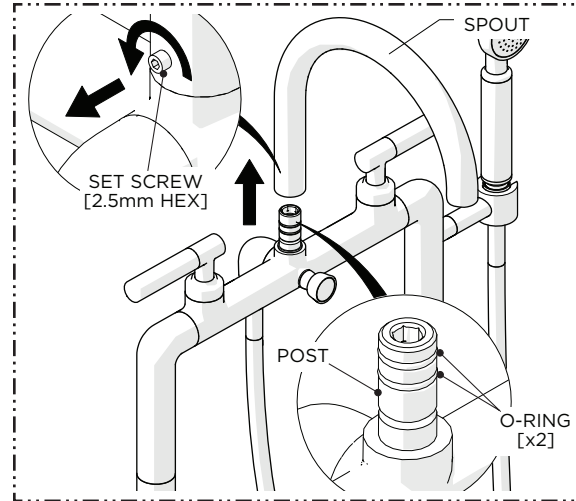
WATERWORKS

INSTALLATION GUIDELINES

STYLE No. BXT360, BXT37A, BXT37B, BXT37C, BXT37D
Bond Floor Mounted Exposed Tub Filler with Handshower

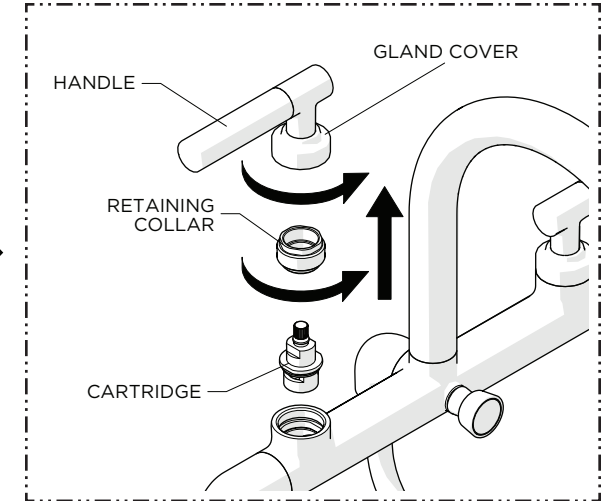


13. With water running, operate the DIVERTER KNOB to ensure it and the HANDSHOWER function properly then turn off the water and re-install the AERATOR.



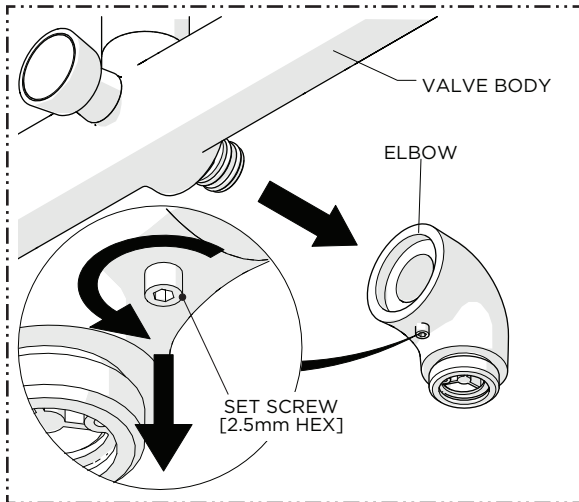
SERVICING THE SPOUT

1. Loosen, but do NOT remove, the SET SCREW at the base of the SPOUT then remove the SPOUT to expose the POST and external O-RINGS.



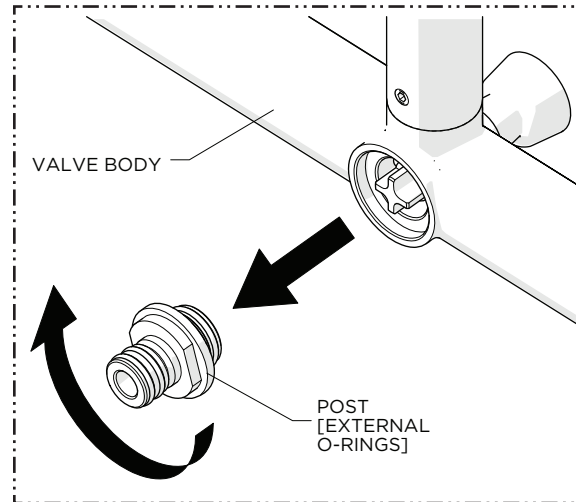
SERVICING THE CARTRIDGE

1. Unthread the GLAND COVER to remove the HANDLE, unthread and remove the RETAINING COLLAR, then remove the CARTRIDGE.

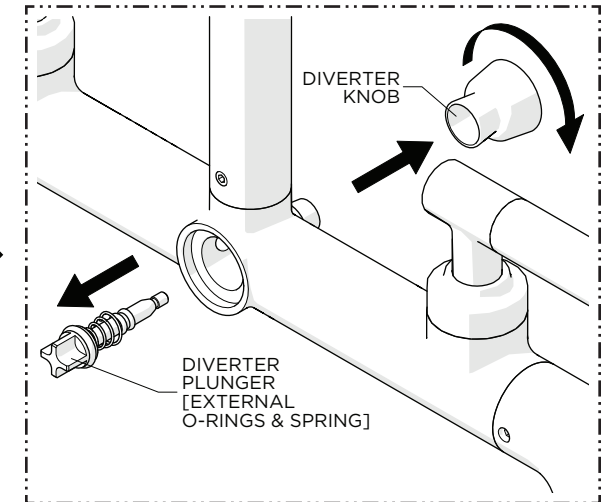


SERVICING THE DIVERTER

1. Loosen, but do NOT remove, the SET SCREW on the underside of the SUPPLY ELBOW then pull the ELBOW to remove it from the VALVE BODY.



2. Unthread and remove the POST from the VALVE BODY.



3. While holding the DIVERTER PLUNGER, unthread the KNOB from the PLUNGER then remove both parts.

NOTE: A pair of needle nose pliers may be used to hold the PLUNGER during removal.