



## Iron Plains® Round

Vessel bathroom sink

**K-20211-B**

### Features

- Small round basin.
- Overflow drain.

### Material

- KOHLER® enameled cast iron.
- Painted underside in Biscuit.

### Installation

- No faucet holes; requires wall-or counter-mount faucet.
- Vessel, drop-in, or under-mount.

### Recommended Products/Accessories

K-23726 Drain treatment  
K-23725 Cast iron cleaner



**ADA** **CSA B651** **OBC**

### Codes/Standards

ASME A112.19.1/CSA B45.2  
ADA  
ICC/ANSI A117.1  
CSA B651  
OBC

### Lifetime Limited Warranty for KOHLER® Cast Iron Components

See website for detailed warranty information.

### Available Colors/Finishes

*Color tiles intended for reference only.*

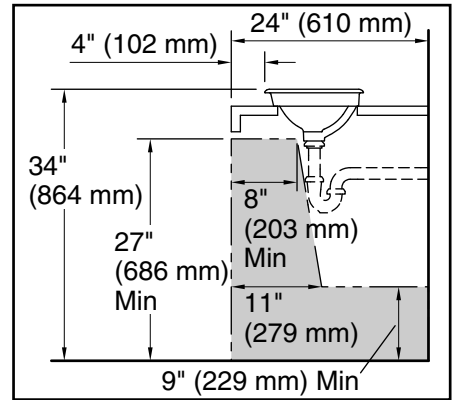
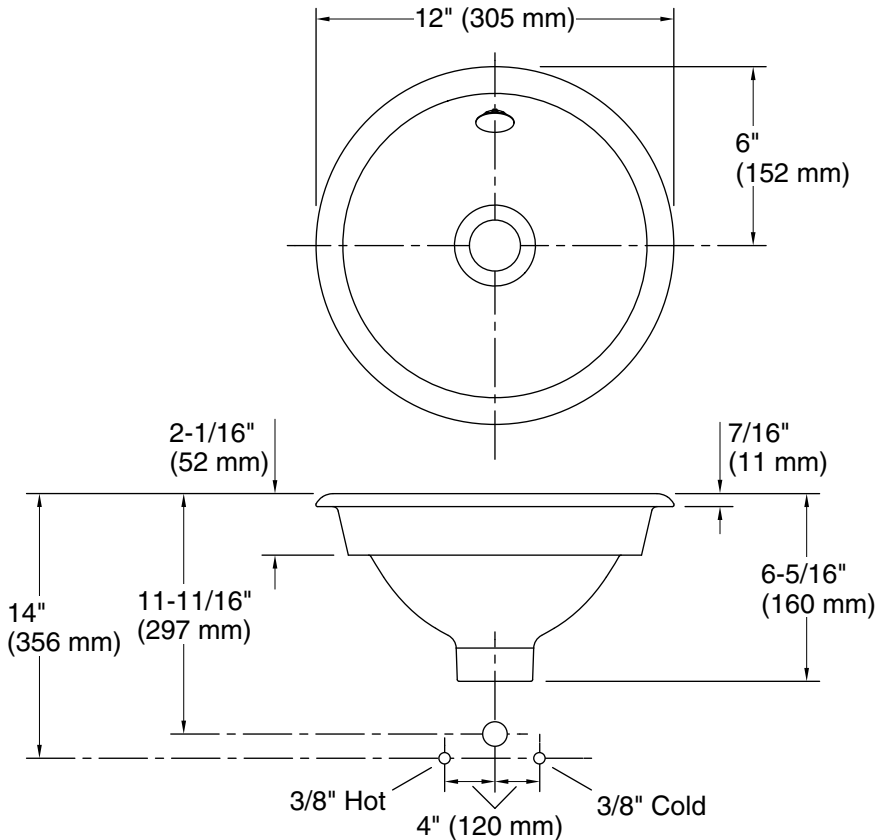
#### Color Code Description

 96 Biscuit

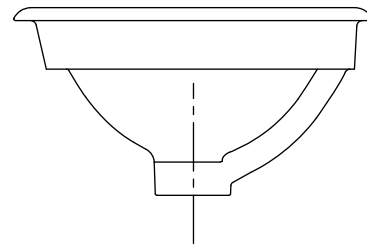


# Iron Plains® Round

Vessel bathroom sink  
**K-20211-B**



Recommended ADA Installation



## Technical Information

All product dimensions are nominal.

- Installation: Drop-in, Under-mount, Vessel  
Drain hole: 1-3/4" (44 mm)  
Template: 1319047-7, required, included

## Notes

Install this product according to the installation instructions.

**NOTICE:** Countertop manufacturer or cutter must use the cut-out template provided with the product, or a current one provided by Kohler Co. (call 1-800-4-KOHLER). Kohler Co. is not responsible for cutout errors when the incorrect cut-out template is used.

ADA, OBC, CSA B651 compliant when installed to the specific requirements of these regulations.