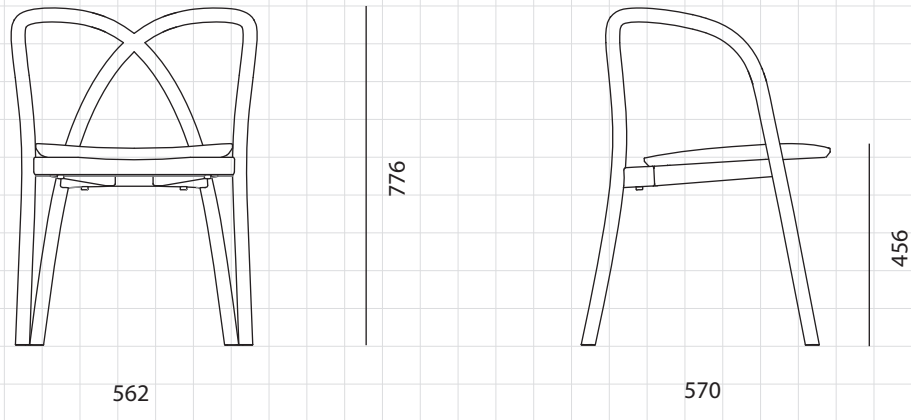


Ming Aluminum Chair



CODE
DIMENSIONS

MI-S221
W562 x D570 x H776mm
Seating height: 456mm

NET WEIGHT
ENVIRONMENT
MATERIALS

4.5 kg
Outdoor
Aluminum, Available in black/grey/white
*Please refer to website or contact your local representative for complete material swatches.

SHIPPING

Package	Assembled		
Package Qty	1 pcs/box		
Packaging	Measurement (mm)	Volume (cbm)	Gross Weight (kg)
FCL	W610 x D600 x H810	0.30	9.5
LCL/AIR	W630 x D620 x H830	0.32	14.0