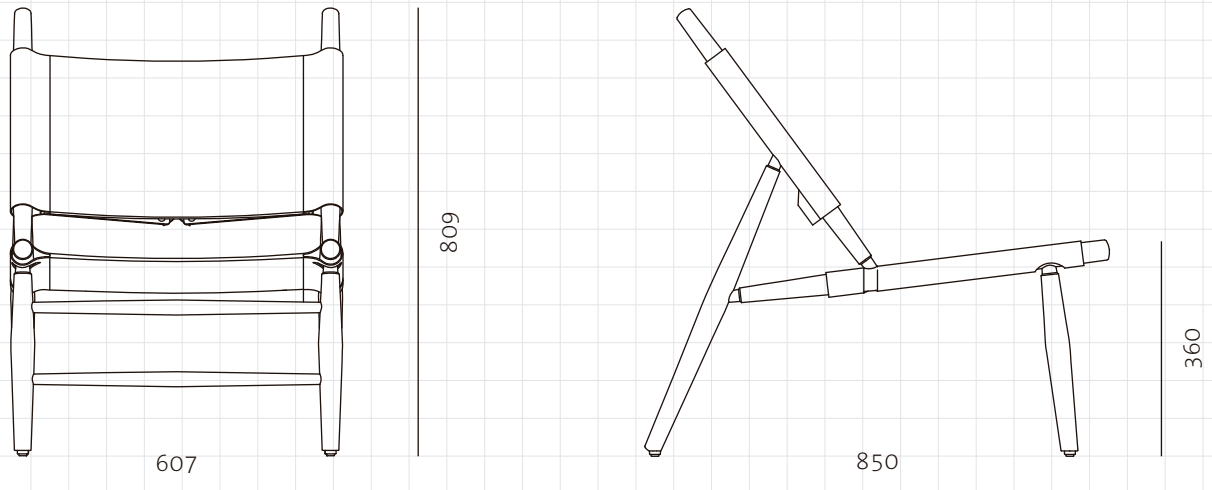


### Triangle Chair (1952)



**CODE**

VW-S110

**DIMENSIONS**

W607 x D850 x H809mm

**NET WEIGHT**

Seating height: 360mm

**ENVIRONMENT**

5.0 kg

**MATERIALS**

Indoor

Solid wood frame, Leather/saddle leather seat and back

\*Please refer to website or contact your local representative for complete material swatches.

**SHIPPING**

<b>Package</b>	Assembled		
<b>Package Qty</b>	1 pcs/box		
<b>Packaging</b>	<b>Measurement (mm)</b>	<b>Volume (cbm)</b>	<b>Gross Weight (kg)</b>
<b>FCL</b>	W672 x D915 x H894	0.55	13.0
<b>LCL/AIR</b>	W692 x D935 x H989	0.64	20.0