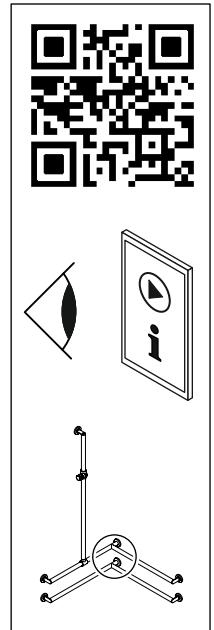


US Installation instructions

Contents

User information	3
Care and cleaning	3
Warning notices	4
Product information	5
Mounting	7
Demounting	12



Intended purpose

The HEWI rail system is designed for use in bathrooms. It provides a gripping option for persons with or without physical disability when they shower or take a bath.

Exclusion of liability

HEWI accepts no liability whatsoever for damage to persons or property that occurs or has occurred as a result of improper mounting or maintenance, particularly if the safety instructions and other points to note listed are not or have not been observed in full. HEWI accepts no liability whatsoever for damage occurring from incorrect cleaning.

Safety instructions

These instructions are intended for qualified skilled personnel and the user of the installed product. Following installation, the instructions must be made available to the user.

- Follow with the installation instructions and instructions for use.
- In case of questions, problems, uncertainties or if damage occurs, contact the HEWI support service.
- Ensure that the product is installed, maintained and repaired by qualified, skilled personnel only.
- Check the product for damage on acceptance. Report defects immediately.
- Install/use the product only:
 - in accordance with its intended purpose
 - in its original condition without modifications
 - in perfect condition
- Use original spare parts only.
- Use only HEWI fixing materials.
- Only use in closed rooms.

Cleaning



CAUTION!

Risk of injury

Improper cleaning can cause damage to the surface and lead to injuries.

- Clean the product as and when required.
- Follow the manufacturer's instructions regarding concentration, contact time, etc.
- Always apply the cleaning product on a cloth; do not apply it directly on the surface.
- Rinse with cold water immediately after cleaning.
- Note the material-specific information on suitable/unsuitable cleaning products.
- Try out all products on an inconspicuous area before use.
- Do not use any products with unknown composition.

Unsuitable cleaning products

- Abrasive products/objects (e.g. scouring agents, scourer sponges, brushes, steel wool, microfibres, dirt erasers)
- Alkaline, acidic and chlorine-based cleaning products, solvents
- Steam cleaners
- Do not treat metal components with objects containing iron (e.g. scourer sponge, steel wool).

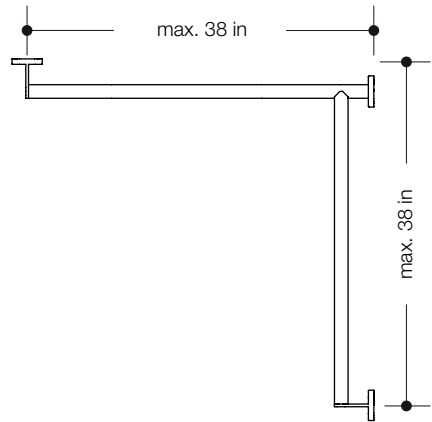
Disposal

Disposal of the product and packaging is subject to the relevant national regulations.

Warning notices

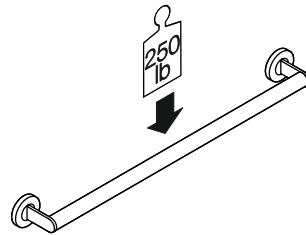
CAUTION! Risk of injury

Too wide support spacings will reduce the stability of the grab rail and wall supports and may lead to injuries due to falling. Observe maximum support spacings.



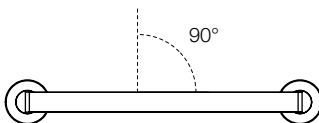
CAUTION! Risk of injury

Exceeding the maximum load of the grab rails may lead to injuries due to falling. Observe maximum load. Ensure that the wall structure and fixings permanently withstand the expected load. Lightweight construction walls must be appropriately lined at the back.



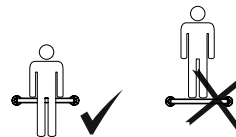
CAUTION! Risk of injury

Grab rails installed in any other than a horizontal position may lead to injuries due to slipping or falling. Install grab rails in a horizontal position.

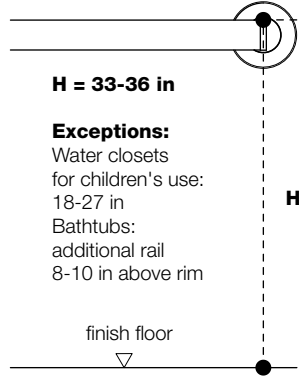
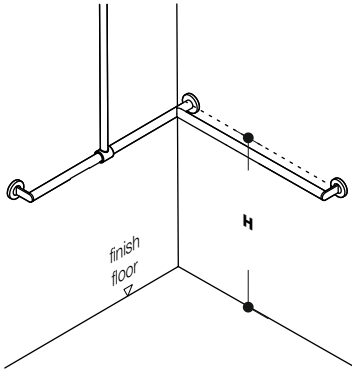
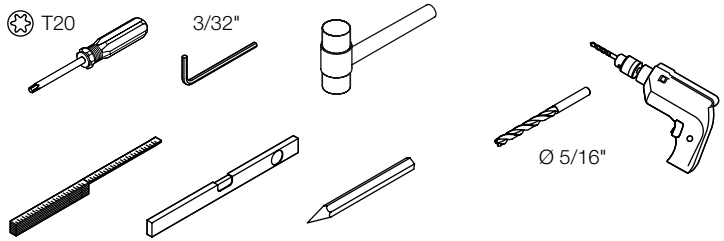


CAUTION! Risk of injury

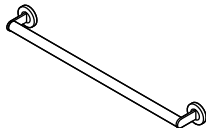
Any improper use, e.g. as a gymnastic apparatus or climbing aid, may lead to injuries due to slipping or falling. Use grab rails only for support.



Tools required

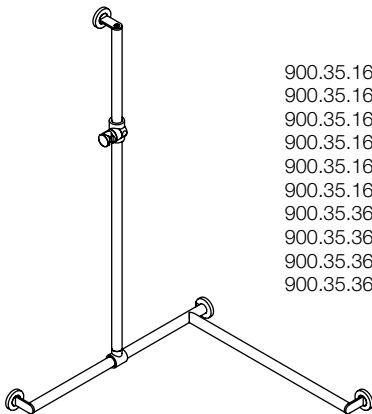


Product information



900.36.060...
900.36.061...
900.36.062...
900.36.063...
900.36.064...
900.36.065...
900.36.066...

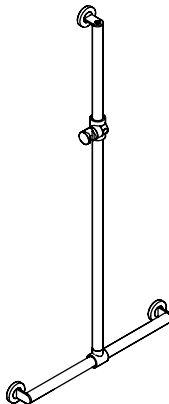
900.36.067...
900.36.068...
900.36.069...



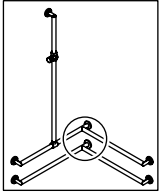
900.35.160...
900.35.163...
900.35.161...
900.35.164...
900.35.162...
900.35.165...
900.35.360...
900.35.362...
900.35.361...
900.35.363...



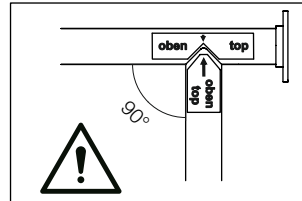
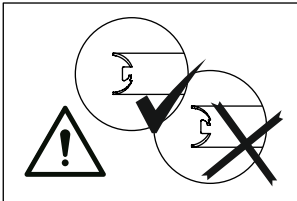
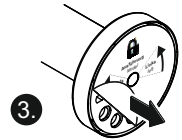
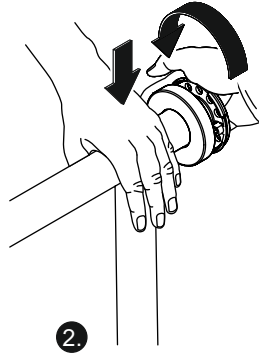
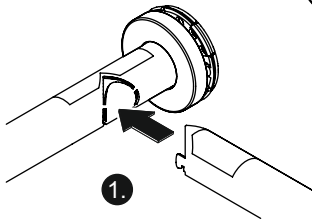
900.33.060...



900.35.460...
900.35.461...
900.35.462...

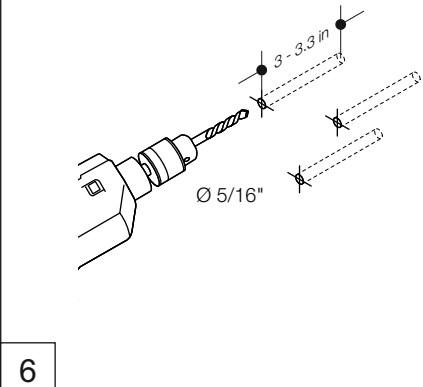
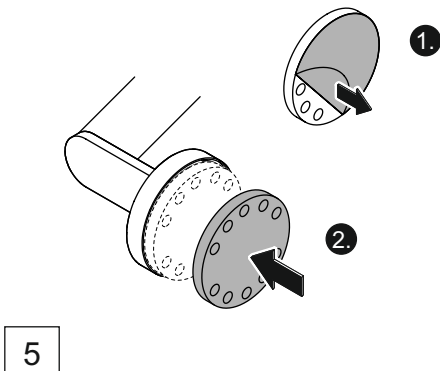
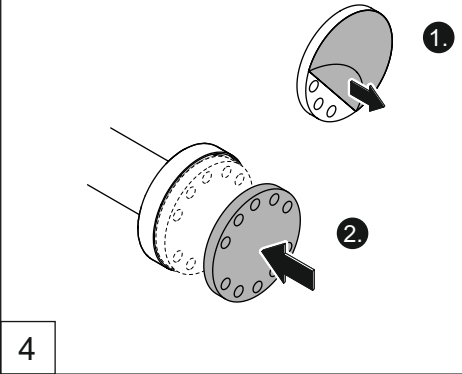
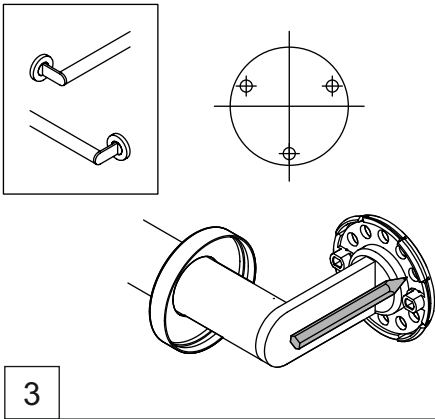
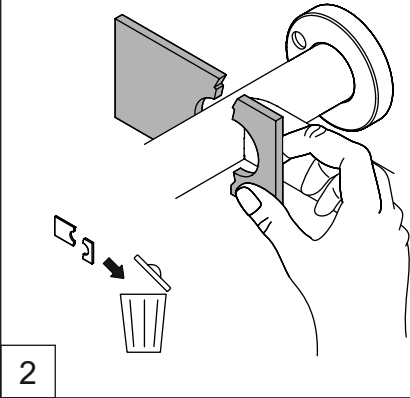
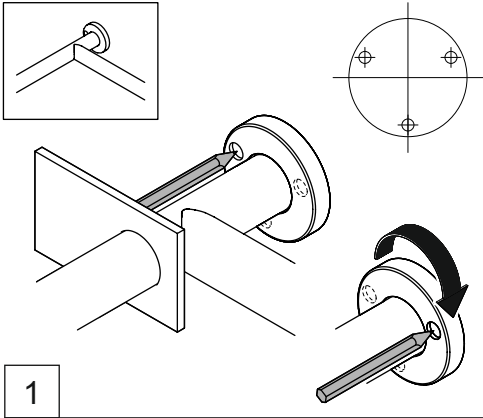


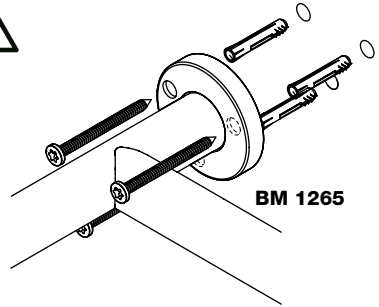
Example shown: right-sided version



When joining the rails, note the sticker and hold the rails at right-angles to each other.

Mounting

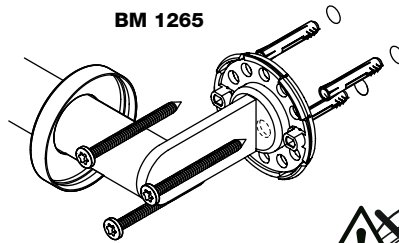




Use extended bit acceptances (approx. 4 in) for electric screwdrivers or similar as otherwise the chuck may damage the surface!

7

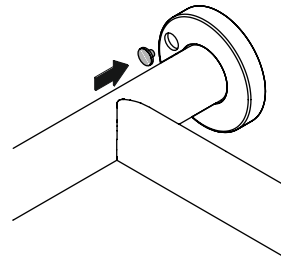
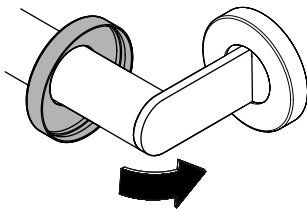
BM 1265



Use extended bit acceptances (approx. 4 in) for electric screwdrivers or similar as otherwise the chuck may damage the surface!



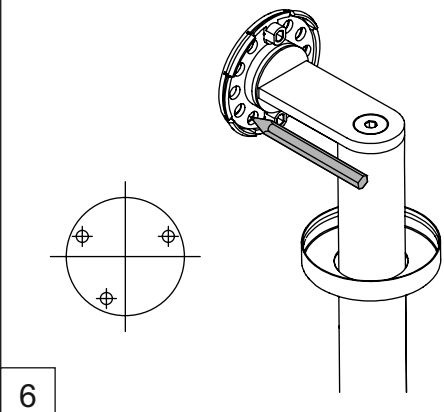
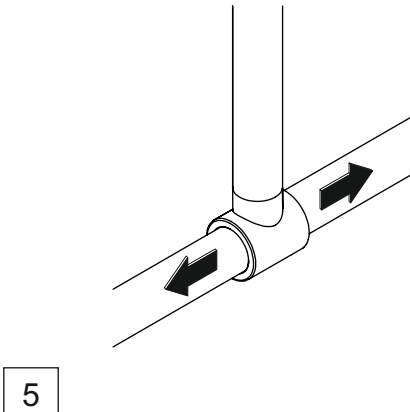
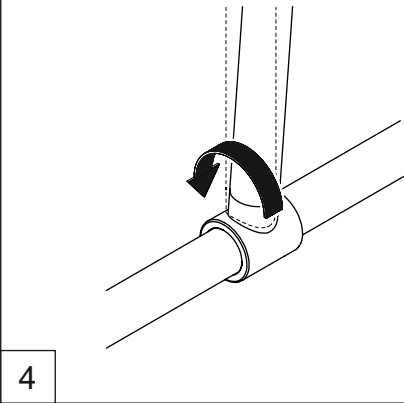
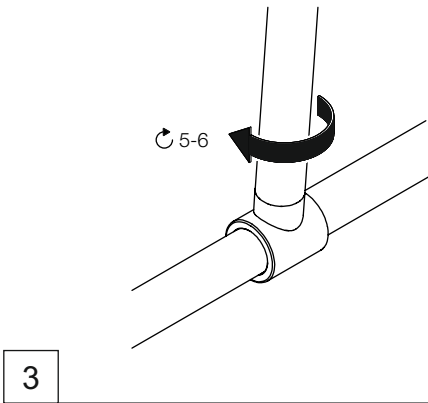
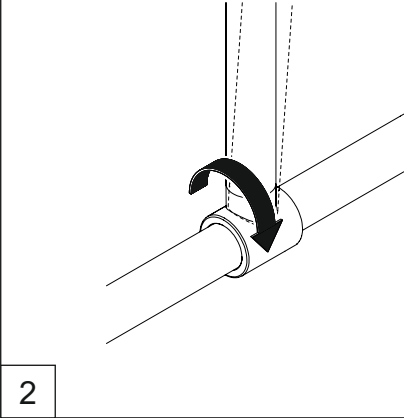
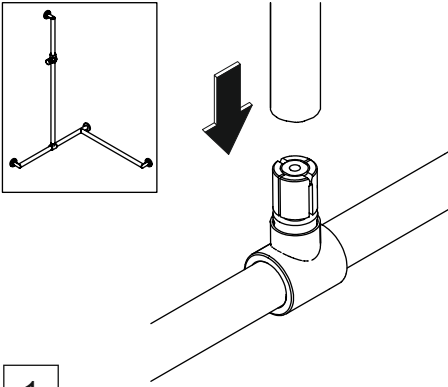
8

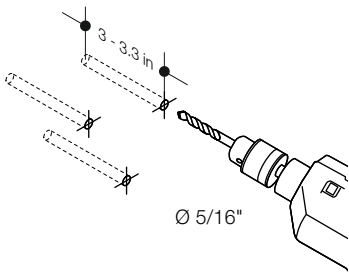


9

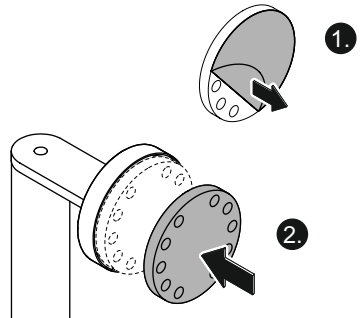
10

Mounting





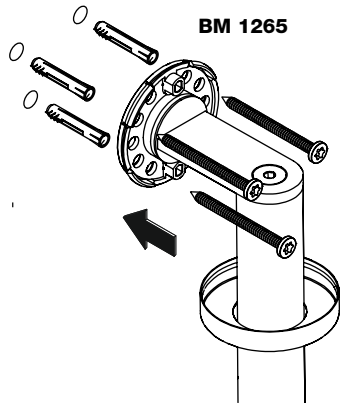
7



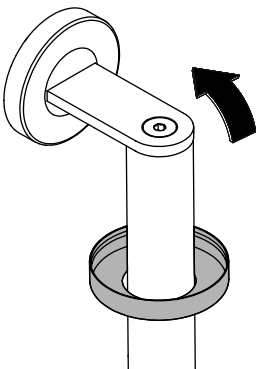
8



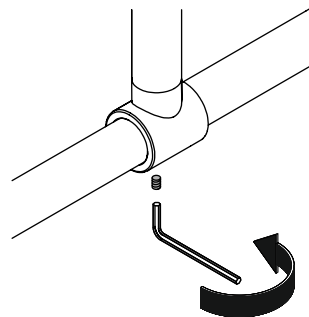
Use extended bit acceptances (approx. 4 in) for electric screwdrivers or similar as otherwise the chuck may damage the surface!



9

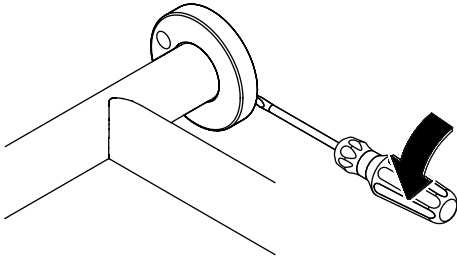


10



11

Demounting



1

HEWI

www.hewi.com

Deutschland

HEWI Heinrich Wilke GmbH

Postfach 1260

D-34442 Bad Arolsen

Telefon: +49 5691 82-0

Telefax: +49 5691 82-319

info@hewi.de