



ESTB. 1978

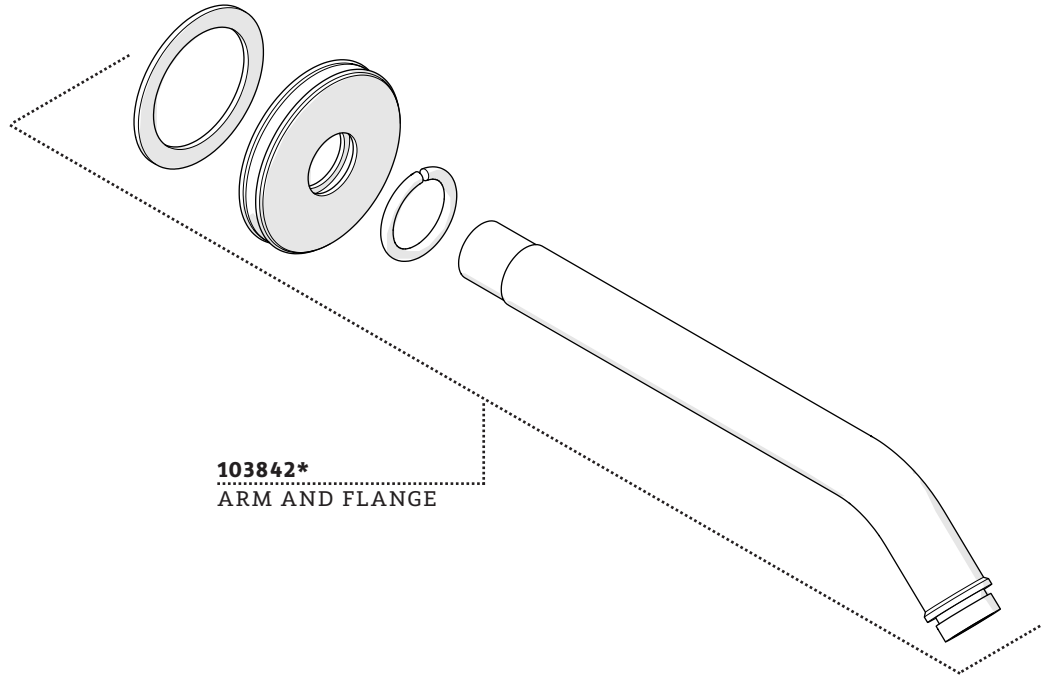
WATERWORKS

**SERVICE PARTS**

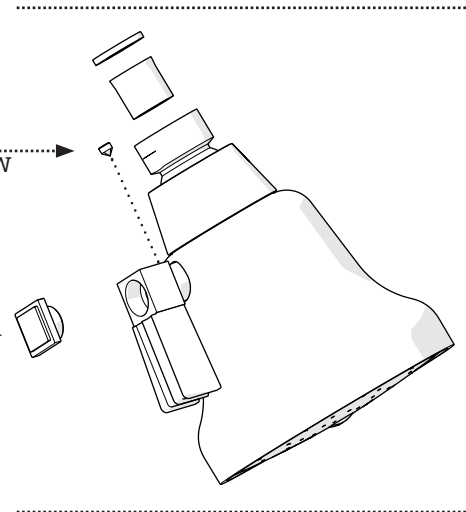
**STYLES: BDSH71**

\*FINISH/COLOR MUST BE SPECIFIED WHEN ORDERING  
++SUPPLIED AS A PAIR

DOCUMENT: SPBD05\_REV01



**103842\***  
ARM AND FLANGE



**103746**  
FASTENING SET SCREW

**103828\***  
BLANK INDICE

**103841\***  
SHOWERHEAD