



IB RUBINETTI

Collection

HERMES

Article

HR400

Description

Traditional built-in shower / stopcocks

Box Dimensions

175 x 125 x 90 mm

Weight

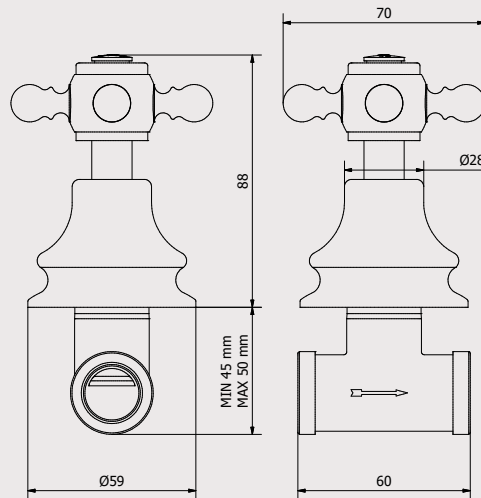
0.8 kg



Finishes

- **CC**
CHROME
- **CF**
BLACK CHROME
- **BG**
GLOSSY WHITE
- **NG**
GLOSSY BLACK
- **SS**
BRUSHED NICKEL
- **CS**
BRUSHED BLACK CHROME
- **BO**
MATT WHITE
- **NP**
MATT BLACK
- **OO**
GOLD
- **BB**
ANTIQUÉ BRONZE
- **II**
PALE GOLD
- **RR**
ANTIQUÉ COPPER
- **ORS**
ROSE GOLD
- **ON**
NATURAL BRASS
- **IS**
BRUSHED PALE GOLD
- **HH**
PVD CHOCOLATE

Dimensions



Headworks

IB G1/2" Ceramics Headworks

Treaded fitting

Treaded fitting G1/2" female

Aerator

Flow Rate (+/-10%)

**1 BAR
28 l/min**

**2 BAR
40 l/min**

**3 BAR
49.3 l/min**

Production

Main body is a single casted piece

Material

BRASS
According to CuZn35Pb2Al-B (CB752S)
Max Lead content:1.36%

IB RUBINETTERIE s.p.a
via dei Pianotti 3/5
25068 Sarezzo (BS) - Italy -

T. +39 030 802101
F. +39 030 803097
info@ibrubinetterie.it

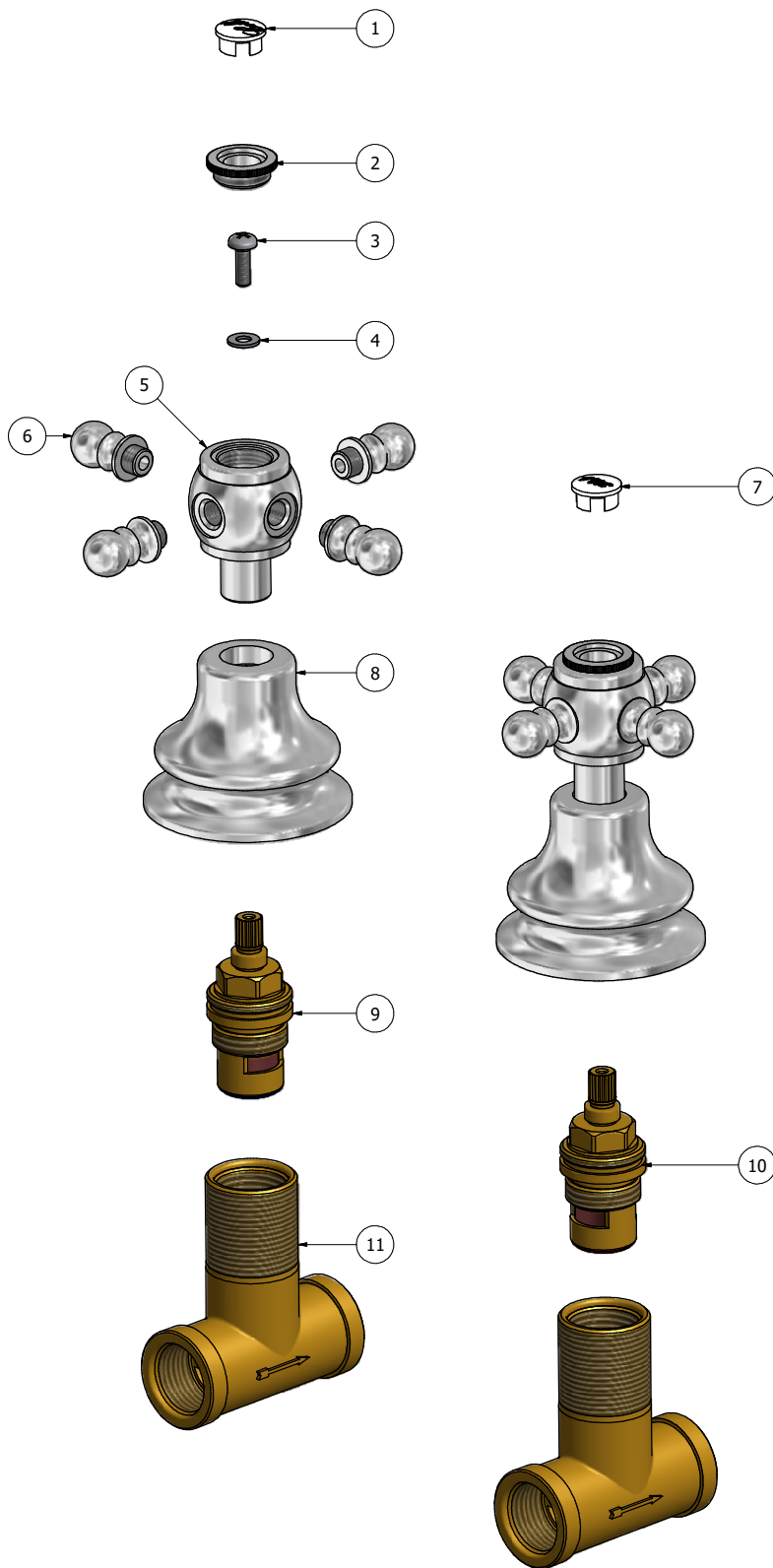
P.IVA 01785230986
capitale sociale
€420.000,00 i.v.

WWW.IBRUBINETTI.IT





IB RUBINETTI



Elenco parti			
EL	CODICE	NUMERO DI MAGAZZINO	QT
1	AQ0013552	Handle's plug cold	1
2	AQ0009069	Cover Ø20 PLS	2
3	AQ0010985	Inox screw M4x12	2
4	AQ0010229	Inox washer Ø4	2
5	AC0003095	Lever Ø31.5 M8x1 H42	2
6	AQ0006591	Pin for handle	8
7	AQ0013551	Handle's plug hot	1
8	AC0007131	Bell Ø58.5 W26x19 H44.5	2
9	AQ0003930	Ceramic headwork 90° right	1
10	AQ0002135	Ceramic headwork 90° left	1
11	CC0002005	Built-in stopcocks G1/2"	2

WARRANTY

All IB Rubinetterie SpA products are warranted for 10 years from the date of purchase, for the following cases:

- Defects of casting, porosity and chrome plating.
- Operating defects caused by incorrect fabrication.

The warranty provides for repair or replacement of products with fabrication defects recognized by our technical office. There is no other type of compensation anche the merchandise must be returned FOB our warehouse. The warranty only cover surface defects (scatches, dings, etc.) on fitting that have not been installed and used, returned in its original packaging with all components. O-ring, gasket seals and components subject to wear proportional to use are warranted for 2 years.

The warranty is void in the following cases:

Error installing and putting the product into service.

Deterioration of finished surfaces due to use of cleaning products containing acids or abrasive substances. Deterioration of surface with finishes other than chrome plating. Their durability is, in fact, dependent on the user's care and gentleness of use.

Deterioration of the fitting due incorrect installation.

Improper repairs and maintenance performed without the company's prior authorization.

The warranty from IB Rubinetterie SpA is not renewable.

Cleaning

We recommended cleaning the finish surfaces with water and soap, using a soft cloth.

Do not use detergents that contain hydrochloric acid or abrasive substances.

