



WE ARE IB

Collection

ELIO

Article

E0800_2

Description

Shower column with shower kit

Box Dimensions

1200x520x120 mm

Weight

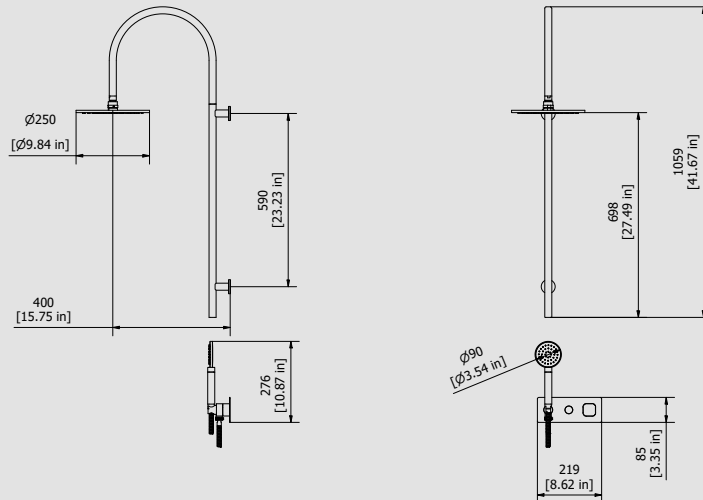
16.0 kg

Finishes

- **CC** CHROME
- **PL** PLATINUM
- **SS** BRUSHED NICKEL
- **ON** NATURAL BRASS
- **BO** MATT WHITE
- **NP** MATT BLACK
- **CF** BLACK CHROME
- **CS** BRUSHED BLACK CHROME
- **II** PALE GOLD
- **IS** BRUSHED PALE GOLD
- **RS** ROSE GOLD
- **SR** BRUSHED ROSE GOLD
- **OO** GOLD
- **OS** BRUSHED GOLD
- **RR** ANTIQUE COPPER
- **BB** ANTIQUE BRONZE



Dimensions



Cartridge

Ø35 ceramic cartridge

Threaded fitting

Inox hose G1/2" female L150mms

Aerator

Flow Rate (+/-10%)

1 BAR	2 BAR	3 BAR
10.6 l/m	15.4 l/m	19.1 l/m

Production

Main body is a machined from a solid pieces

Material

BRASS
According to CuZn39Pb3 (CW614N)
Max Lead content: 2.5%

IB RUBINETTERIE s.p.a
via dei Pianotti 3/5
25068 Sarezzo (BS) - Italy -

T. +39 030 802101
F. +39 030 803097
info@weareib.it

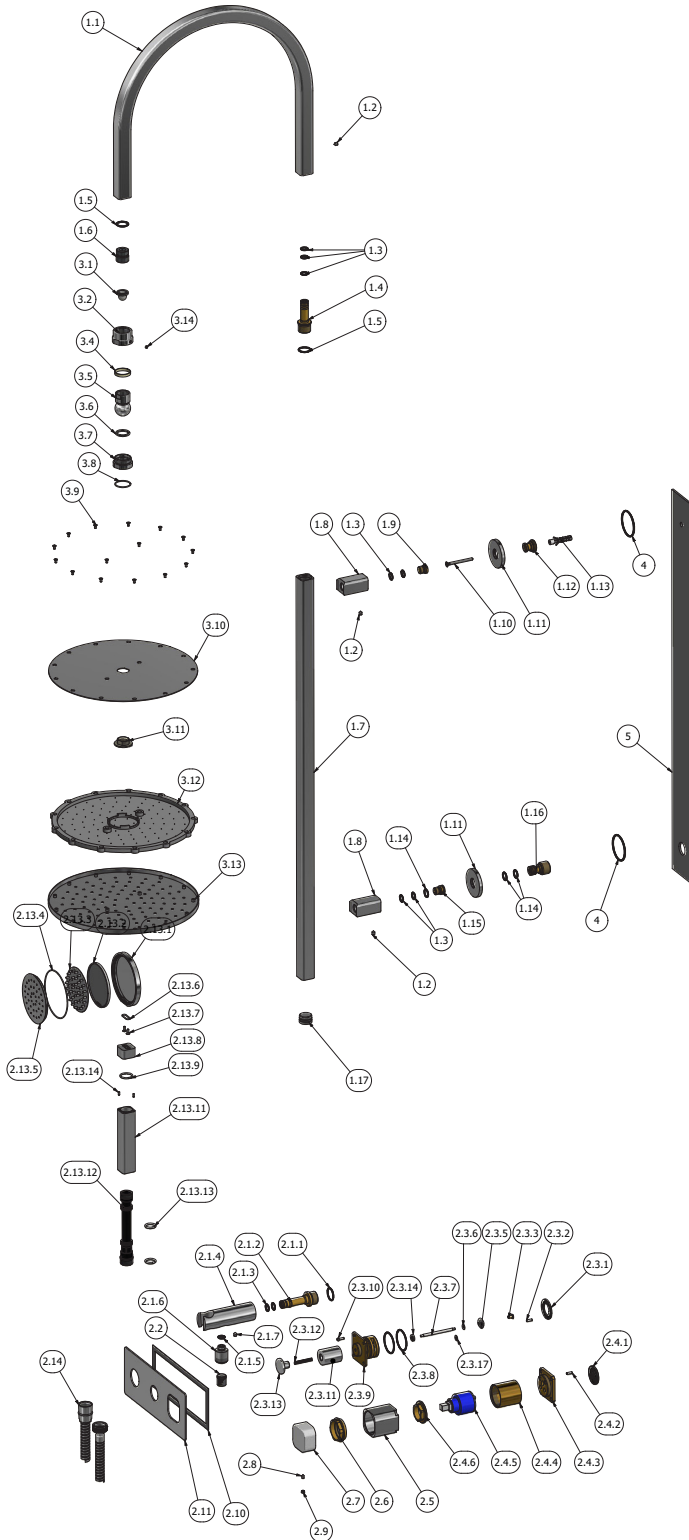
P.IVA 01785230986
capitale sociale
€420.000,00 i.v.

www.weareib.it





WE ARE IB



Parts list			
ELEM.	CODE	DESCRIPTION	QTÀ
1	CPEF801CCXN_1	Arm 24 x 24 int. 745.5 x 400	1
1.7	AC0016867	Shaft 24x24 L730 M16X1 F.	1
1.1	AC0016868	Arm 24x24 R175 M16X1 F.	1
1.2	AQ0014670	Grubscrew M5x6 cone point	3
1.9	AS0016872	Plug Ø13.7 M12x1M H13	1
1.12	AS0016869	Insert G1/2M H18	1
1.13	AQ0016860	Dowel fisher Ø8 L40	1
1.8	AC0016873	Support 24x24 H38	2
1.10	AQ0016826	Inox screw Ø4 L50	1
1.3	AQ0004180	OR 9.25x1.78 NBR 70 SH	7
1.11	AC0016803	Rosette Ø48 H5.5 G1/2F.	2
1.16	AS0016870	Insert H2o G1/2M H34.5	1
1.15	AS0016871	Insert Ø13.7 M12x1M H16	1
1.17	AQ0014617	Plug G1/2" short	1
1.4	AC0011577	Connection piece for spout-out G1/2" L55	1
1.5	AQ0009841	OR 17x2 NBR 70 SH	2
1.6	AC0011046	Connection G1/2" M20x1 H20 CH10	1
1.14	AQ0001350	OR 11.11x1.78 NBR 70 SH	3
2	EO313CCN_2	External 313 man.42x42 corallo	1
2.5	AC0016809	Square ring 42x42 H44.2	1
2.6	AS0016807	Ring Ø40 M30x1.5 F.	1
2.4	CP300CCXN_19	Pre assemble mixer 47x47 x recessed	1
2.4.1	AQ0015684	Gasket Ø31 H3.5 Ø7 Ø7.5	1
2.4.3	AS0013040	Insert 47x47 H11 M37x1.5	1
2.4.2	AQ0015357	Grubscrew M3x10 flat point	1
2.4.4	AS0016810	Ring for recessed shower mixer	1
2.4.5	AQ0013271	Ceramic cartridge KRJ 35A 9x9	1
2.4.6	AS0016806	Cartridge ring nut	1
2.8	AQ0010444	Grubscrew M4x6 cone point	1
2.10	AQ0014142	Rubber packing double-sided tape 200x75x8.1	1
2.3	CPDEV24CCXN_1	Diverter	1
2.3.7	AL0011819	Diverter's rod Ø4 M3 L64.5	1
2.3.5	AQ0013871	Biconic rubber Ø17x3.75x8	1
2.3.3	AS0011816	Screw M3 L9	1
2.3.12	AQ0013884	Spring De5, D4.2, D10.4, St15, Lc38	1
2.3.9	AS0013043	Diverter body 47x47 H34.8	1
2.3.2	AQ0015357	Grubscrew M3x10 flat point	1
2.3.6	AS0011839	Washer UNI 6593 M3	1
2.3.8	AQ0008026	OR 33.05x1.78 NBR 70 SH	2
2.3.10	AQ0012206	Inox screw M3x10	1
2.3.13	AC0013041	Knob Ø28 H17 M3 F	1
2.3.11	AC0013054	Ring Ø26 M22x1 F H33	1
2.3.1	AQ0015685_1	Rubber Ø33.8 Ø21 H2.5	1
2.3.14	AQ0016708	Gaco Ø10.7 Ø3.4 H3 x asta Ø4	1
2.3.15	AQ0007122	OR 3.69x1.78 NBR 70 SH	1
2.3.16	AQ0009727	Antifluid ring Ø7 H2.5	1
2.3.17	AS0011840	Washer UNI 6592 M4	1
2.1	CPSUPCCXN_1	Handshower support Ø30 L95	1
2.1.2	AS0013051	Bayonet coupling G1/2" M H64.9	1
2.1.7	AQ0014670	Grubscrew M5x6 cone point	1
2.1.1	AQ0004640	OR 18.77x1.78 NBR 70 SH	1
2.1.3	AQ0004180	OR 9.25x1.78 NBR 70 SH	2
2.1.5	AQ0001340	OR 8.73x1.78 NBR 70 SH	1
2.1.4	AC0013053	Hand shower's support Ø30 L94.8	1
2.1.6	AC0013052	Reduction G1/2" M M12x1 M H20.5	1
2.2	AQ0013247	Flow reduction+CV Ø15 4L	1
2.11	AC0016823	Plate 219x85x2	1
2.9	AQ0012203	Plug	1
2.7	AC0016802	Handle 42x42 H21.5 coral	1
2.13	CPEF090CCXN1	Square hand shower 24x24 H214	1
2.13.11	AC0016812	Grip 24x24 H.110.5	1
2.13.8	AC0016811	Connection 24x24 M20X1 H16	1
2.13.1	AQ0016231_3	Handshower head Ø90	1
2.13.5	AQ0016231_1	Diffuser holder flange	1
2.13.12	AQ0016231_9	Insert for handshower G1/2"	1
2.13.7	AQ0016231_6	Screw inox M3x8 TSP DIN7991	2
2.13.3	AQ0016231_2	Shower diffuser	1
2.13.6	AQ0016231_4	OR12x1.5 NBR 70 SH	1
2.13.2	AQ0016231_10	Diffuser press cover	1
2.13.9	AQ0016231_7	OR 18x2 NBR 70 SH	1
2.13.13	AQ0016231_8	OR 13.95x2.62 NBR 70 SH	2
2.13.4	AQ0016231_11	OR 80x1.3 NBR 70 SH	1
2.13.14	AQ0012230	Stainless steel pin Ø2.5x6	2
2.14	AQ0003120	Hose G1/2" F G1/2" cone L150	1
2.15	AQ0003120	Hose G1/2" F G1/2" cone L150	1
3	AQ0010701	Shower head Ø250	1
3.13	AQ0010701_13	Diffuser flange Ø250	1
3.12	AQ0010701_12	Diffuser	1
3.10	AQ0010701_10	Plate Ø247.5 th.1	1
3.11	AQ0010701_11	Injector insert Ø30	1
3.7	AQ0010701_7	Threaded insert Ø32 H15	1
3.5	AQ0010701_5	Sphere Ø26 G1 / 2F	1
3.2	AQ0010701_2	Ring nut Ø34 H20	1
3.1	AQ0010701_1	Gasket Ø19 th.3 with filter	1
3.9	AQ0010701_9	Screw inox M3x6 TSP UNI 7991	15
3.4	AQ0010701_4	Ring	1
3.8	AQ0010701_8	OR 24x1.5 NBR 70 SH	1
3.6	AQ0010701_6	OR 18x3 NBR 70 SH	1
3.14	AQ0010701_3	Grub screw inox M4x3 p.p.	1
4	AQ0013363	OR 41x2 NBR 70 SH	2
5	AS0017084	Template 690x70	1



WARRANTY

All IB Rubinetterie SpA products are warranted for 10 years from the date of purchase, for the following cases:

- Defects of casting, porosity and chrome plating.
- Operating defects caused by incorrect fabrication.

The warranty provides for repair or replacement of products with fabrication defects recognized by our technical office. There is no other type of compensation anche the merchandise must be returned FOB our warehouse. The warranty only cover surface defects (scatches, dings, etc.) on fitting that have not been installed and used, returned in its original packaging with all components. O-ring, gasket seals and components subject to wear proportional to use are warranted for 2 years.

The warranty is void in the following cases:

Error installing and putting the product into service.

Deterioration of finished surfaces due to use of cleaning products containing acids or abrasive substances. Deterioration of surface with finishes other than chrome plating. Their durability is, in fact, dependent on the user's care and gentleness of use.

Deterioration of the fitting due incorrect installation.

Improper repairs and maintenance performed without the company's prior authorization.

The warranty from IB Rubinetterie SpA is not renewable.

Cleaning

We recommended cleaning the finish surfaces with water and soap, using a soft cloth.

Do not use detergents that contain hydrochloric acid or abrasive substances.

