

BOULEVARD

BDTH58

Boulevard Metal Lever Handle Thermostatic with Metal Cross Handle Shutoff Trim



SHOWN IN BOULEVARD METAL LEVER HANDLE THERMOSTATIC WITH METAL CROSS HANDLE SHUTOFF TRIM| BDTH58

TECHNICAL DETAILS

Control Valve Rough-in Depth Maximum: 7 3/16"
Control Valve Rough-in Depth Minimum: 1 7/8"
Escutcheon Primary Material: Brass
Depth / Width: 2 15/16"
Height: 10 3/4"
Integrated Diverter: N
Length: 6 15/16"
Primary Material: Brass
Suggested Application: Bath

INSPIRATION

Inspiration from 1930s objects evokes extravagance: a strong silhouette, lavish scale and elegant decoration. Machine and artisan hands yield crisp details and curves.

CODES & STANDARDS

Code # BDSV58: ASME A112.18.1, CSA B125, IAPMO, State of MA

PRODUCT FEATURES

Metal cross and lever handles
Allows bather to adjust temperature of all waterway outlets with a hot limit safety stop providing anti-scald protection
Solidly sized and generous in scale, decorative elements convey a sense of substance
Stocked in Nickel and Unlacquered Brass
Requires rough valve, sold separately: GUTH46 (US) / GU46TH (UK)

CERTIFICATIONS



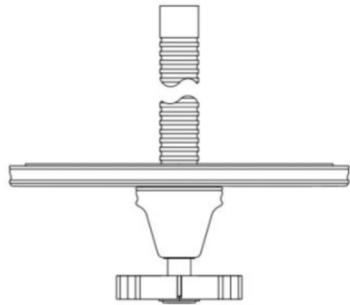
PRODUCT (NOTES)

Valve sold separately.

BOULEVARD

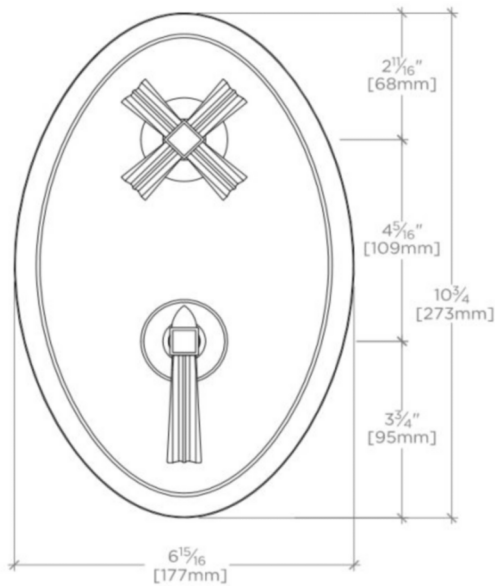
BDTH58

Boulevard Metal Lever Handle Thermostatic with Metal Cross
Handle Shutoff Trim



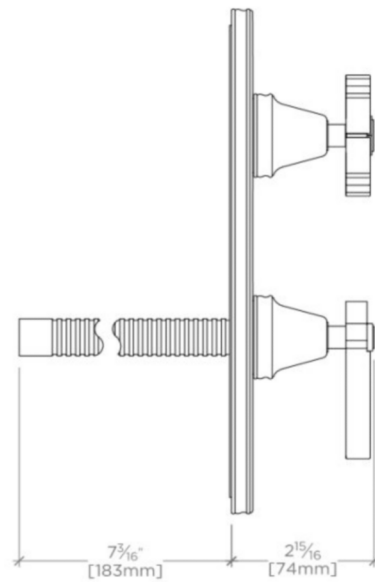
TOP VIEW

SCALE: 3"=1'-0"



FRONT VIEW

SCALE: 3"=1'-0"



SIDE VIEW

SCALE: 3"=1'-0"