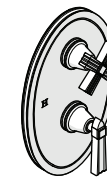


INSTALLATION GUIDELINES



STYLE No. BDTH58

Boulevard Metal Lever Handle Thermostatic with Metal Cross Handle Shutoff Trim

IMPORTANT:

- To ensure this product is installed properly, you must read and follow these guidelines.
- The owner/user of this product must keep this information for future reference.
- This product must be installed by a professional licensed contractor and must be onsite prior to rough-in, this allows the installer to visualize the installation.
- Be sure your installation conforms to federal, state, and local codes. In the State of Massachusetts, all installations must comply with the rules and regulations set forth within 248 CMR.
- This product **MUST BE** installed vertically as shown and **CANNOT** be installed horizontally. This product is intended to work with the Universal Thermostatic Valve with Integrated Volume Control Valve (Style No. GUTH46).
- **WARNING:** GUTH46 features anti-scald protection. The risk of scalding exists until the installer has properly calibrated/adjusted the temperature setting during final trim installation.
- Inspect this product to ensure you have all the parts required for proper installation. Product is sold partially assembled but shown fully disassembled for illustrative and service purposes only.
- Use only a strap wrench or protected/smooth-jaw wrench on any finished surface.
- The use of certain plumber's putty may stain stone or tile surfaces.
- If further assistance is required, please contact Product Support at 1-800-927-2120 Monday through Friday, 8am - 6pm EST.
- Refer to the separate Service Parts Documents for available replacement parts.

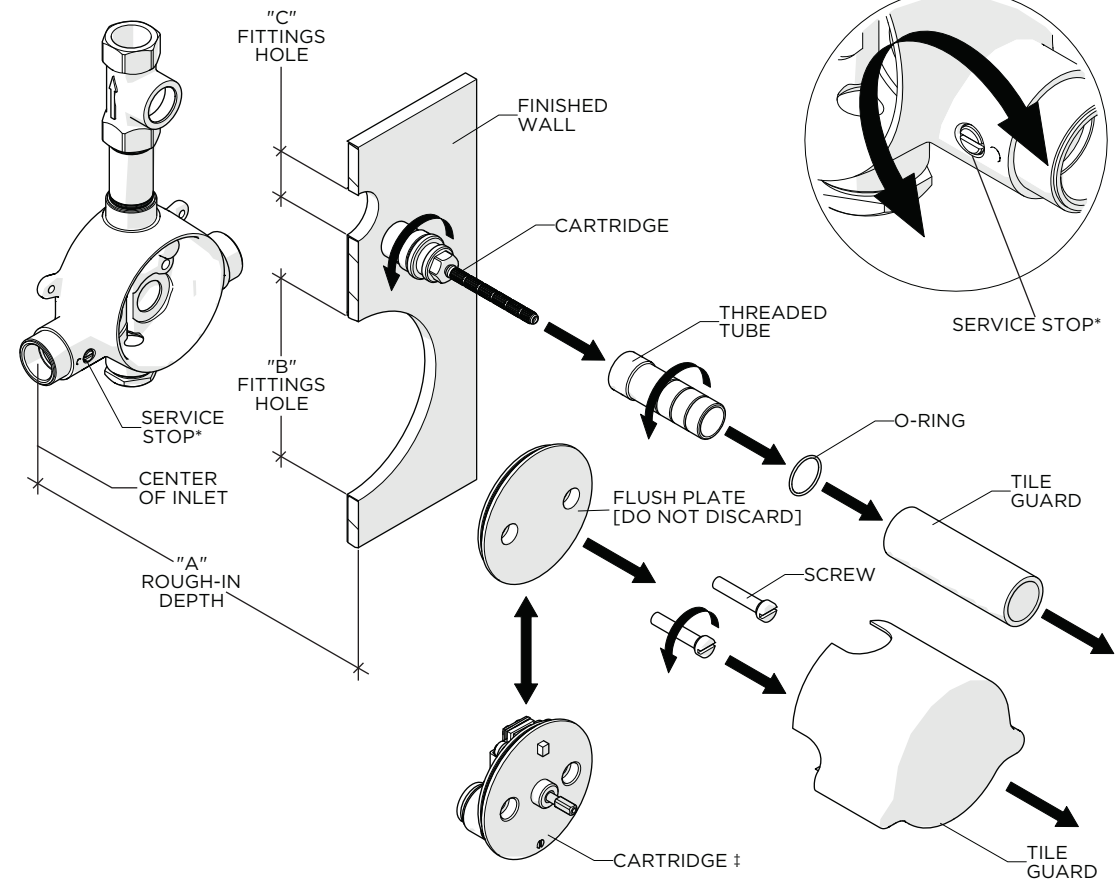
REQUIRED PLUMBING DETAILS:

- Boulevard Thermostatic Valve
STYLE No. GUTH46

ROUGH-IN AND VALVE PREPARATION:

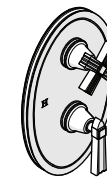
- **CAUTION:** Make sure the supply lines are flushed prior to final TRIM installation using the FLUSH PLATE provided with the VALVE. Refer to the Installation Guidelines provided with the VALVE for further information on how to properly flush the supply lines.

DIM	VALUE
A	2-1/4" MIN [57mm]
B	Ø5-1/4" [133mm]
C	Ø1-3/8" [35mm]



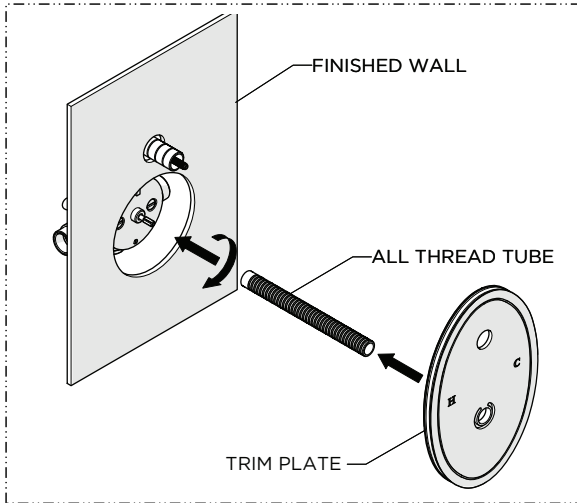
‡ **IMPORTANT:** The CARTRIDGE is packaged separately and provided with the VALVE.

INSTALLATION GUIDELINES

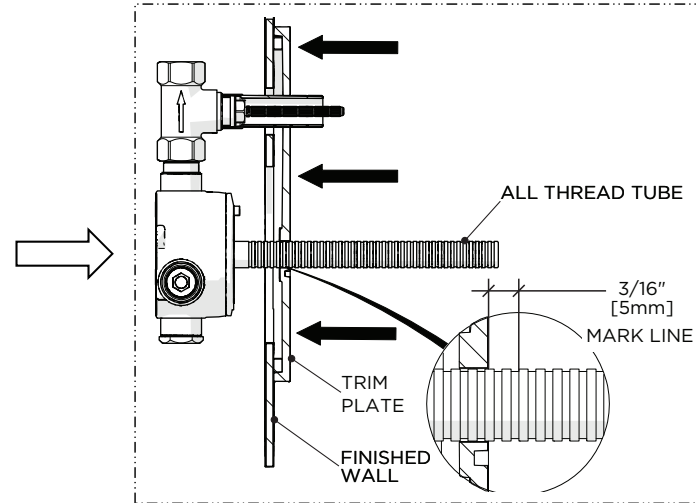


STYLE No. BDTH58

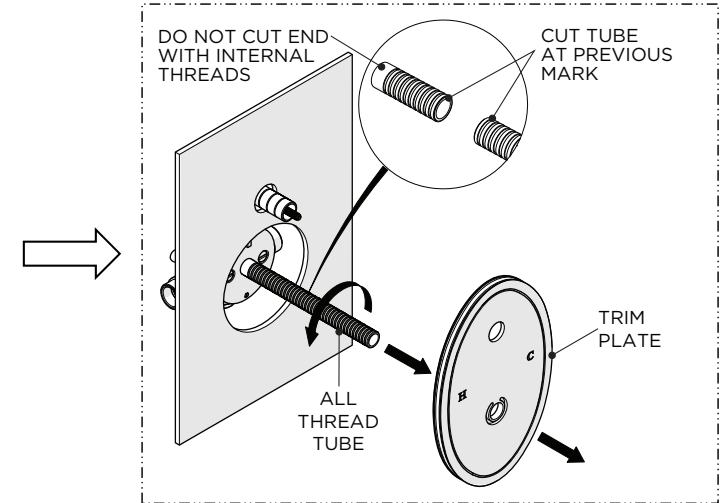
Boulevard Metal Lever Handle Thermostatic with Metal Cross Handle Shutoff Trim



1. Thread the ALL THREAD TUBE onto the THERMOSTATIC VALVE then slide the TRIM PLATE over the TUBE.

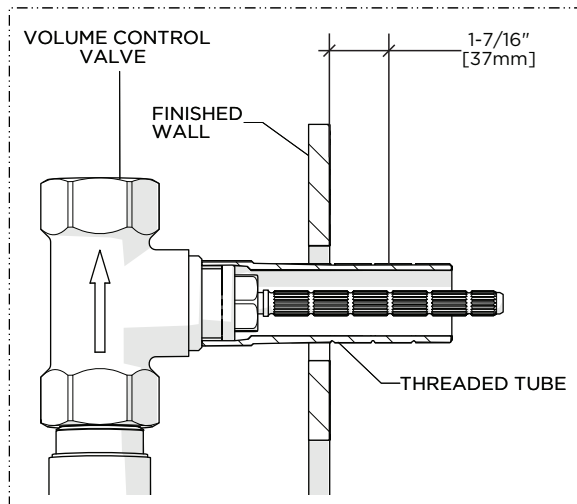


2. Firmly holding the PLATE against the finished wall, mark the TUBE 3/16" [5mm] beyond where it protrudes from the TRIM PLATE.

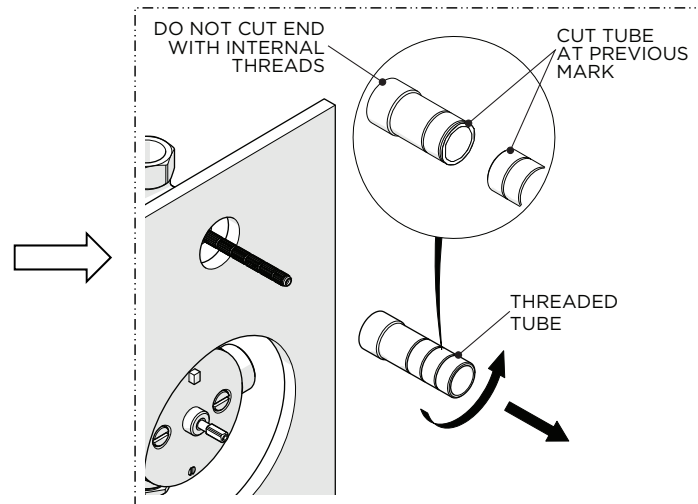


3. Remove the PLATE and TUBE then cut the TUBE at the previous mark.

CAUTION: Do NOT cut the end with the internal threads.

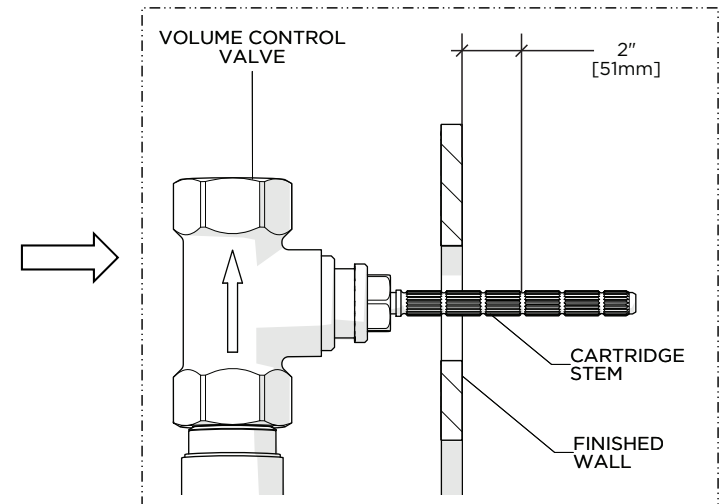


4. Mark the THREADED TUBE on the VOLUME CONTROL VALVE 1-7/16" [37mm] beyond where it protrudes from the finished wall.



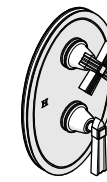
5. Remove the THREADED TUBE then cut the TUBE at the previous mark.

CAUTION: Do NOT cut the end with the internal threads.



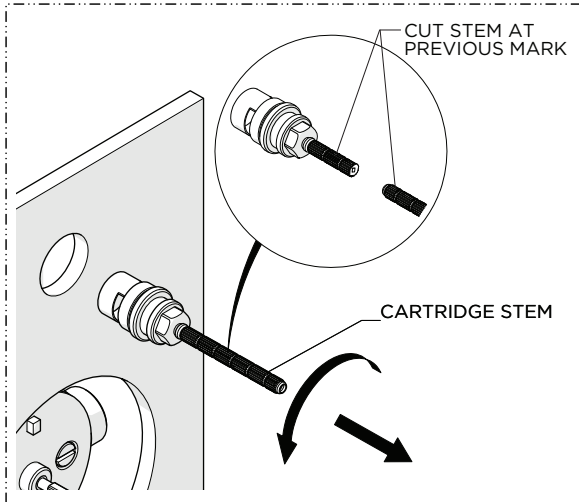
6. Mark the CARTRIDGE STEM on the VOLUME CONTROL VALVE 2" [51mm] beyond where it protrudes from the finished wall.

INSTALLATION GUIDELINES

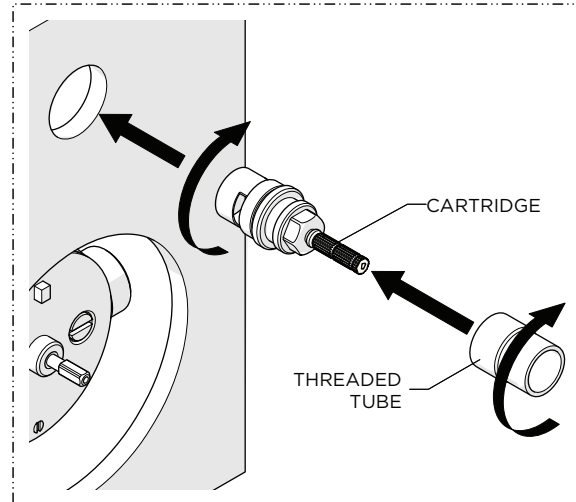
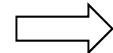


STYLE No. BDTH58

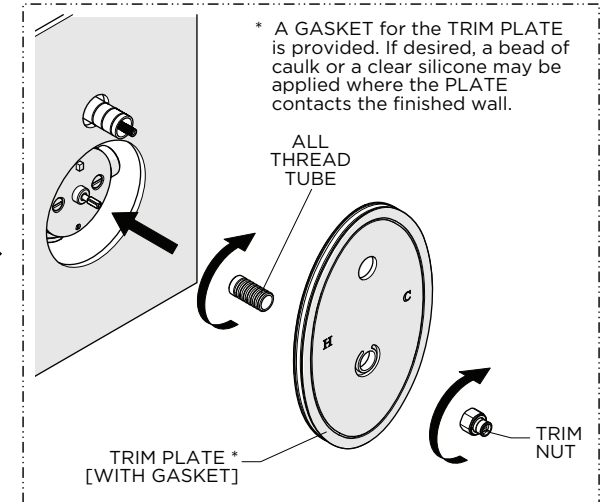
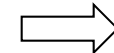
Boulevard Metal Lever Handle Thermostatic with Metal Cross Handle Shutoff Trim



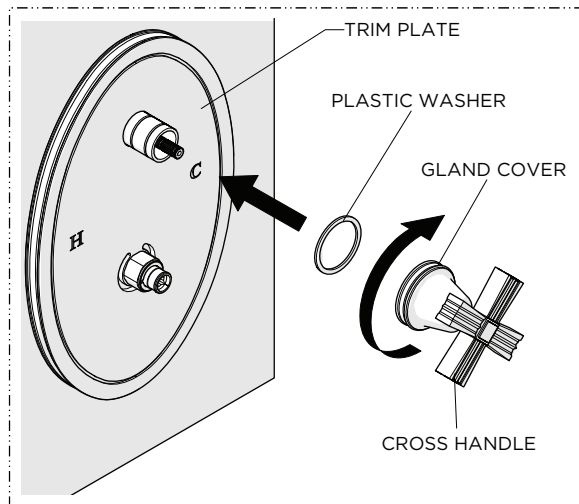
7. Remove the CARTRIDGE using a 21/32" [17mm] shower valve socket wrench (not provided) then cut the STEM at the previous mark.



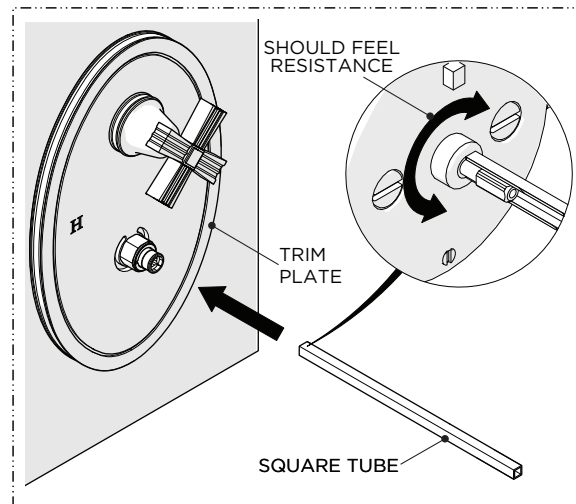
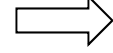
8. Thread and securely tighten the CARTRIDGE back into the VOLUME CONTROL VALVE then thread the THREADED TUBE back onto the CARTRIDGE.



9. Thread the ALL THREAD TUBE back onto the THERMOSTATIC VALVE, slide the TRIM PLATE over both TUBES then thread and securely tighten the TRIM NUT onto the lower TUBE to firmly hold the PLATE against the finished wall.

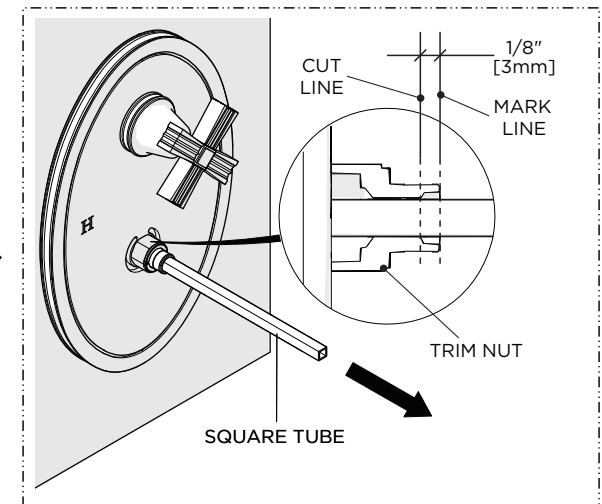
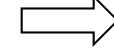


10. With the CROSS HANDLE in the desired orientation and using the WASHER provided, thread and securely tighten the GLAND COVER onto the upper TUBE.



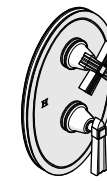
11. Insert the SQUARE TUBE into the TRIM NUT then, by feel, make sure it slides over the CARTRIDGE STEM and is fully seated.

NOTE: When seated properly, the TUBE will have rotational resistance.



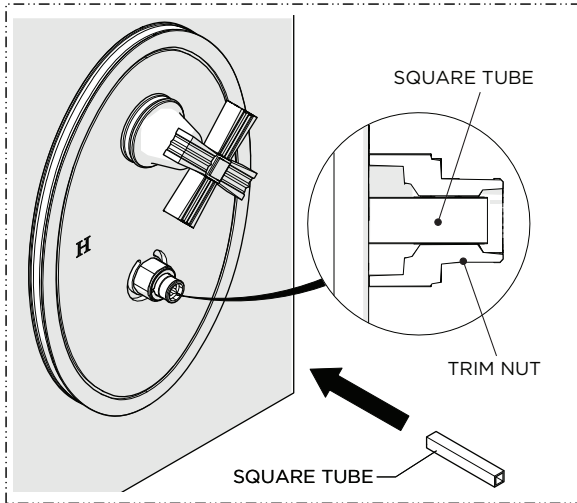
12. Mark the SQUARE TUBE where it passes through the front face of the TRIM NUT then remove and cut the TUBE 1/8" [3mm] behind the previous mark.

INSTALLATION GUIDELINES

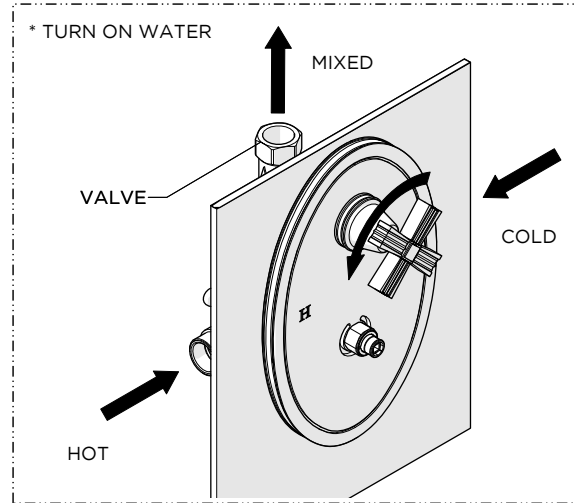


STYLE No. BDTH58

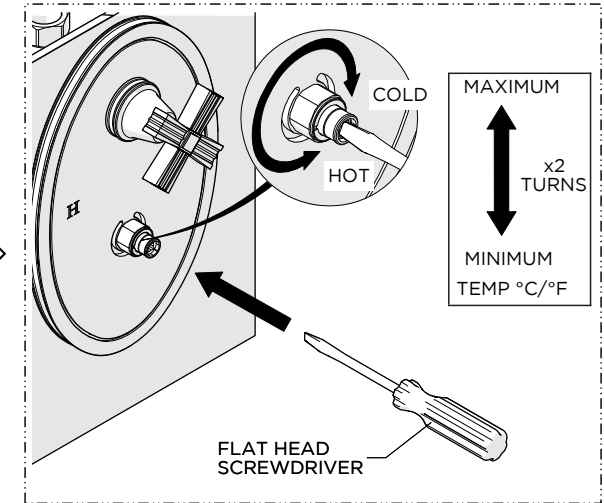
Boulevard Metal Lever Handle Thermostatic with Metal Cross Handle Shutoff Trim



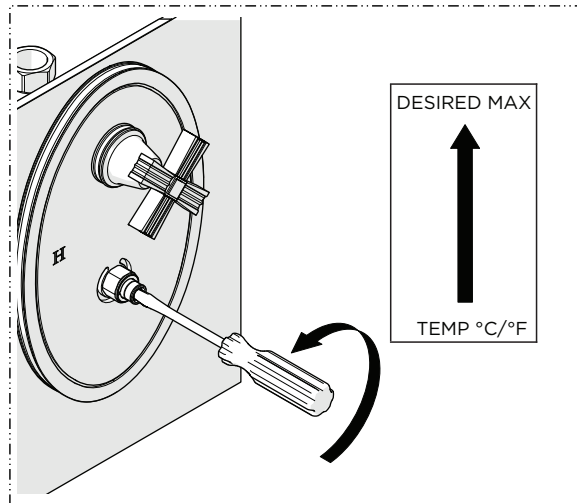
13. Re-insert the SQUARE TUBE back into the TRIM NUT making sure it is slightly recessed.



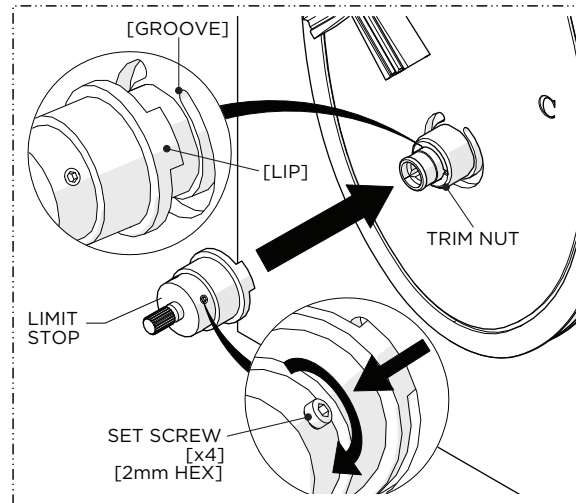
14. Turn on the water supply and open the VOLUME CONTROL VALVE to run water through the THERMOSTATIC VALVE.



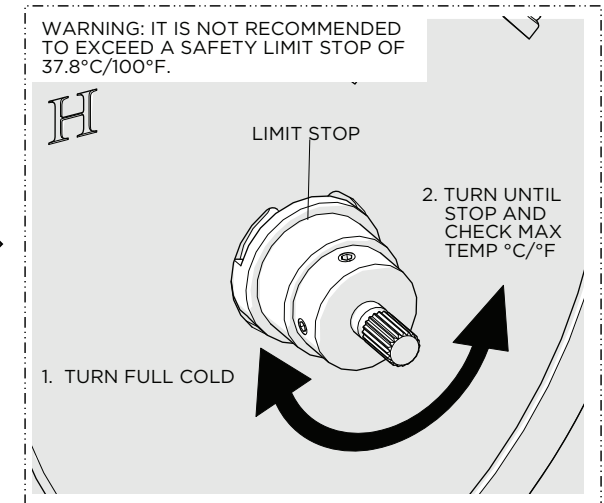
15. Insert a bladed screw driver into the SQUARE TUBE and slowly rotate the TUBE clockwise to attain full cold then counterclockwise to attain full hot. It's approximately 2 complete rotations. Verify a full range of temperatures exists.



16. With water running, rotate the SQUARE TUBE to adjust the temperature to the **maximum** desired bathing temperature, verified with a thermometer, then turn the water off.



17. Place the LIMIT STOP onto the TRIM NUT making sure the LIP on the STOP sits properly inside the GROOVE in the PLATE then securely tighten the SET SCREWS.

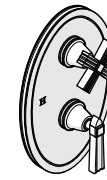


18. Turn the LIMIT STOP to full cold then full hot and confirm it is functioning properly. Verify the **maximum** desired bathing temperature.

NOTE: If necessary, repeat the calibration process.

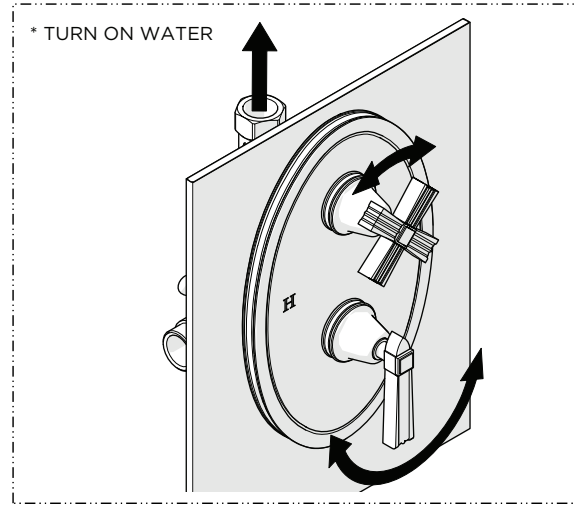
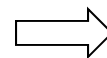
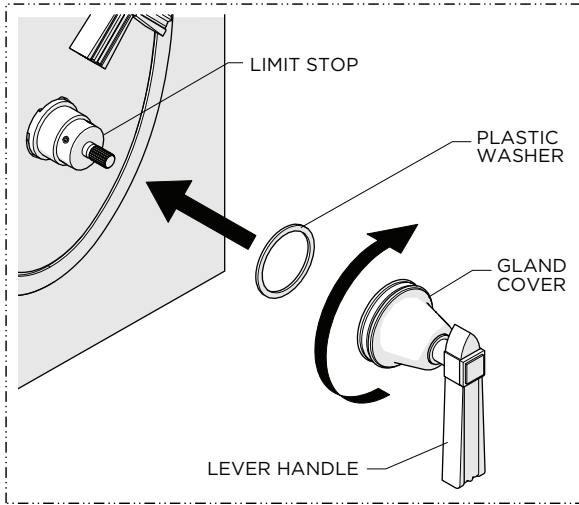
CAUTION: Make sure NOT to change this setting.

INSTALLATION GUIDELINES



STYLE No. BDTH58

Boulevard Metal Lever Handle Thermostatic
with Metal Cross Handle Shutoff Trim



19. With the LEVER HANDLE in the desired orientation and using the WASHER provided, thread and securely tighten the GLAND COVER onto the LIMIT STOP.

20. Turn on the water supply and operate both HANDLES to ensure that they are functioning properly.