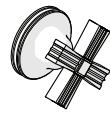
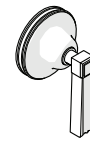


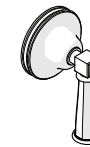
INSTALLATION GUIDELINES



STYLE No. BDVC47
Boulevard Volume Control Valve Trim with Metal Cross Handle



STYLE No. BDVC48
Boulevard Volume Control Valve Trim with Metal Lever Handle



STYLE No. BDVC49
Boulevard Volume Control Valve Trim with Crystal Handle

IMPORTANT:

- To ensure this product is installed properly, you must read and follow these guidelines.
- The owner/user of this product must keep this information for future reference.
- This product must be installed by a professional licensed contractor and must be onsite prior to rough-in, this allows the installer to visualize the installation.
- Wall valves control on/off/volume and must be installed for each fitting that will have water flowing to it. If using a wall valve with the Universal 3/4" Thermostatic Valve (Style No. GUTH37R) refer to the Installation Guidelines for the Thermostatic Valve which contains related installation information. All VALVES and TRIMS sold separately.
- Be sure your installation conforms to federal state, and local codes. In the State of Massachusetts, all installations must comply with the rules and regulations set forth within 248 CMR
- Inspect this product to ensure you have all the parts required for proper installation. Product is sold partially assembled but shown fully disassembled for illustrative and service purposes only.
- Use only a strap wrench or protected/smooth-jaw wrench on any finished surface.
- The use of certain plumber's putty may stain stone or tile surfaces.
- If further assistance is required, please contact Product Support at 1-800-927-2120 Monday through Friday, 8am - 6pm EST.
- Refer to the separate Service Parts Documents for available replacement parts.

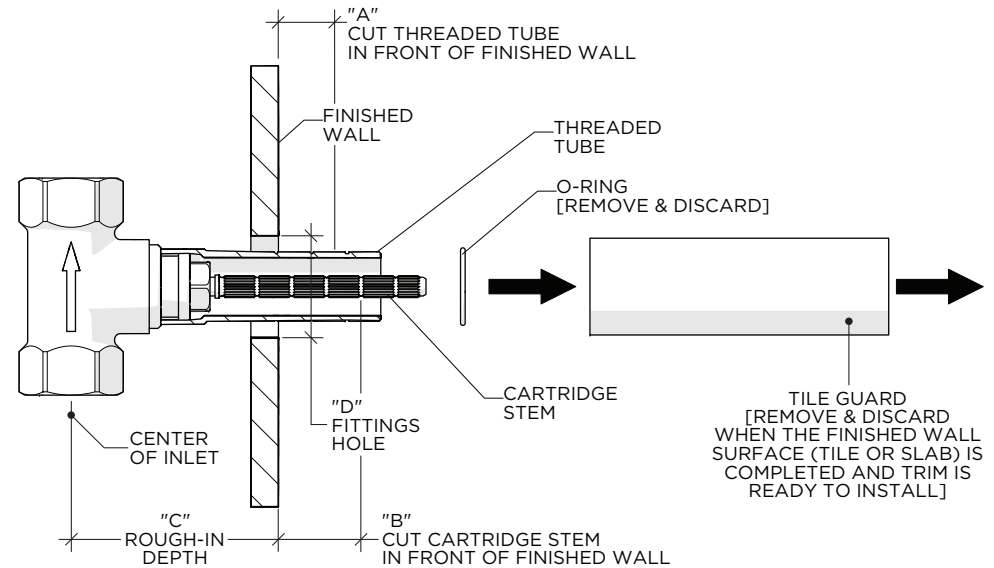
REQUIRED PLUMBING DETAILS:

- Universal 3/4" Counter-Clockwise Open Volume Control Valve **STYLE No. GUVC16** or,
- Universal 3/4" Clockwise Open Volume Control Valve **STYLE No. GUVC17**

ROUGH-IN AND VALVE PREPARATION:

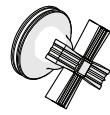
- **CAUTION:** If the VALVE is roughed-in too shallow, the TRIM cannot be installed correctly.
- **CAUTION:** Mark and remove the THREADED TUBE before cutting. Do NOT cut the end with the internal threads.
- **CAUTION:** Mark and remove the CARTRIDGE using a 21/32" [17mm] shower valve socket wrench before cutting.

DIMENSION	VALUE
A	5/8" [16mm]
B	1-3/8" [35mm]
C	1-3/4" MIN [44mm] - 3-3/8" MAX [86mm]
D	Ø1-3/8" [35mm]

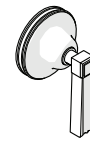


[GUVC16 SHOWN]

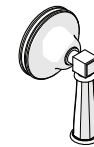
INSTALLATION GUIDELINES



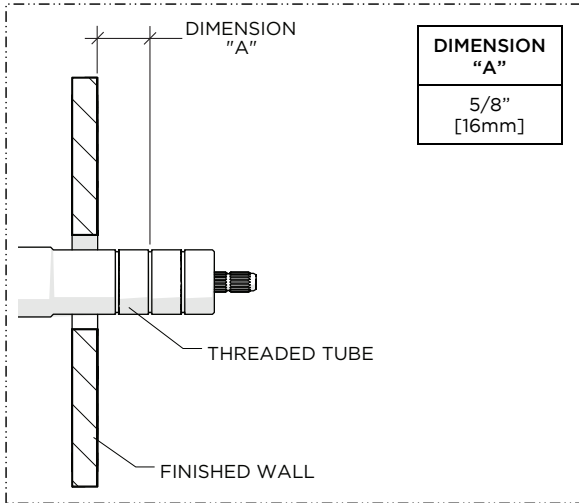
STYLE No. BDVC47
Boulevard Volume Control Valve Trim with Metal Cross Handle



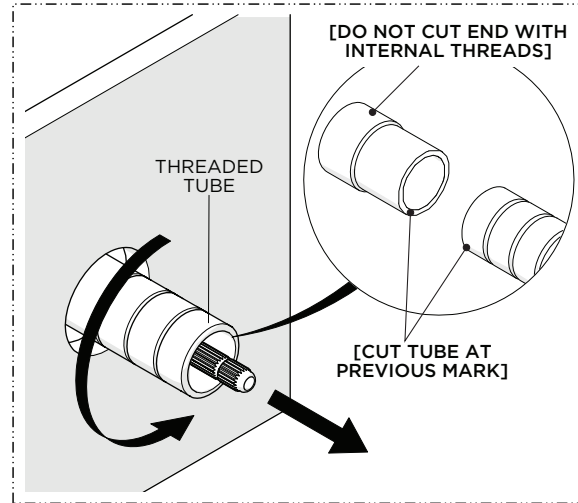
STYLE No. BDVC48
Boulevard Volume Control Valve Trim with Metal Lever Handle



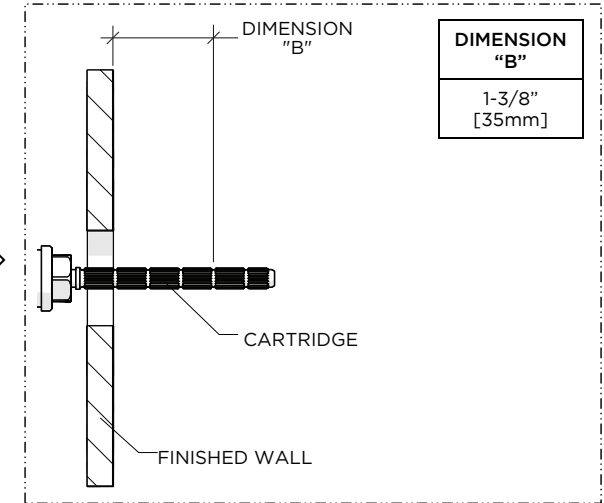
STYLE No. BDVC49
Boulevard Volume Control Valve Trim with Crystal Handle



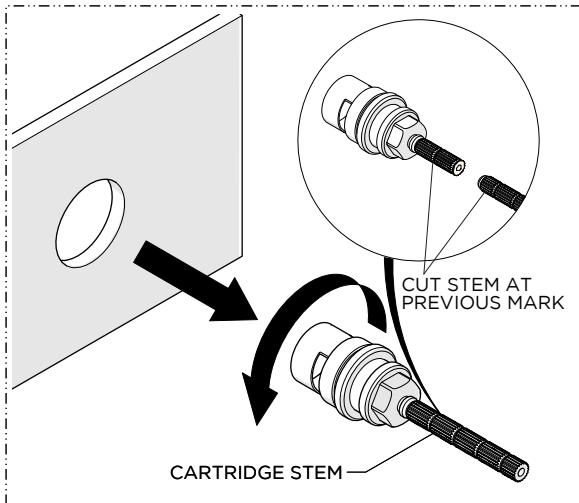
1. Remove the TILE GUARD when ready to install the TRIM then mark the THREADED TUBE in front of the finished wall at the length listed above.



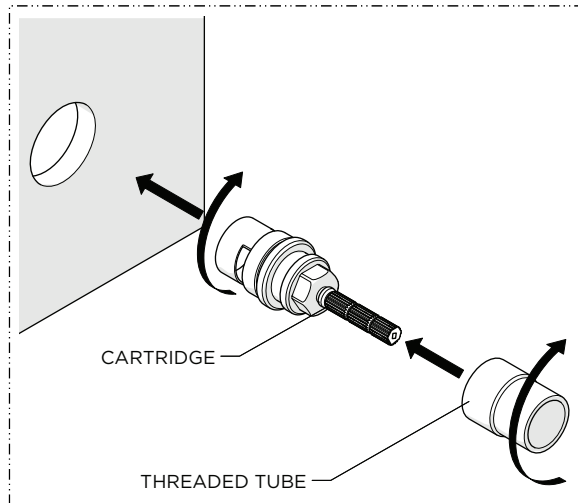
2. Remove the THREADED TUBE then cut the TUBE at the previous mark.
CAUTION: Do NOT cut the end with the internal threads.



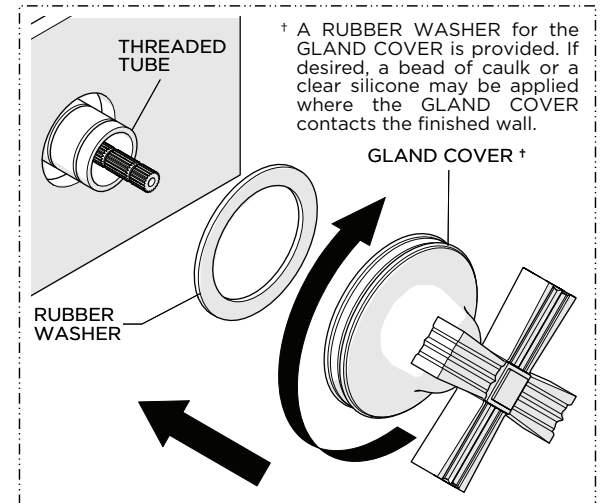
3. Mark the CARTRIDGE STEM in front of the finished wall at the length listed above.



4. To prevent damaging the STEM, remove the CARTRIDGE using a 21/32" [17mm] shower valve socket wrench (not supplied) then cut the STEM at the previous mark.



5. Thread and securely tighten the CARTRIDGE back into the VALVE then thread the THREADED TUBE back onto the CARTRIDGE.



6. With the HANDLE in the desired orientation and using the WASHER provided, thread and securely tighten the GLAND COVER onto the THREADED TUBE then turn on the water supply and operate the HANDLE to ensure it functions properly.