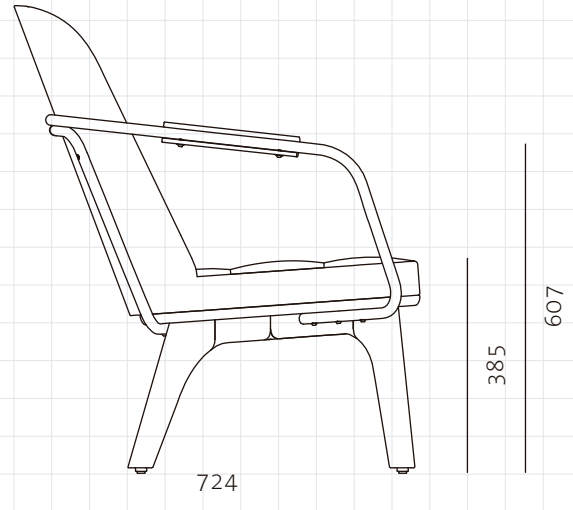
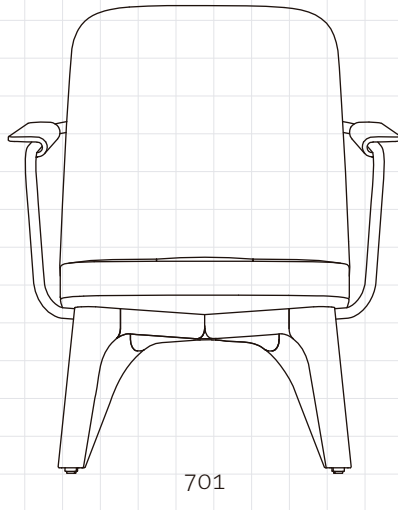


**Utility Lounge Chair**



**CODE**

UT-S111

**DIMENSIONS**

W701 x D724 x H835mm

**NET WEIGHT**

Seating height: 385mm

**ENVIRONMENT**

16.0 kg

**MATERIALS**

Indoor

Solid wood legs, Stainless steel brass finish/Steel black powder coated finish, Upholstery.

\*Please refer to website or contact your local representative for complete material swatches.

**SHIPPING**

<b>Package</b>	Assembled		
<b>Package Qty</b>	1 pcs/box		
<b>Packaging</b>	<b>Measurement (mm)</b>	<b>Volume (cbm)</b>	<b>Gross Weight (kg)</b>
<b>FCL</b>	W766 x D789 x H920	0.56	24.0
<b>LCL/AIR</b>	W786 x D809 x H1015	0.65	31.0