

36 608 985



- rosette 60 x 60 mm
- head part with cut-to-length spindle and sleeve

	Matte Black	36 608 985-33
	Chrome	36 608 985-00
	Brushed Platinum	36 608 985-06
	Platinum	36 608 985-08
	Dark Chrome	36 608 985-19
	Brushed Light Gold	36 608 985-27
	Brushed Durabronze (23kt Gold)	36 608 985-28
	Brushed Chrome	36 608 985-93
	Brushed Dark Platinum	36 608 985-99

**Required miscellaneous**

- Wall valve 3/4" -** 35 608 970 90
- min. recess depth 75 mm
  - max. recess depth 145 mm



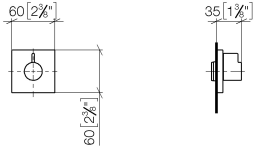


# SYMETRICS Wall valve anti-clockwise closing 3/4" - Matte Black

IMO

36 608 985

mm [inches]



## Codes & Standards

ASME A112.18.1

cUPC

Scottish Water  
Byelaws

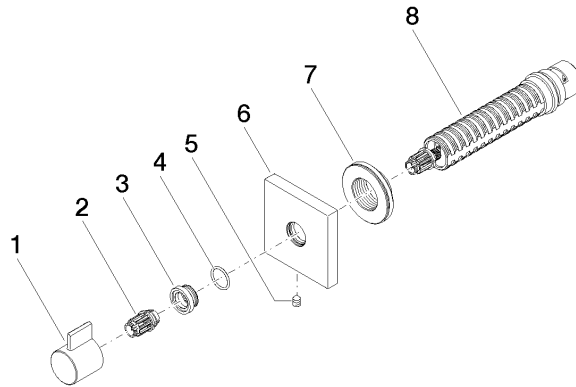
UK Water Supply  
Regulations

## Certificates

WRAS\_2010

IAPMO\_4976

36 608 985





## SYMETRICS Wall valve anti-clockwise closing 3/4" - Matte Black

---

IMO

36 608 985

### **Spare parts list**