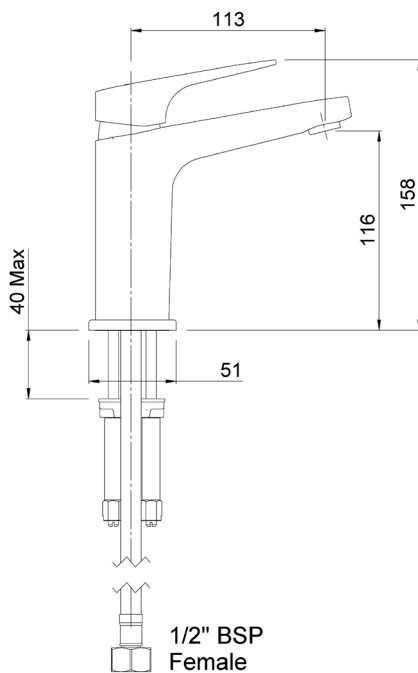


WAIPORI BASIN MIXER

Also available in
MATTE BLACK FINISH
WABBK



CONSTRUCTION: Brass body

CARTRIDGE: Ceramic

CLASSIFICATION: Suitable for all pressure systems

INLET CONNECTIONS: 1/2" BSP Female

WORKING PRESSURE: 35 - 500kPa

DIMENSIONS FOR FITTING: 35 - 38mm diameter hole

OPERATING TEMPERATURE: 5 °C - 80 °C

- Maximum bench thickness of 40mm
- Slim stream shape aerator with directional swivel
- Stainless steel flexible inlet hoses
- DZ Brass body for greater durability and safe water
- 4 star WELS rated on mains pressure (7 l/m)
- 5 star WELS rated on all pressure (5.5 l/m)

WABCP

Chrome

<http://www.methven.com/nz/waipori-basin-mixer>