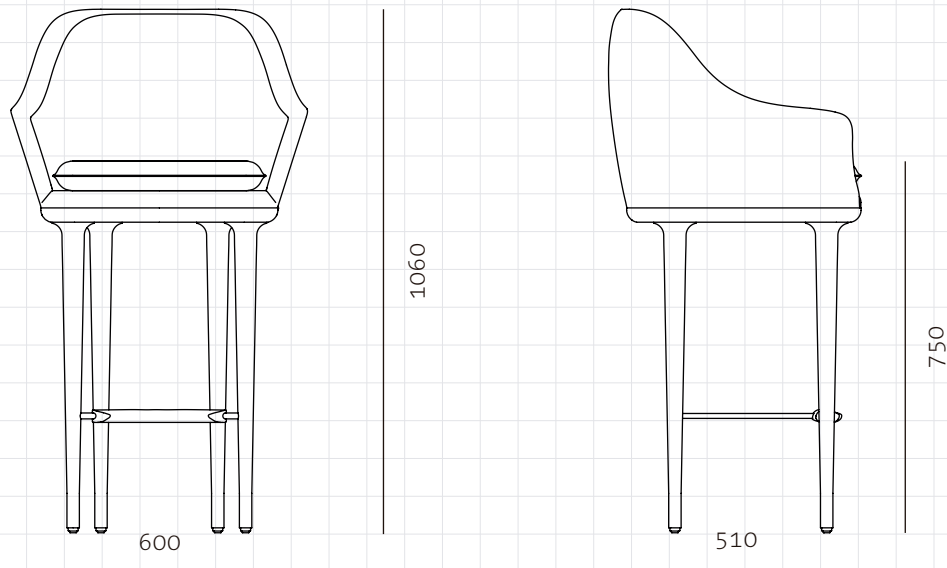


Lunar Bar Chair SH750



CODE
DIMENSIONS

LN-S311-750
W600 x D510 x H1060mm
Seating height: 750mm

NET WEIGHT
ENVIRONMENT
MATERIALS

14.5 kg
Indoor
Solid wood legs, upholstered moulded foam frame, upholstered cushion, solid wood foot rest, brass plated stainless steel
*Please refer to website or contact your local representative for complete material swatches.

SHIPPING

Package	Assembled		
Package Qty	1 pcs/box		
Packaging	Measurement (mm)	Volume (cbm)	Gross Weight (kg)
FCL	W680 x D680 x H1100	0.51	22.42
LCL/AIR	W700 x D700 x H1195	0.59	28.11