

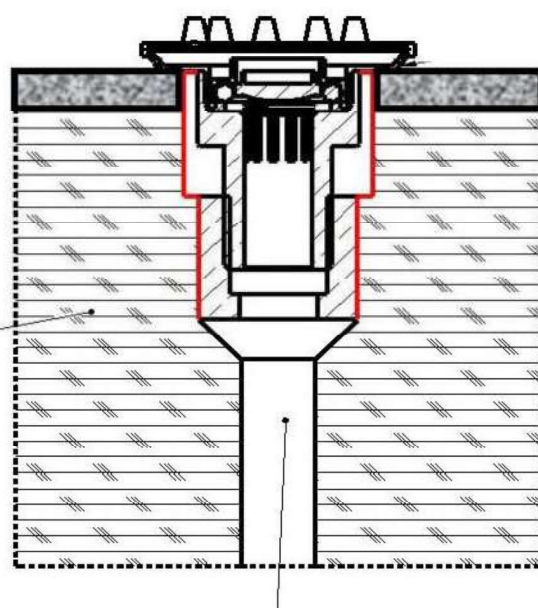
ART. COD.

**OXJETXB**



50x50

PARETE  
WALL



ENTRATA ACQUA  
WATER INLET

**MATERIALI / MATERIALS**

ACCIAIO INOX / STAINLESS STEEL