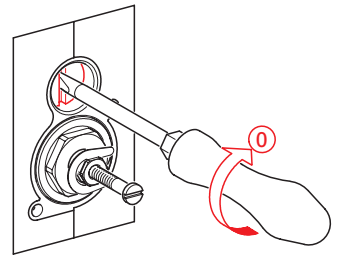
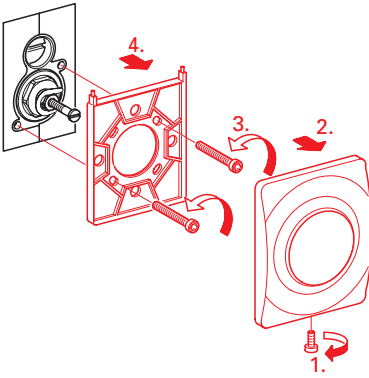
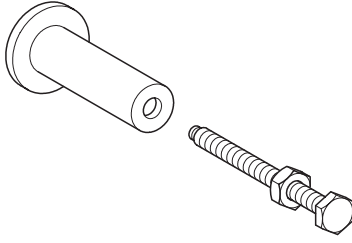
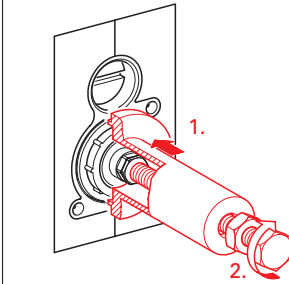
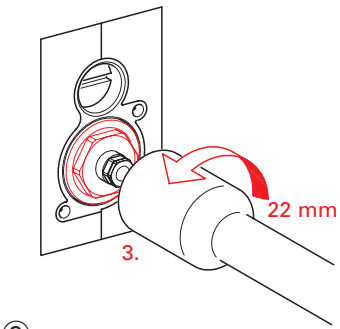
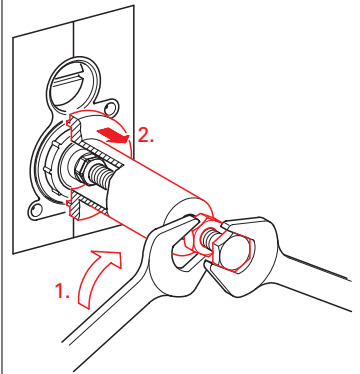


→ 505.00.200/37 017



①

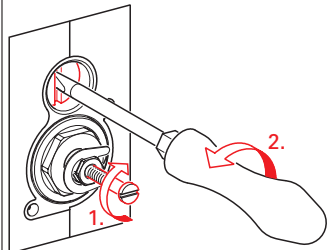
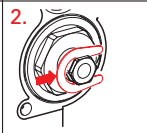
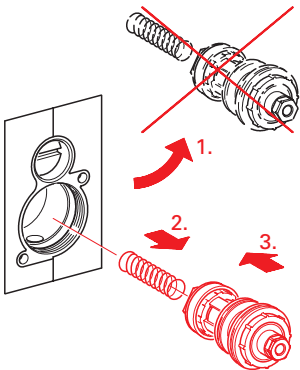
②



③

④

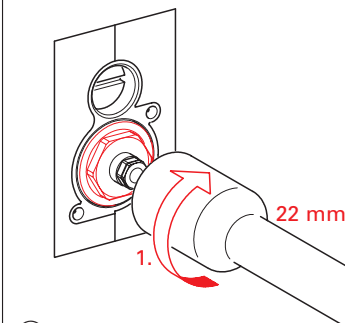
⑤



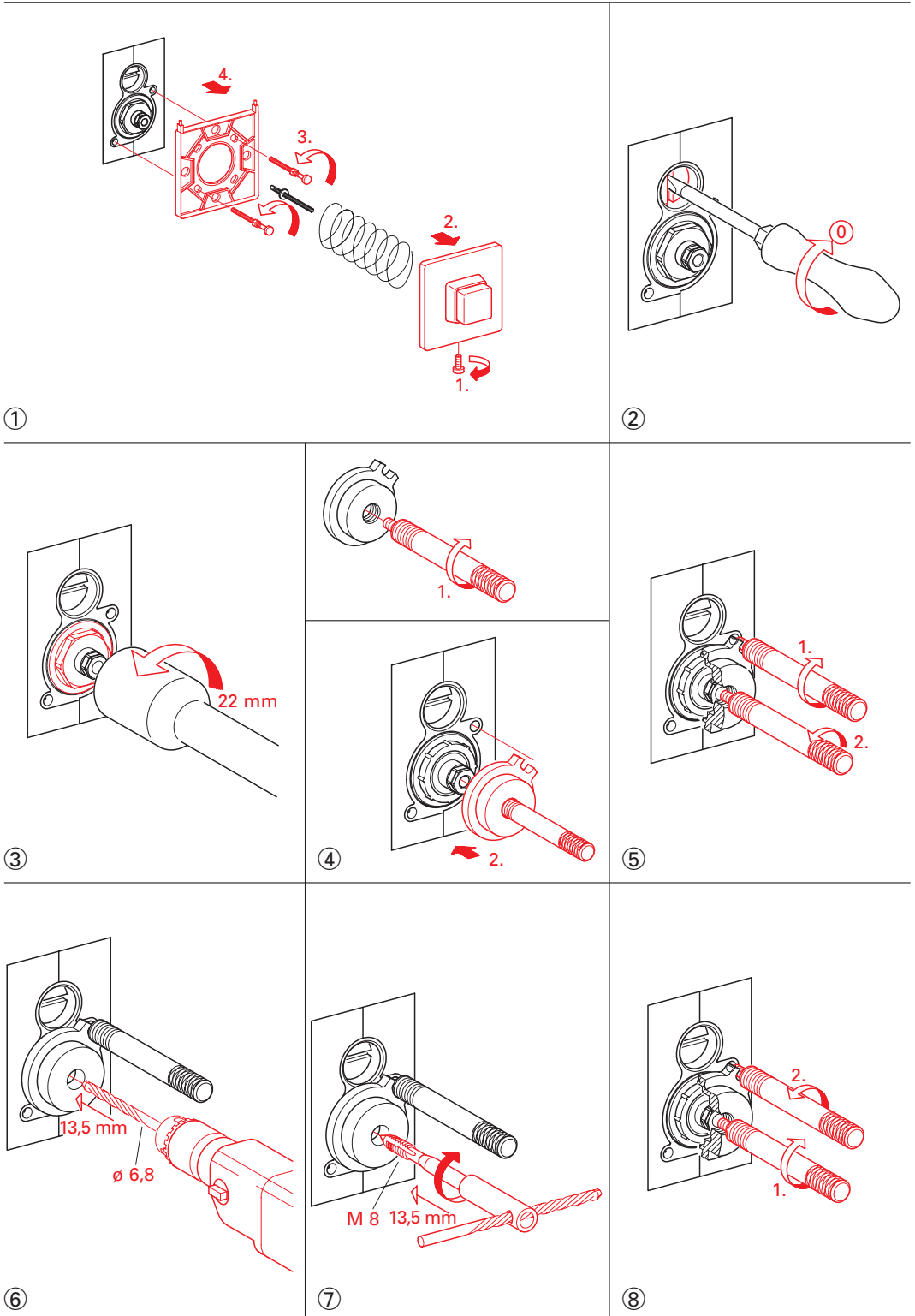
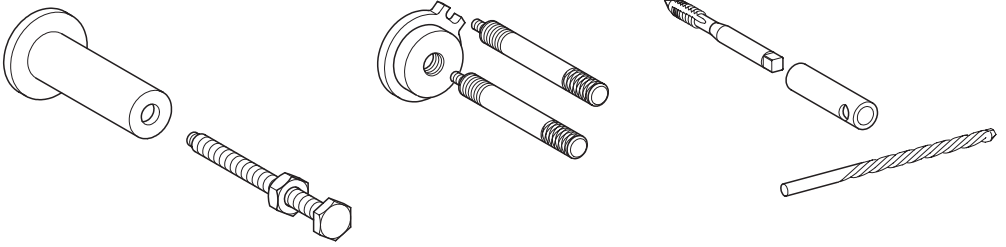
⑥

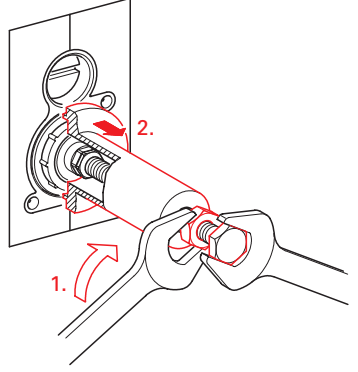
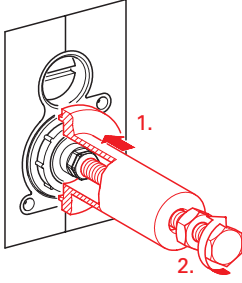
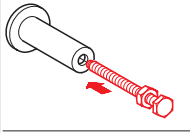
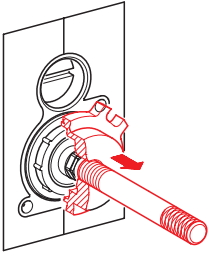
⑦

⑧



→ 509.00.200

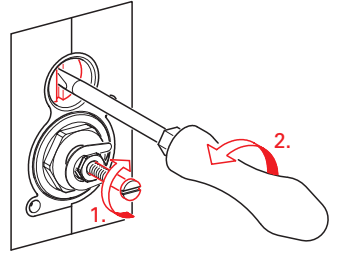
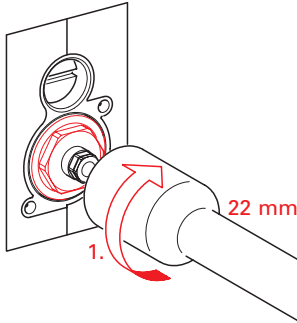
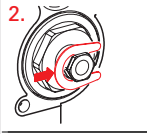
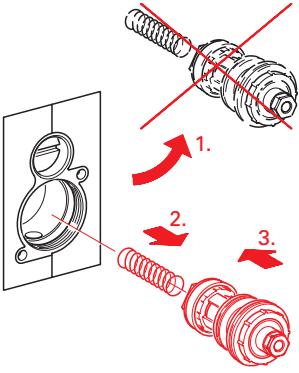




9

10

11



12

13

14