

CANDIDE

CDBT19

Candide 66" x 27" x 27" Freestanding Oval Cast Iron Bathtub



TECHNICAL DETAILS

ADA Compliance: When installed per ADA guidelines
Adjustable Levelers / Feet: N
Bathing Type: Bathing and Soaking
Bathing Well Sitting Angle: 103 degree_angle
Depth to Overflow: 19 5/16"
Drain Hole Diameter: 2"
Drilling Option: None
Depth / Width: 28"
Height: 28"
Installation Type: Freestanding
Item Weight (Filled): 941.0 pounds
Length: 65"
Outer Rim Shape: Oval
Overflow Hole Diameter: 2"
Overflow Opening: Yes
Primary Material: Cast Iron
Single or Double Ended: Double Ended
Sound Proofing: N
Stain Resistance: N
Suggested Application: Bath
Waste and Overflow Outlet Spread: 13 1/2"

INSPIRATION

The slender and streamlined curves of the Candide are accentuated as she stands on her molded base. Candide embodies the beauty of classic French boat tubs.

CODES & STANDARDS

Code # CDBT19: Complies with ASME A112.19.1 and ADA. Certified with State of MA.

PRODUCT FEATURES

Constructed of the finest cast iron with pure white enamel interior.
Double ended and wider for added comfort and easy installation.
Available with optional slip resistant bottom, a built in safety feature.
The exterior of primed bathtubs must be finished with a high quality paint before installation.
Due to the manual finishing process, burnished bathtubs will show variation in the amount of exterior finish distress.

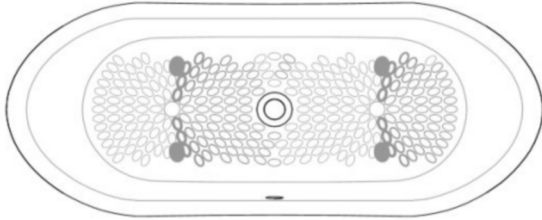
PRODUCT (NOTES)

Dimensions of fixtures are nominal. Measure your actual product for rough-in details.

CANDIDE

CDBT19

Candide 66" x 27" x 27" Freestanding Oval Cast Iron Bathtub



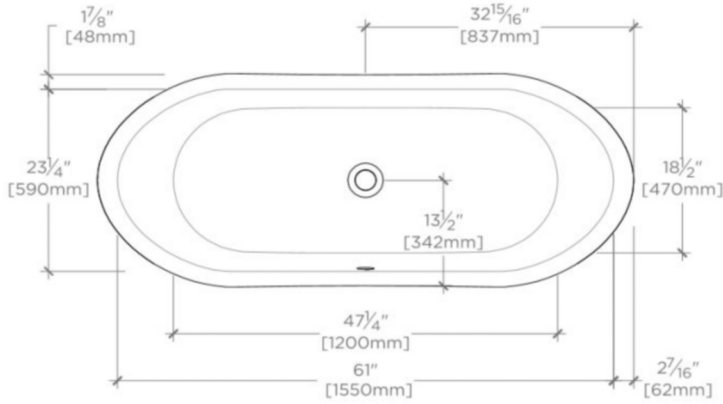
OPTIONAL SLIP RESISTANT

SCALE: 1/2"=1'-0"

RECOMMENDED WASTE & OVERFLOW STYLE #:

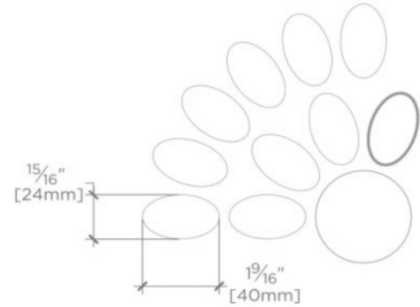
This Uses the UNWO10 Waste and Overflow

Dimensional Tolerance	
> 7/8" [200mm]	± 0.8%
< 7/8" [200mm]	± 1.8%



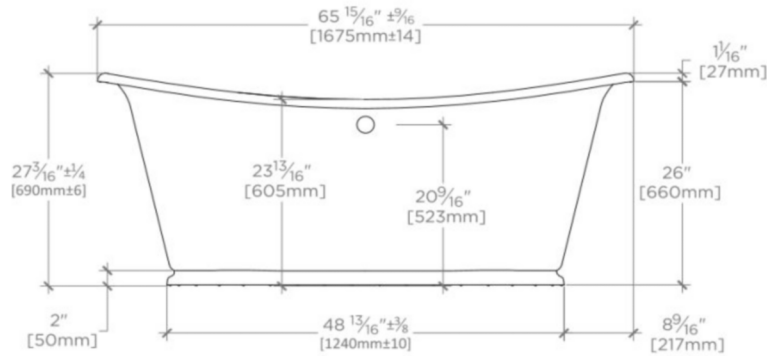
TOP VIEW

SCALE: 1/2"=1'-0"



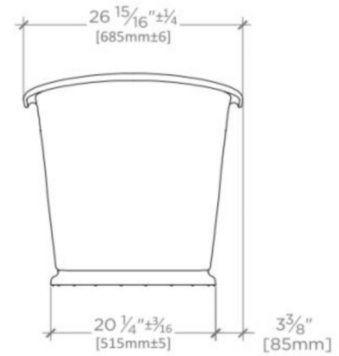
SLIP RESISTANCE PATTERN

SCALE: 3"=1'-0"



SIDE VIEW

SCALE: 1/2"=1'-0"



END VIEW

SCALE: 1/2"=1'-0"