

Collection

KUSASI

Article

KS200

Description

Monohole washbasin mixer complete with drain

Box Dimensions

340x180x70 mm

Weight

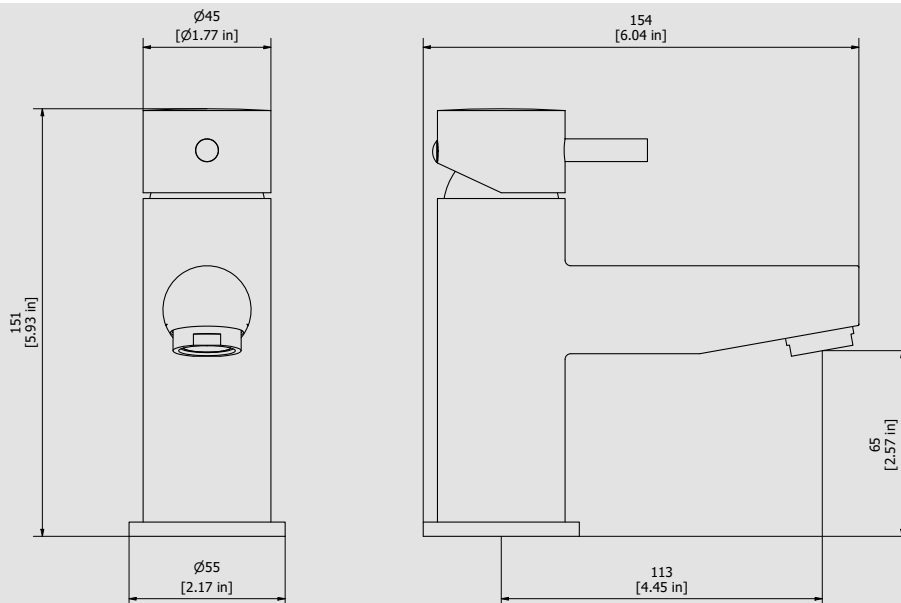
2.0 kg

Finishes

- **CC**
CHROME
- **PL**
PLATINUM
- **SS**
BRUSHED
NICKEL
- **ON**
NATURAL
BRASS
- **BO**
MATT
WHITE
- **NP**
MATT
BLACK
- **CF**
BLACK
CHROME
- **CS**
BRUSHED
BLACK
CHROME
- **II**
PALE
GOLD
- **IS**
BRUSHED
PALE GOLD
- **RS**
ROSE
GOLD
- **SR**
BRUSHED
ROSE GOLD
- **OO**
GOLD
- **OS**
BRUSHED
GOLD
- **RR**
ANTIQUÉ
COPPER
- **BB**
ANTIQUÉ
BRONZE



Dimensions



Cartridge

$\varnothing 35$ ceramic cartridge

Hoses

G3/8" female 400mms long

Aerator

M24x1

Flow Rate (+/-10%)

| 1 BAR | 2 BAR | 3 BAR |
|-------|--------|--------|
| 9 l/m | 12 l/m | 15 l/m |

Production

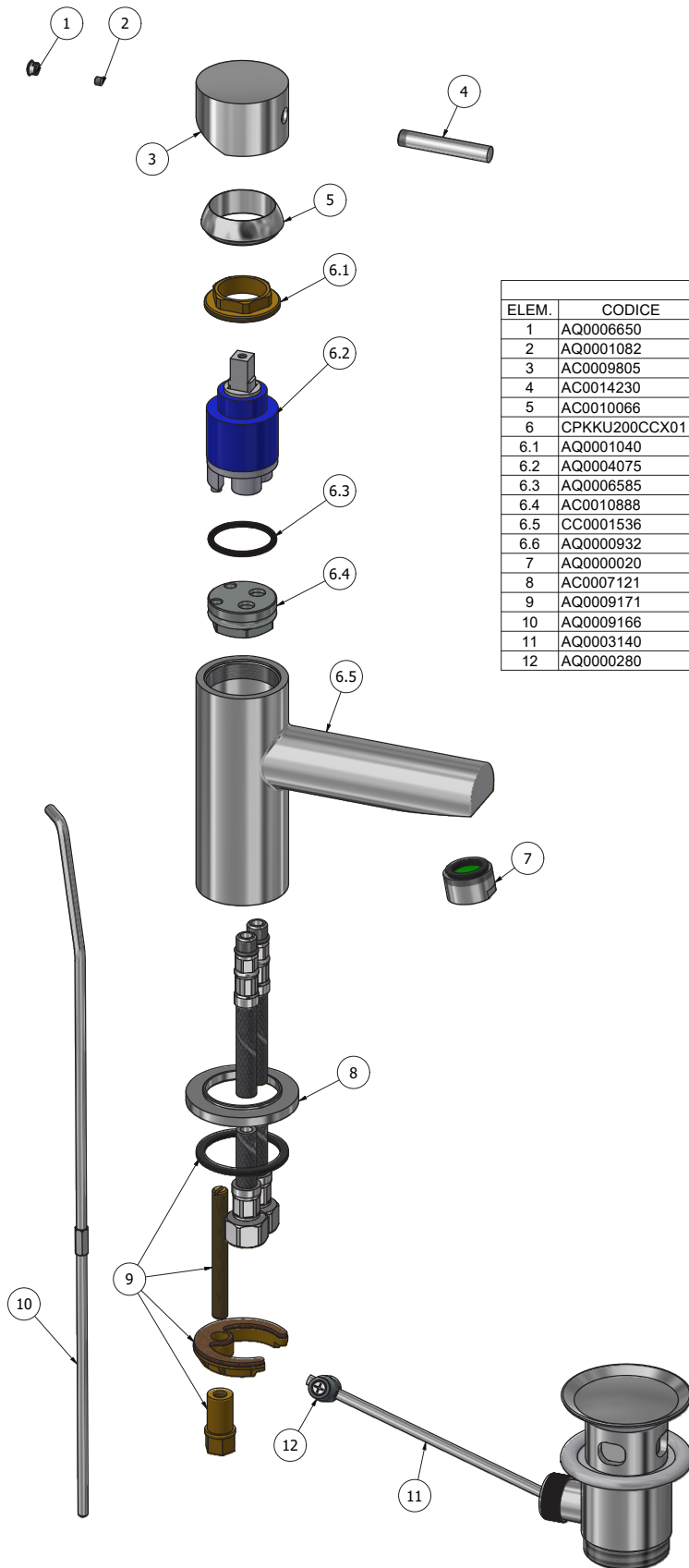
Main body is a machined from a solid pieces

Material

BRASS
According to CuZn42 (CW510L)
Max Lead content: 0.2%



WE ARE IB



| Elenco parti | | | |
|--------------|---------------|--|-----|
| ELEM. | CODICE | NUMERO DI MAGAZZINO | QTÀ |
| 1 | AQ0006650 | Plug cover Ø7 | 1 |
| 2 | AQ0001082 | ISO 4027 - M4 x 4 | 1 |
| 3 | AC0009805 | Handle Ø45 H29 | 1 |
| 4 | AC0014230 | Rod Ø8 H47 M8x1.25 | 1 |
| 5 | AC0010066 | Nut cover M37x1,5 Ø40.3 H13 | 1 |
| 6 | CPKKU200CCX01 | Preamsembled basin mixer | 1 |
| 6.1 | AQ0001040 | Cartridge ring nut M37x1.5 H9 | 1 |
| 6.2 | AQ0004075 | Ceramic cartridge Ø35 9x9 with distributor | 1 |
| 6.3 | AQ0006585 | OR 28.25x2.62 NBR 70 SH | 1 |
| 6.4 | AC0010888 | Connection piece Ø33.45 H15 | 1 |
| 6.5 | CC0001536 | Washbasin body mixer | 1 |
| 6.6 | AQ0000932 | Inox hose M10x1 G3/8" F L400 | 2 |
| 7 | AQ0000020 | Aerator M24 x 1 perlator honeycomb (40200503301) | 1 |
| 8 | AC0007121 | Basin base Ø55 H7 hole Ø35 | 1 |
| 9 | AQ0009171 | Fixing set | 1 |
| 10 | AQ0009166 | Pop-up set | 1 |
| 11 | AQ0003140 | Pop-up waste 1"1/4 | 1 |
| 12 | AQ0000280 | PUW - PU Joint | 1 |



WARRANTY

All IB Rubinetterie SpA products are warranted for 10 years from the date of purchase, for the following cases:

- Defects of casting, porosity and chrome plating.
- Operating defects caused by incorrect fabrication.

The warranty provides for repair or replacement of products with fabrication defects recognized by our technical office. There is no other type of compensation anche the merchandise must be returned FOB our warehouse. The warranty only cover surface defects (scatches, dings, etc.) on fitting that have not been installed and used, returned in its original packaging with all components. O-ring, gasket seals and components subject to wear proportional to use are warranted for 2 years.

The warranty is void in the following cases:

Error installing and putting the product into service.

Deterioration of finished surfaces due to use of cleaning products containing acids or abrasive substances. Deterioration of surface with finishes other than chrome plating. Their durability is, in fact, dependent on the user's care and gentleness of use.

Deterioration of the fitting due incorrect installation.

Improper repairs and maintenance performed without the company's prior authorization.

The warranty from IB Rubinetterie SpA is not renewable.

Cleaning

We recommended cleaning the finish surfaces with water and soap, using a soft cloth.

Do not use detergents that contain hydrochloric acid or abrasive substances.

