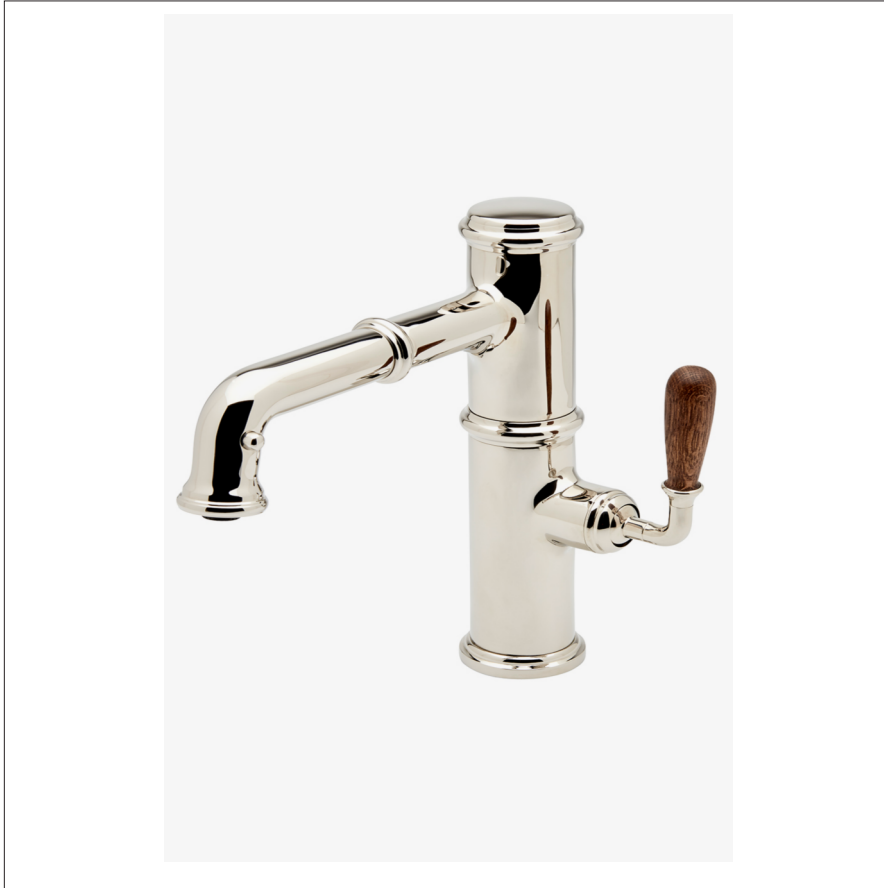


CANTEEN

CEKM30

Canteen One Hole High Profile Kitchen Faucet with Pull-Out Spray and Oak Lever Handle



TECHNICAL DETAILS

Adjustable versus Fixed Spray: Fixed
Deck Thickness Maximum: 2 1/4"
Deck Thickness Minimum: 1/4"
Escutcheon Primary Material: Brass
Fittings Hole Diameter: 2 1/8"
Flow Restriction Options: 2.0, 1.75, 1.5
Handle Turn Angle: Quarter Turn Each Way
Depth / Width: 11 5/16"
Height: 11 15/16"
Inlet Connection Size: 3/8"
Inlet Connection Type: Compression Connector Hoses
Installation Type: Deck Mounted
Integrated Diverter: Y
Length: 5 15/16"
Number of Holes: One Hole
Primary Material: Brass
Restricted Maximum Flow Rate: 2.2 gpm
Spout Swivel: Y
Spray Included in Unit: Y
Suggested Application: Bar, Kitchen, Laundry
Valve Material: Ceramic
Water Pressure Maximum: 85.0 psi
Water Pressure Minimum: 30.0 psi
Water Pressure Recommended: 45.0 psi

INSPIRATION

The traditional kitchen faucet, elevated into a luxurious, heavy-built product. Inspired by the clean simplicity of vintage water pumps, Canteen is sized for drama, with a tall, industrial-elegant spout and durable, handcrafted oak levers. This original, innovative silhouette brings character and dimension to a kitchen.

PRODUCT FEATURES

Inspired by the clean simplicity of vintage water pumps.

Features a tall, industrial-elegant spout and durable, handcrafted oak levers.

Single hole faucet with pull out spray.

Spray features a toggle button to switch between aerated and jet spray and is held in place with a counter weighted magnet.

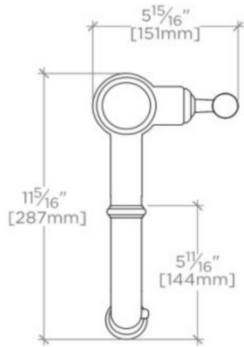
Standard flow rate is 2.2gpm (8.3 L/min) and State of California requires a maximum of 1.8gpm(6.8 L/min). Also

WATERWORKS

CANTEEN

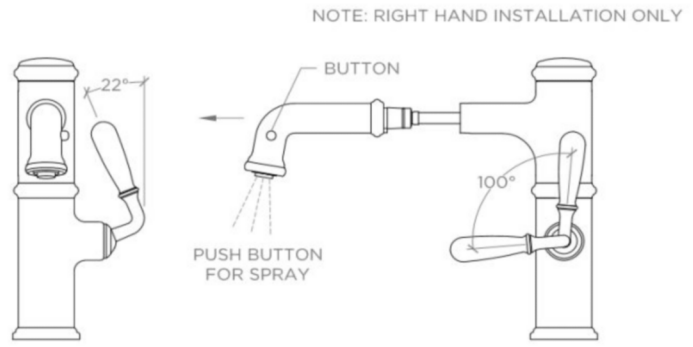
CEKM30

Canteen One Hole High Profile Kitchen Faucet with Pull-Out Spray and Oak Lever Handle



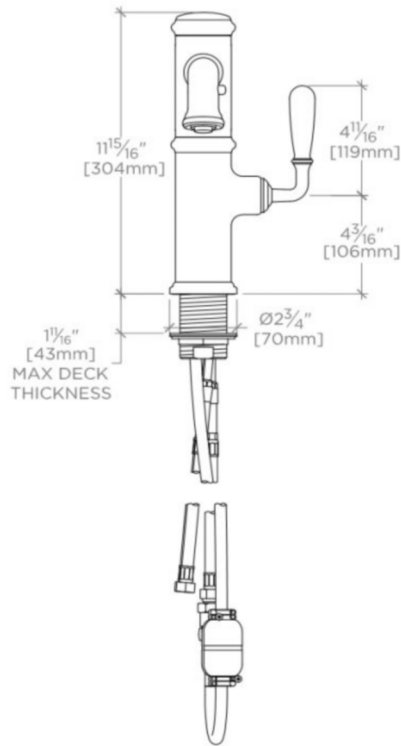
TOP VIEW

SCALE: $1\frac{1}{2}$ "=1'-0"



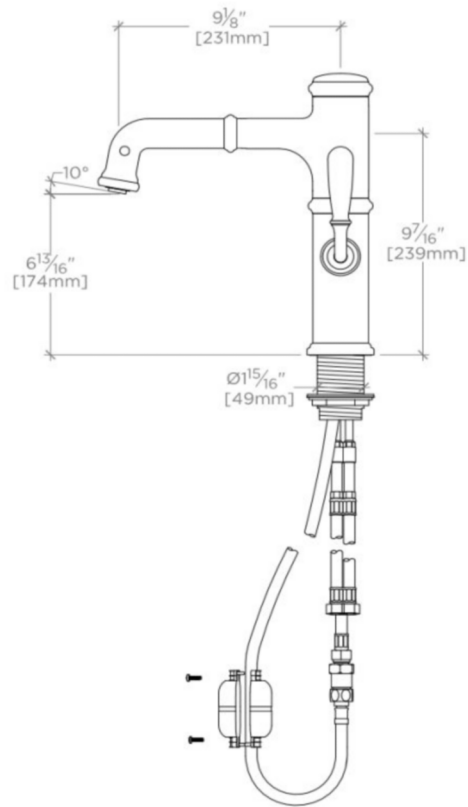
SPRAY AND HANDLE OPERATION VIEW

SCALE: $1\frac{1}{2}$ "=1'-0"



FRONT VIEW

SCALE: $1\frac{1}{2}$ "=1'-0"



SIDE VIEW

SCALE: $1\frac{1}{2}$ "=1'-0"