

US Installation and operating instructions

Contents

User information	3
Care and cleaning	3
Warning notices	4
Product information	5
Mounting	6
Demounting	11

HEWI support

+1 646 405 10 32

Intended purpose

The HEWI lift-up seat is designed for use in bathrooms, especially showers. It provides a seat for persons with and without physical disabilities while taking a shower.

Exclusion of liability

HEWI accepts no liability whatsoever for damage to persons or property that occurs or has occurred as a result of improper mounting or maintenance, particularly if the safety instructions and other points to note listed are not or have not been observed in full. HEWI accepts no liability whatsoever for damage occurring from incorrect cleaning.

Safety instructions

These instructions are intended for qualified skilled personnel and the user of the installed product. Following installation, the instructions must be made available to the user.

- Follow with the installation instructions and instructions for use.
- In case of questions, problems, uncertainties or if damage occurs, contact the HEWI support service.
- Ensure that the product is installed, maintained and repaired by qualified, skilled personnel only.
- Check the product for damage on acceptance. Report defects immediately.
- Install/use the product only:
 - in accordance with its intended purpose
 - in its original condition without modifications
 - in perfect condition
- Use original spare parts only.
- Only use HEWI fixing materials.
- Ensure that the wall structure and fixings are reinforced as required to permanently withstand the expected load.
- Only use in closed rooms.

Cleaning

CAUTION!

Risk of injury

Improper cleaning can cause damage to the surface and lead to injuries. Observe cleaning instructions listed below.

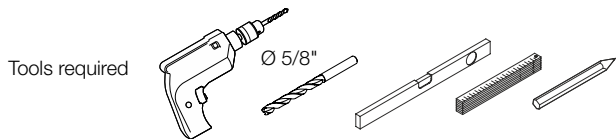
- Clean the product as and when required.
- Follow the manufacturer's instructions regarding concentration, contact time, etc.
- Always apply the cleaning product on a cloth; do not apply it directly on the surface.
- Rinse with cold water immediately after cleaning.
- Note the material-specific information on suitable/unsuitable cleaning products.
- Try out all products on an inconspicuous area before use.
- Do not use any products with unknown composition.
- A detailed list of suitable cleaning products is available from our support service on request.

Unsuitable cleaning products

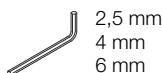
- Abrasive products/objects (e.g. scouring agents, scourer sponge, brushes, steel wool, microfibers, dirt erasers)
- Alkaline, acidic and chlorine-based cleaning products, solvents
- Steam cleaners
- Do not treat metal components with objects containing iron (e.g. scourer sponge, steel wool).

Disposal

Disposal of the product and packaging is subject to the relevant national regulations.



This product uses metric socket screws. If using imperial hex keys, please choose an appropriate size.



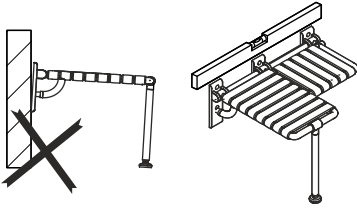
Warning notices



CAUTION!

Risk of injury

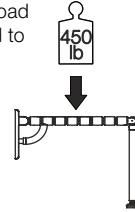
Improperly mounted lift-up seats (loose or at an angle) may lead to injuries due to slipping or falling. Make sure lift-up seats are installed securely and in a horizontal position.



CAUTION!

Risk of injury

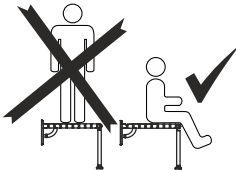
Exceeding the maximum load of the lift-up seat may lead to injuries due to falling. Observe maximum load. Ensure that the wall structure and fixings are reinforced as required to permanently withstand the expected load.



CAUTION!

Risk of injury

Any improper use, e.g. as a gymnastic apparatus or climbing aid, may lead to injuries due to slipping or falling. Never step or jump on the seat.



NOTICE

Risk of material damage

The surface of the seat is sensitive and can suffer scratching caused by dust or dirt on or near the installation site. Keep the seat in its packaging whenever possible. Once the seat is installed, put the protective foil back around it until all construction work is done and the seat is ready to be used.

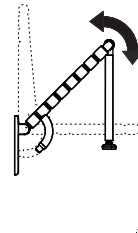
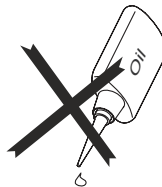
Maintenance



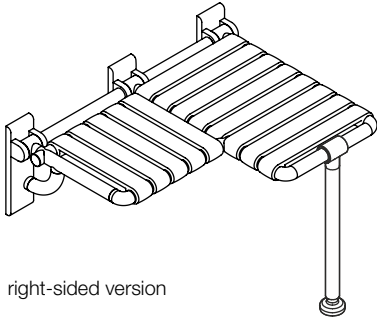
CAUTION!

Risk of injury

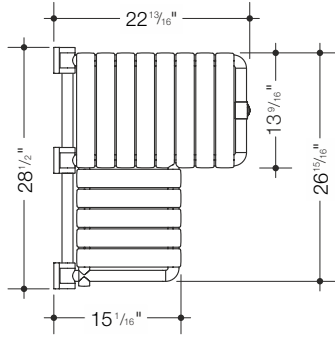
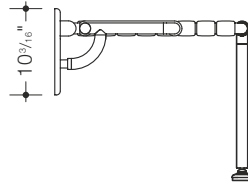
Failing or improperly set brakes may lead to injuries. Have the brakes checked and readjusted as required **at least once a month**. Do not use any kind of lubricant on the joints or brake discs.



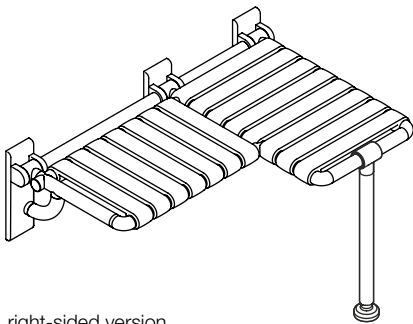
801.51US321S



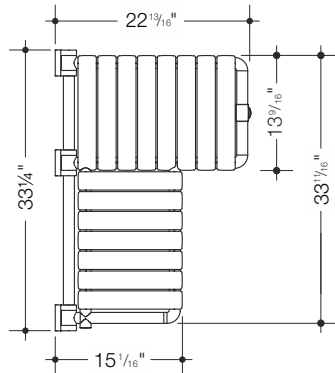
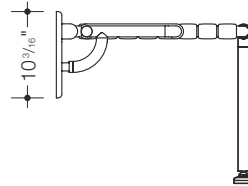
right-sided version



801.51US331S

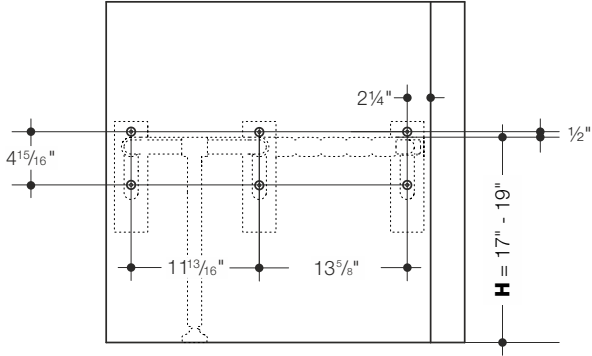


right-sided version

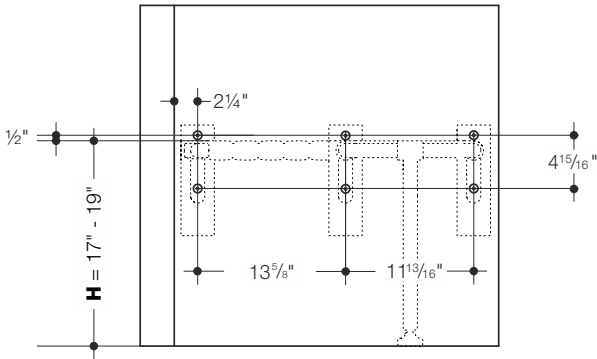


Mounting

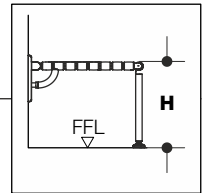
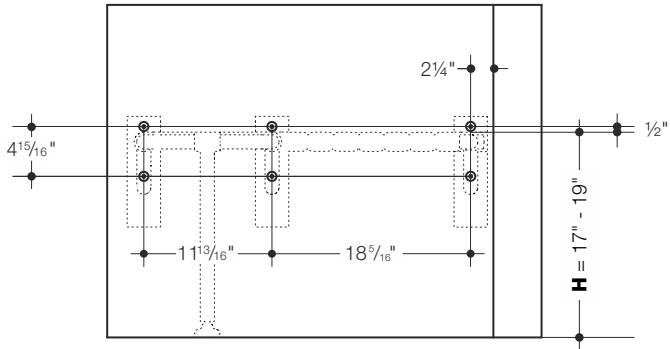
801.51US321S - left side



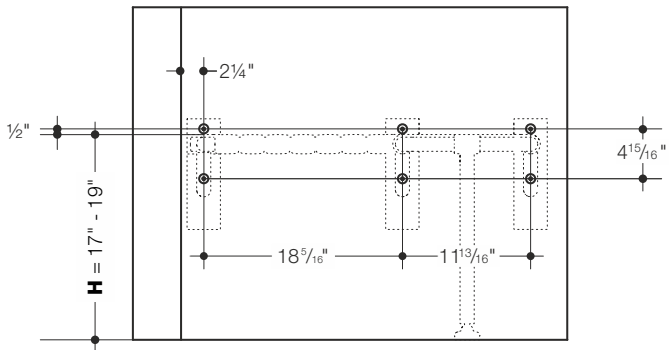
801.51US321S - right side



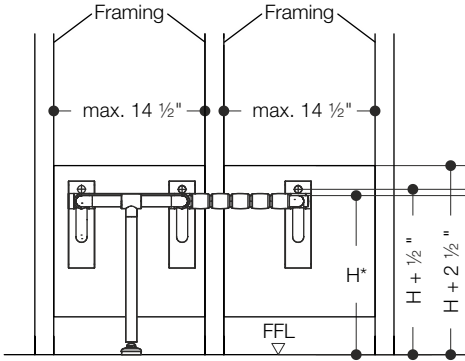
801.51US331S - left side



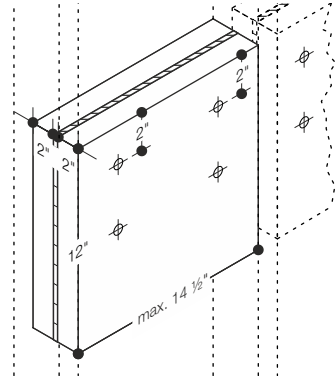
801.51US331S - right side



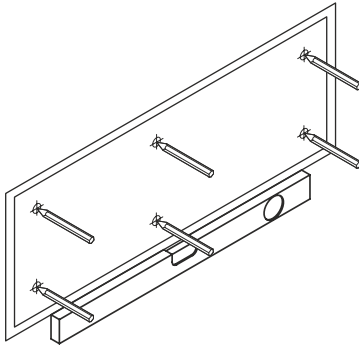
Mounting



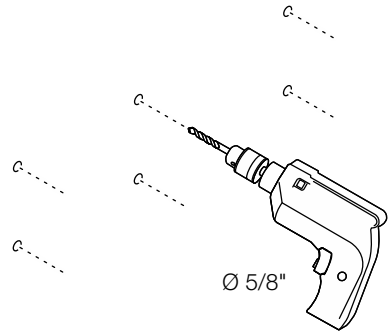
***H = 17"-19"**



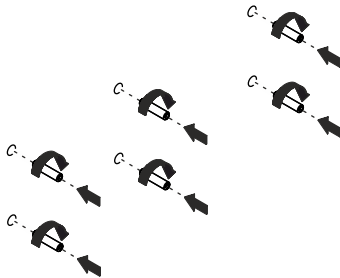
1



2

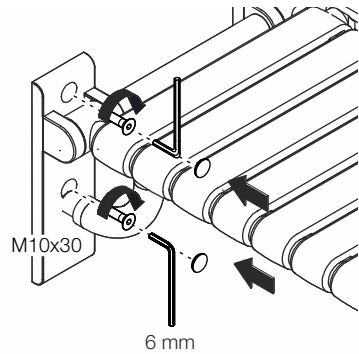


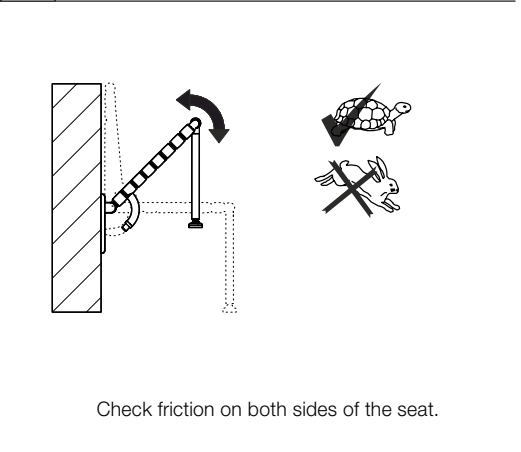
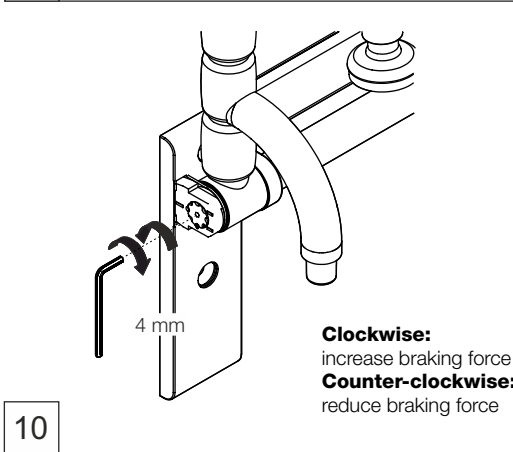
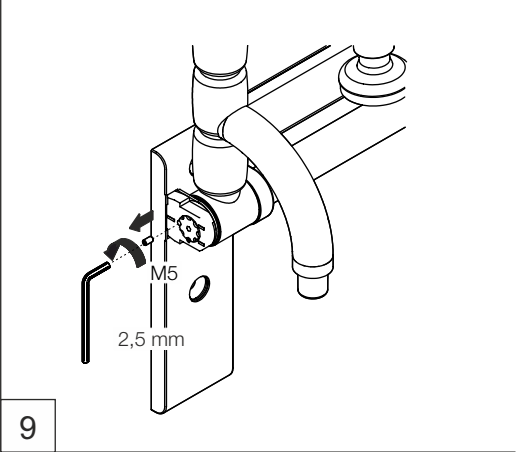
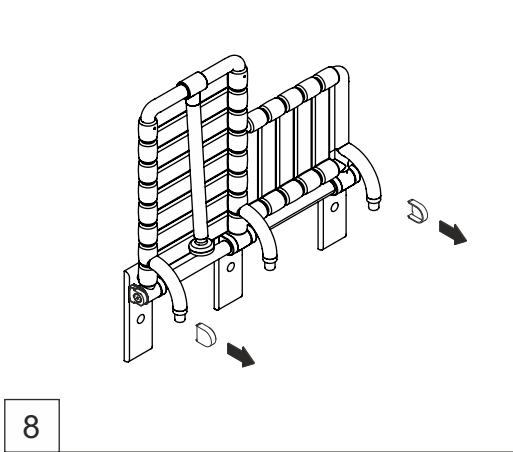
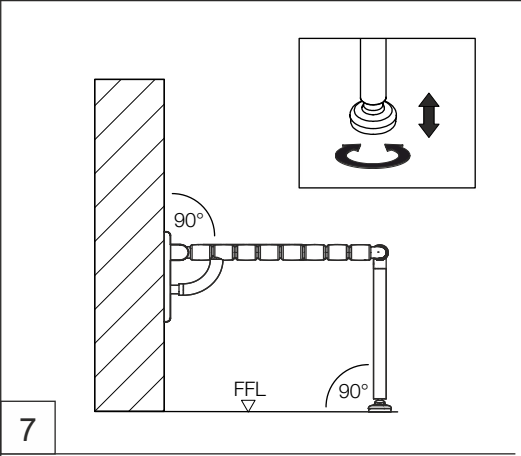
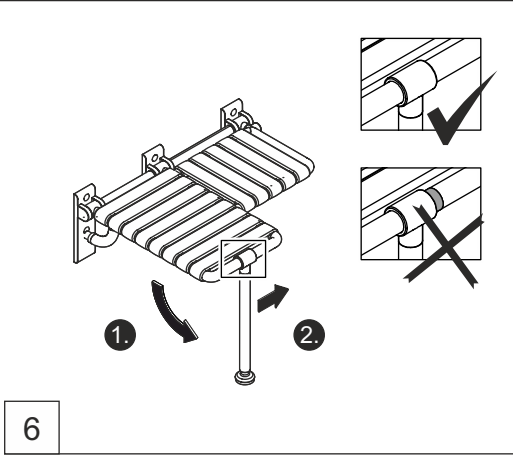
! The screw inserts must be flush with the finished wall.



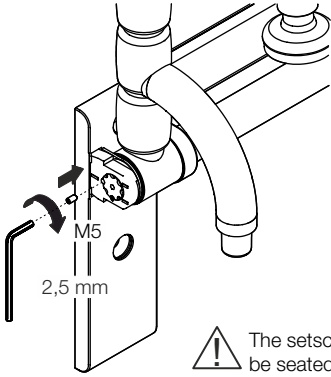
3

4




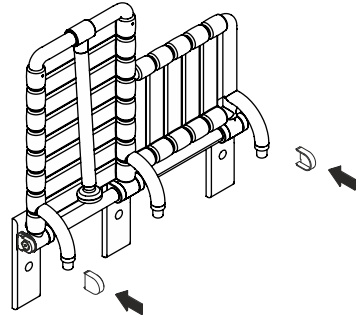


Mounting

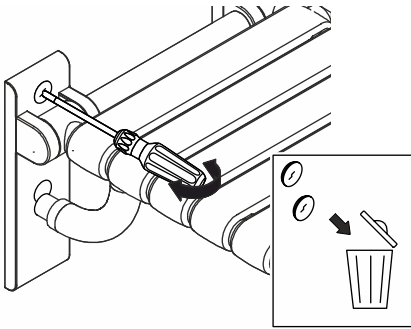


11

 The setscrew must be seated flush.



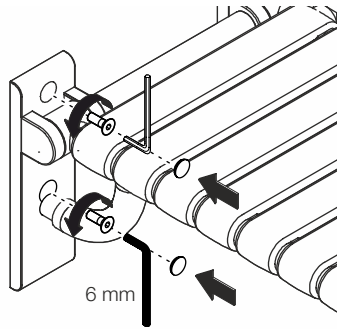
12



1

To remove

Pierce caps in the middle and prise off.



2

HEWI

www.hewi.com

Deutschland

HEWI Heinrich Wilke GmbH

Postfach 1260

D-34442 Bad Arolsen

Telefon: +49 5691 82-0

Telefax: +49 5691 82-319

info@hewi.de