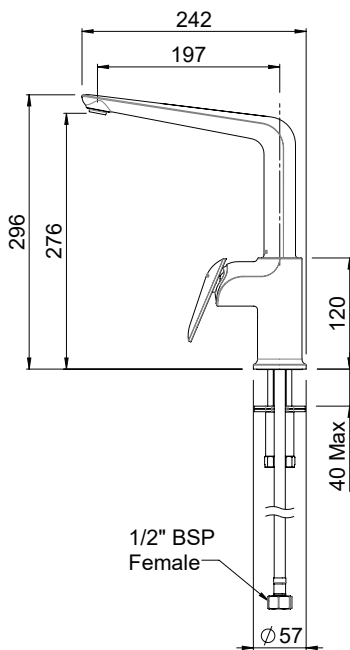


AIO SINK MIXER



CONSTRUCTION: Brass body

CARTRIDGE TYPE: Ceramic

CLASSIFICATION: Suitable for **mains pressure** only

CONNECTIONS: 1/2" BSP Female

WORKING PRESSURE: 150 - 1000 kPa

DIMENSIONS FOR FITTING: 35 - 42mm diameter hole

OPERATING TEMPERATURE: 5 °C - 80 °C

WATER FLOW RATE: 7.5 L/min

- Swivels at the spout
- Maximum bench thickness of 40mm
- Slim stream shape aerator with directional swivel
- Stainless steel flexible inlet hoses
- Dezincification Resistant brass body for greater durability and safe water
- 4 star WELS rated on mains pressure (7.5 L/min)

AOKCP

Chrome

AOKBK

Matte Black

<http://www.methven.com/nz>