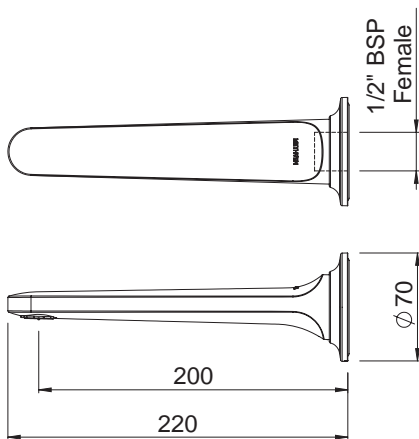


AIO BATH SPOUT



CONSTRUCTION: Eco Brass

CLASSIFICATION: Suitable for all pressure systems

INLET CONNECTIONS: 1/2" BSP Female

OUTLET CONNECTION: N/A

WORKING PRESSURE: 35-1000kPa

OPERATING TEMPERATURE: 5 °C - 80 °C

- Quick-fit connector
- Lead free brass to protect water quality
- 200 mm spout for wide range of bath specifications

AOSPWBTCP

Chrome

<http://www.methven.com/nz/aio-wall-mounted-bath-spout-o>