

## CATIA

CILT01

Catia Mini Wall Mounted Single Arm Sconce with Shade



### TECHNICAL DETAILS

Ambient / Task: Ambient  
Bulb Type: Dedicated LED  
Depth / Width: 5 1/8"  
Height: 8 1/2"  
Installation Type: Wall Mounted  
Interior / Exterior Application: Interior Only  
Junction Box Orientation: Vertical  
Length: 3 9/16"  
Number of Bulbs: One  
Orientation: Up  
Primary Material: Brass  
Safety Warnings: ALWAYS DISCONNECT THE POWER BEFORE INSTALLING AND BEFORE CLEANING OR OTHER MAINTENANCE. CONSULT A QUALIFIED, LICENSED ELECTRICIAN TO ENSURE CORRECT BRANCH CIRCUIT CONDUCTOR.  
Shade Finish: White or Black  
Shade Material: Etched Blown Cased Glass or Metal  
Shade Shape: Tapered Cylinder  
Suggested Application: Bath, Entry, Kitchen, Laundry  
Voltage: 120V  
Wet / Dry: Damp or Dry

### INSPIRATION

Traditional sconce lighting, reinterpreted in a modern way. In this classic design, familiar silhouettes are reduced to their minimalist essence.

### CODES & STANDARDS

cETL

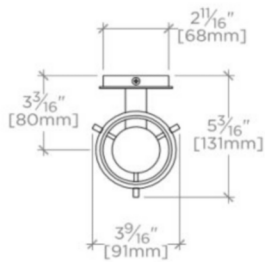
### PRODUCT FEATURES

Proprietary design  
Solid brass with white glass or black metal shade  
cETL Listed; 3000K, 90CRI, 350Lms  
Vertically Mounts  
Dimmable LED fixture - 50,000 hours of life

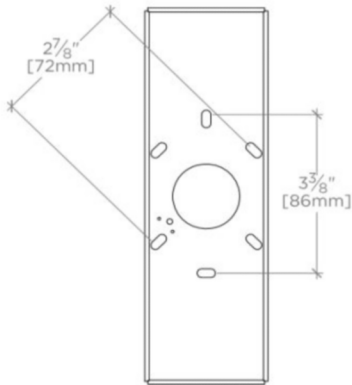
## CATIA

CILT01

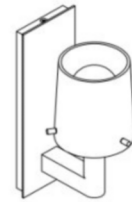
Catia Mini Wall Mounted Single Arm Sconce with Shade



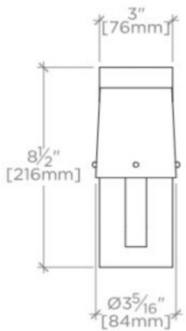
TOP VIEW SCALE:  $1\frac{1}{2}$ "=1'-0"



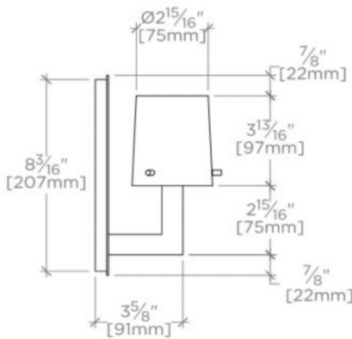
MOUNTING PLATE SCALE: 3"=1'-0"



ISO VIEW SCALE:  $1\frac{1}{2}$ "=1'-0"



FRONT VIEW SCALE:  $1\frac{1}{2}$ "=1'-0"



SIDE VIEW SCALE:  $1\frac{1}{2}$ "=1'-0"