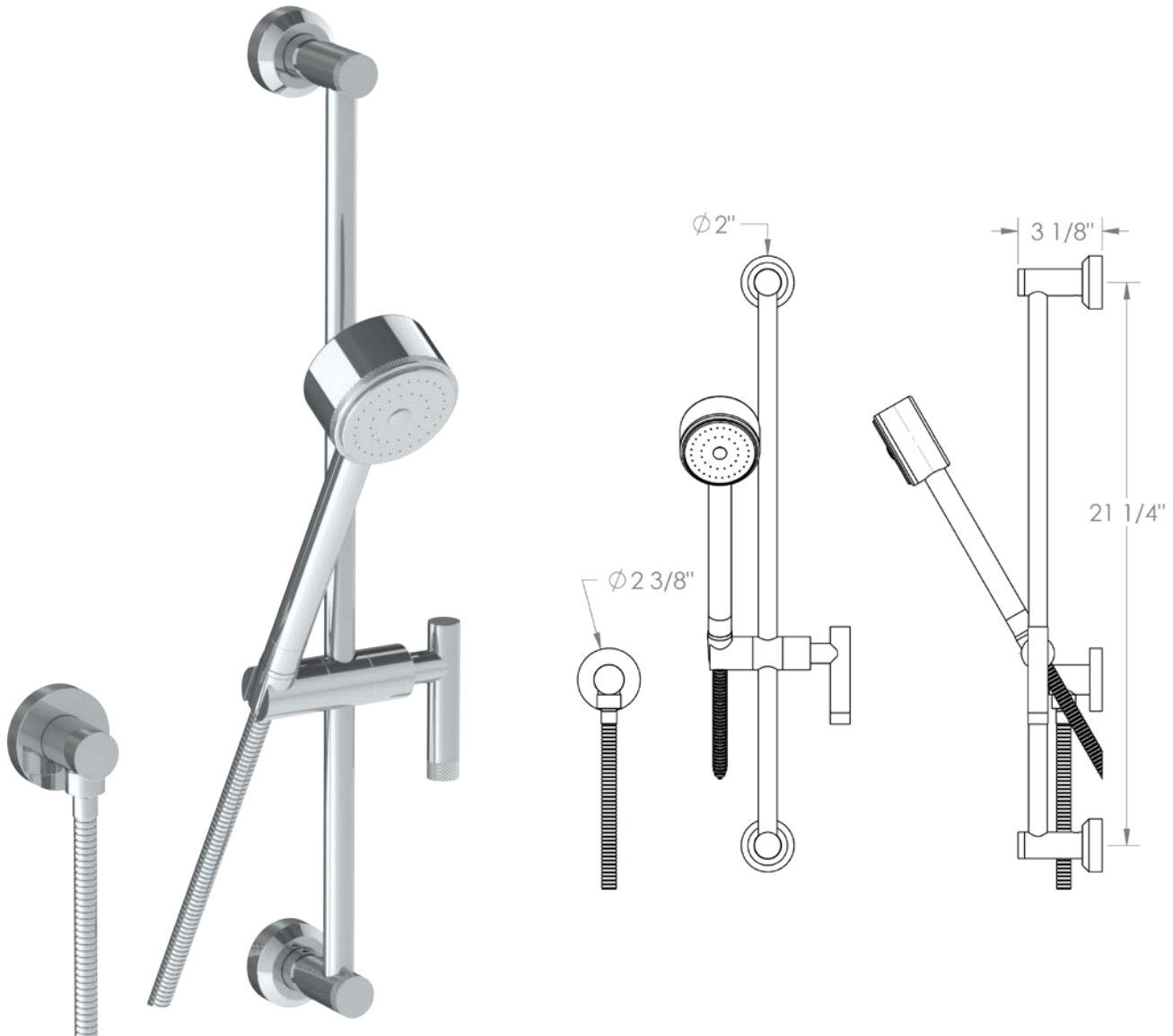


25-HSPB1-IN14

Positioning Bar Shower Kit with Hand
Shower Flow Rate: 1.75 GPM



Meets the applicable requirements of ASME A112.18.1-2005/CSA B125.1-05, entitled "Plumbing Supply Fittings"