



WE ARE IB

Collection

KITCHEN

Article

UN370

Description

Sink mixer

Box Dimensions

225x98x70 mm

Weight

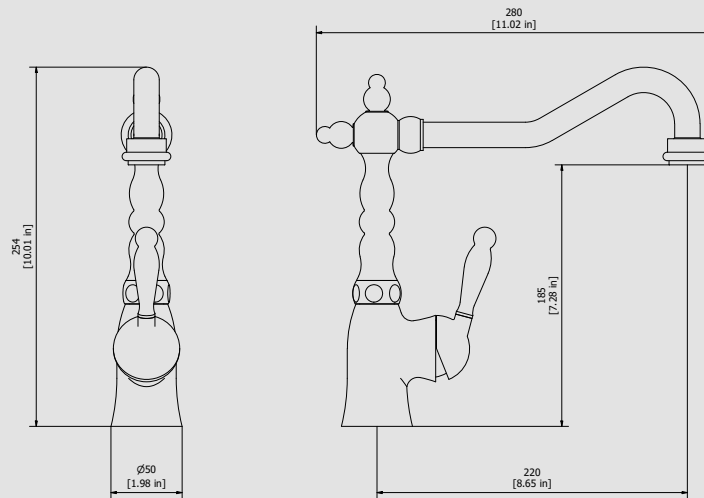
2.2 kg

Finishes

- CC**
CHROME
- PL**
PLATINUM
- SS**
BRUSHED
NICKEL
- ON**
NATURAL
BRASS
- BO**
MATT
WHITE
- NP**
MATT
BLACK
- CF**
BLACK
CHROME
- CS**
BRUSHED
BLACK
CHROME
- II**
PALE
GOLD
- IS**
BRUSHED
PALE GOLD
- RS**
ROSE
GOLD
- SR**
BRUSHED
ROSE GOLD
- OO**
GOLD
- OS**
BRUSHED
GOLD
- RR**
ANTIQUÉ
COPPER
- BB**
ANTIQUÉ
BRONZE



Dimensions



Cartridge

Ceramic cartridge $\varnothing 35$

Threaded fitting

Inox hose M10x1 G3/8" F L400

Aerator

M24x1

Flow Rate (+/-10%)

| 1 BAR | 2 BAR | 3 BAR |
|-------|---------|---------|
| 3 l/m | 4.4 l/m | 4.5 l/m |

Production

Main body is a single hot stamped pieces

Material

BRASS
According to CuZn39Pb3 (CW614N)
Max Lead content: 2.5%

IB RUBINETTERIE s.p.a
via dei Pianotti 3/5
25068 Sarezzo (BS) - Italy -

T. +39 030 802101
F. +39 030 803097
info@weareib.it

P.IVA 01785230986
capitale sociale
€420.000,00 i.v.

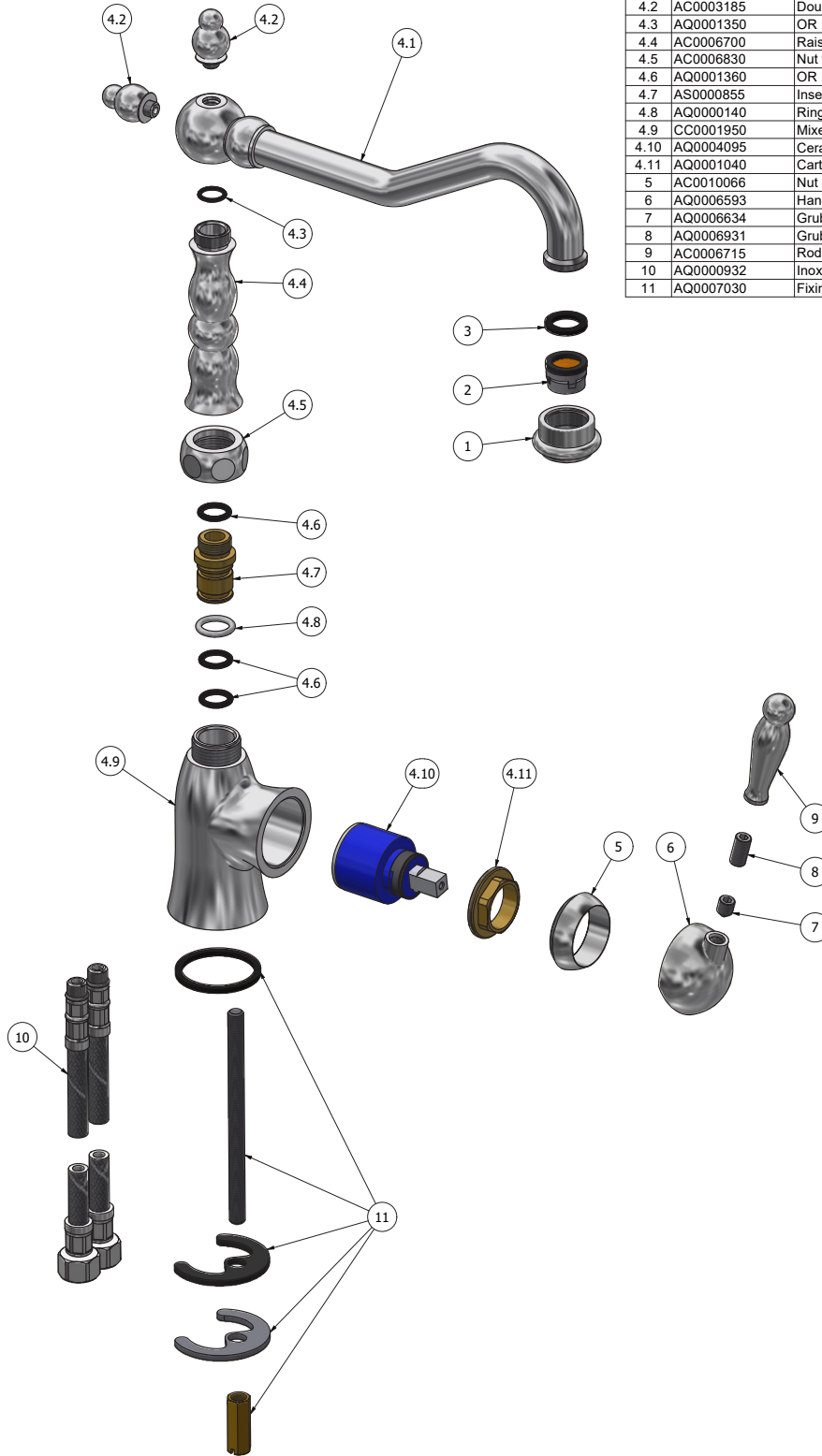
www.weareib.it





WE ARE IB

| Elenco parti | | | |
|--------------|---------------|--------------------------------------|----|
| ELEM. | CODICE | NUMERO DI MAGAZZINO | QT |
| 1 | AC0003180 | Perlator insert M22x1 H18.5 | 1 |
| 2 | AQ0003470 | Perlator cartridge M24 (22.3110.001) | 1 |
| 3 | AQ0003670 | Seal 21.3x15 H2.8 | 1 |
| 4 | CPKUN370CCX01 | Preassembled sink mixer | 1 |
| 4.1 | AC0003205 | Sink dispenser | 1 |
| 4.2 | AC0003185 | Double ball knob M8x1 | 2 |
| 4.3 | AQ0001350 | OR 11.11x1.78 NBR 70 SH | 1 |
| 4.4 | AC0006700 | Raising for basin/sink H99 | 1 |
| 4.5 | AC0006830 | Nut for extension | 1 |
| 4.6 | AQ0001360 | OR 11.91x2.62 NBR 70 SH | 3 |
| 4.7 | AS0000855 | Insert G3/8" H34.2 | 1 |
| 4.8 | AQ0000140 | Ring Ø20 Ø3 PTFE | 1 |
| 4.9 | CC0001950 | Mixer body H97.5 | 1 |
| 4.10 | AQ0004095 | Ceramic cartridge Ø35 9x9 (K35A) | 1 |
| 4.11 | AQ0001040 | Cartridge ring nut M37x1.5 H9 | 1 |
| 5 | AC0010066 | Nut cover M37x1,5 Ø40.3 H13 | 1 |
| 6 | AQ0006593 | Handle | 1 |
| 7 | AQ0006634 | Grubscrew M8x10 cone point | 1 |
| 8 | AQ0006931 | Grubscrew M8x16 flat point | 1 |
| 9 | AC0006715 | Rod H65 M8 | 1 |
| 10 | AQ0000932 | Inox hose M10x1 G3/8" F L400 | 2 |
| 11 | AQ0007030 | Fixing set | 1 |





WARRANTY

All IB Rubinetterie SpA products are warranted for 10 years from the date of purchase, for the following cases:

- Defects of casting, porosity and chrome plating.
- Operating defects caused by incorrect fabrication.

The warranty provides for repair or replacement of products with fabrication defects recognized by our technical office. There is no other type of compensation anche the merchandise must be returned FOB our warehouse. The warranty only cover surface defects (scatches, dings, etc.) on fitting that have not been installed and used, returned in its original packaging with all components. O-ring, gasket seals and components subject to wear proportional to use are warranted for 2 years.

The warranty is void in the following cases:

Error installing and putting the product into service.

Deterioration of finished surfaces due to use of cleaning products containing acids or abrasive substances. Deterioration of surface with finishes other than chrome plating. Their durability is, in fact, dependent on the user's care and gentleness of use.

Deterioration of the fitting due incorrect installation.

Improper repairs and maintenance performed without the company's prior authorization.

The warranty from IB Rubinetterie SpA is not renewable.

Cleaning

We recommended cleaning the finish surfaces with water and soap, using a soft cloth.

Do not use detergents that contain hydrochloric acid or abrasive substances.

