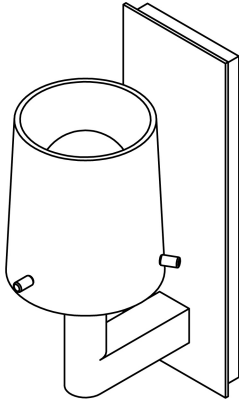
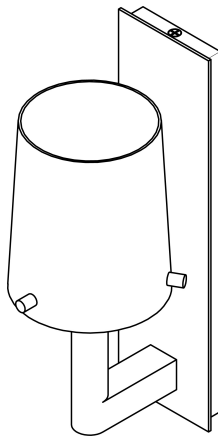


Style No. CILT01 [CI01LT]

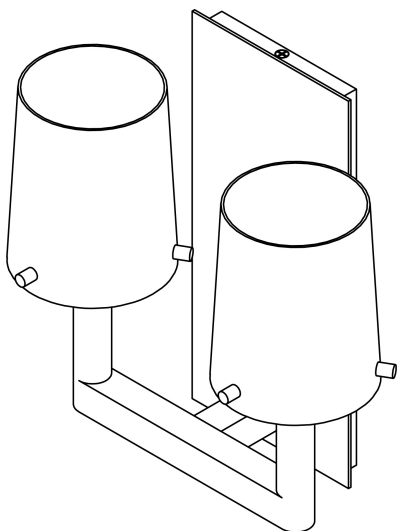
Catia Mini Wall Mounted Single Arm Sconce

**Style No. CILT02 [CI02LT]**

Catia Wall Mounted Single Arm Sconce

**Style No. CILT03 [CI03LT]**

Catia Wall Mounted Double Arm Sconce



* All items in [brackets] refer to CE styles

SPECIFICATIONS:

Gem Box Orientation: vertical

Outlet Box: gem box or octagon box

Outlet Box Size for CILT01 [CI01LT] and CILT02 [CI02LT]: 3-1/4" Gem box.

Outlet Box Size for CILT03 [CI03LT]: 3-1/2" Octagon box.

Orientation for each model: Wall Only

Shade Material: Glass or Metal

Voltage: 120 [240]

Required Electrical Feeds:

Black "Hot" wire; White "Neutral" wire; Green or Bare "Ground" wire

[Brown "Line" wire; Blue "Neutral" wire; Green/Yellow Striped or Bare "Earth" wire]

IMPORTANT:

- **WARNING:** The power supply must be turned off prior to installation. Turn off the main electrical supply to the outlet box from the fuse box/circuit breaker. Turning power off at the switch is not sufficient.
- To ensure this product is installed properly, you must read and follow these guidelines.
- The owner/user of this product must keep this information for future reference.
- CILT01, CILT02, CILT03 are ETL certified and suitable for damp or dry locations. The ETL listing mark can be found on the inside of the cover plate.
- CI01LT, CI02LT, and CI03LT are CE rated. Proof of CE compliance will be provided upon request.
- Be sure your installation conforms to all federal, state, and local codes.
- This product must be installed by a professional licensed electrical contractor.
- Refer to the specification and assembly drawings attached. Product is sold partially assembled but shown fully disassembled for illustrative and service purpose only.

These guidelines have been prepared for the professional contractor to aid in the installation of:

CATIA WALL MOUNTED MINI / SINGLE / DOUBLE ARM SCONCE

STYLE# CILT01 / CILT02 / CILT03 / [CI01LT / CI02LT / CI03LT]

All dimensions are based on original specification and are subject to change and variation.

Please consult your Design Associate for current specifications.

WATERWORKS

**CILT01 [CI01LT] / CILT02 [CI02LT] / CILT03 [CI03LT]
INSTALLATION:**

- **REQUIRED:** Based on sconce type, install either a gem box or octagon box at the desired height.
1. Connect the white wire from the driver to the white wire from the outlet box using a wire nut. Tightly wrap the connection with electrical tape beginning 1" [25mm] below the wire nut to ensure the tape seals the end of the nut. Make sure that there are no exposed wires that could cause a short circuit.
 2. Repeat previous step with the black wires from the driver and outlet box. Make sure the driver and all wires are pushed into the outlet box.
- See Figure - 01 for Step 3.
3. Remove the MOUNTING PLATE from the CANOPY by removing 2 MOUNTING PLATE SCREWS.

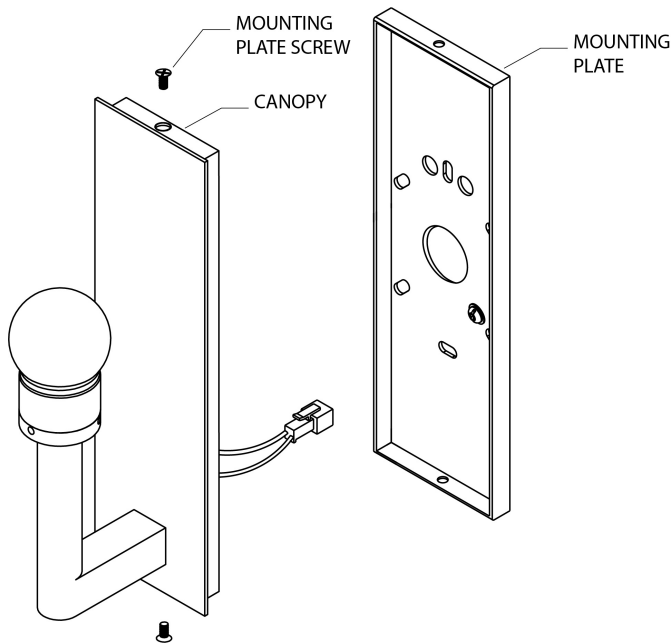


FIGURE - 01

- See Figure - 02 for Steps 4-5.
4. Install the mounting plate onto the OUTLET BOX by first fastening the ground wire to the MOUNTING PLATE using the GROUND SCREW.
 5. Attach the MOUNTING PLATE to the OUTLET BOX using the OUTLET BOX SCREWS making sure the output wires from the driver inside the OUTLET BOX extend through the hole in the MOUNTING PLATE.

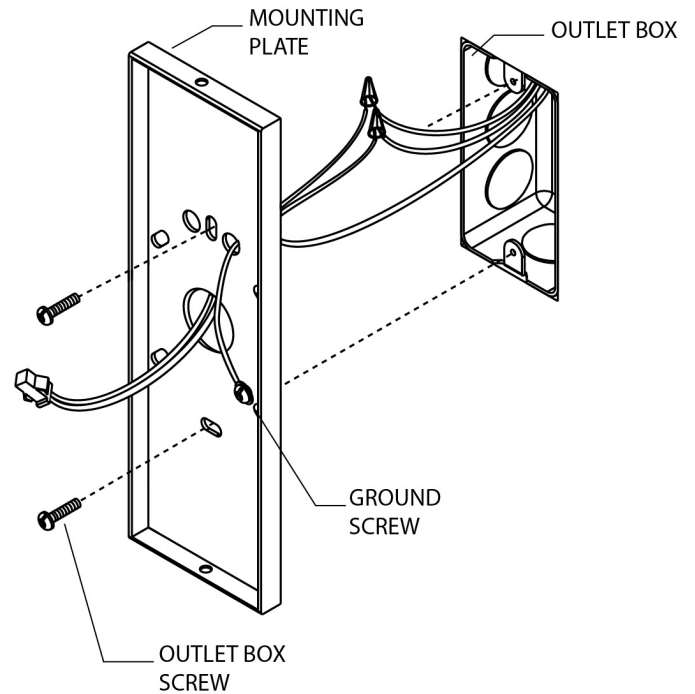


FIGURE - 02

These guidelines have been prepared for the professional contractor to aid in the installation of:
CATIA WALL MOUNTED MINI / SINGLE / DOUBLE ARM SCONCE
STYLE# CILT01 / CILT02 / CILT03 / CI01LT / CI02LT / CI03LT
 All dimensions are based on original specification and are subject to change and variation.
 Please consult your Design Associate for current specifications.

W A T E R W O R K S

- See Figure - 03 for Step 6-7.
- 6. Connect the PLUG CONNECTORS from the FIXTURE and DRIVER together ensuring that the locking clip engages.
- 7. Mount CANOPY to MOUNTING PLATE using 2 MOUNTING PLATE SCREWS.

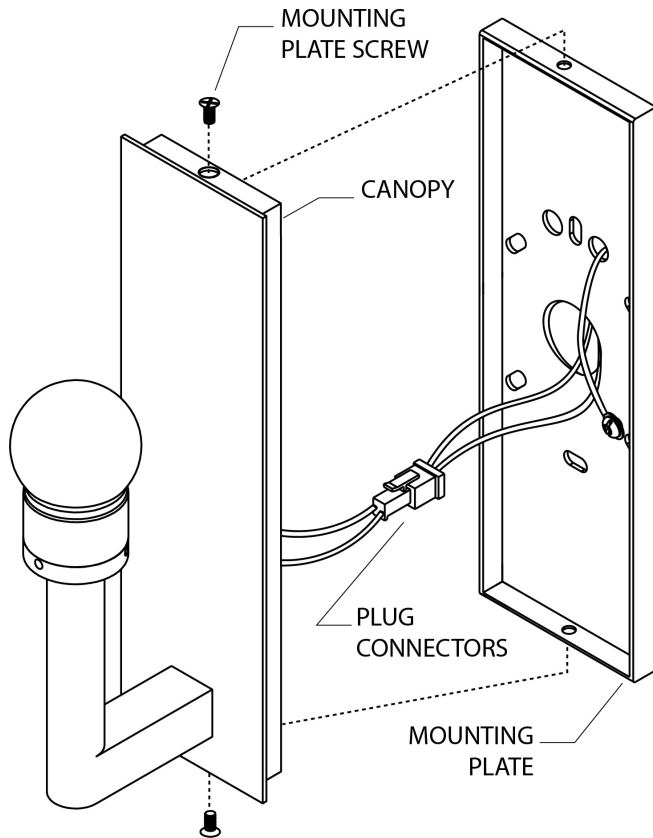


FIGURE - 03

- See Figure - 04 for Steps 8-9.
- 8. Mount SHADE(S) onto fixture by aligning holes in SHADE to holes on the CANDLE then mounting with 3 SHADE PINS. Be sure to thread each pin equally so the SHADE remains centered on the CANDLE.
- 9. Restore power to outlet box.

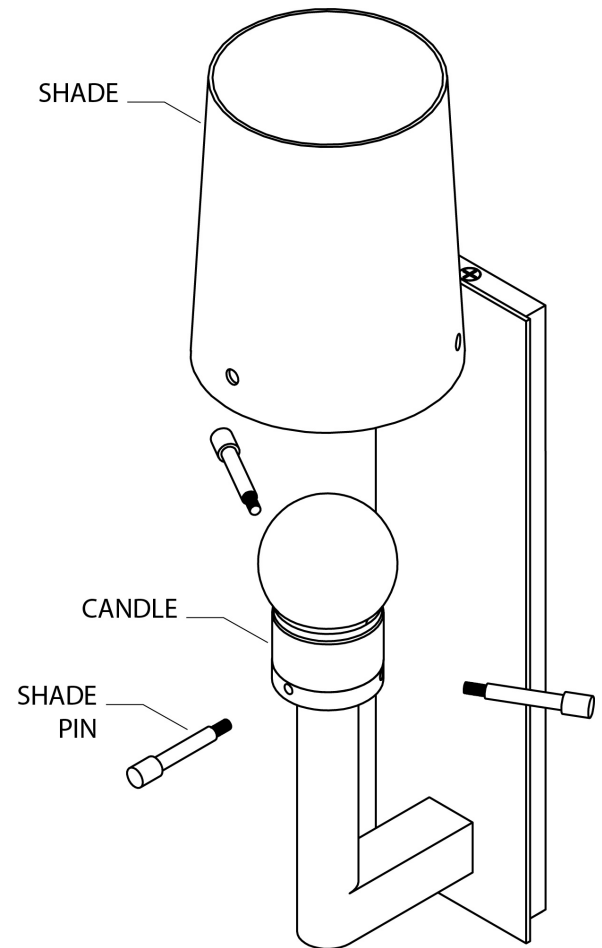


FIGURE - 04

These guidelines have been prepared for the professional contractor to aid in the installation of:
 CATIA WALL MOUNTED MINI / SINGLE / DOUBLE ARM SCONCE
 STYLE# CILT01 / CILT02 / CILT03 / [C101LT / C102LT / C103LT]
 All dimensions are based on original specification and are subject to change and variation.
 Please consult your Design Associate for current specifications.

WATERWORKS