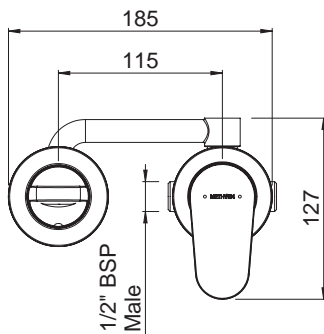
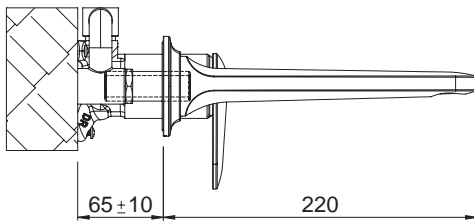


## AIO BATH SPOUT



**CONSTRUCTION:** Eco Brass

**CARTRIDGE TYPE:** Ceramic

**CLASSIFICATION:** Suitable for mains pressure only

**INLET CONNECTIONS:** 1/2" BSP Female

**OUTLET CONNECTION:** 1/2" BSP Male

**WORKING PRESSURE:** 150-1000kPa

**OPERATING TEMPERATURE:** 5 °C - 80 °C

**WATER FLOW:** 7.0 l/m

- Quick-fit connector
- Lead free brass to protect water quality
- 200 mm spout for wide range of bath specifications
- Ceramic cartridge
- 20mm installation tolerance
- 4 stars WELS rated on mains pressure (7.0 l/pm)

AOWBCP

Chrome

<http://www.methven.com/nz/aio-wall-mounted-mixer-spout-o>