



## Adjustable Shelf with Electrical Outlets K-99678-SH11

### Features

- For use with K-99507-LGL/TKL Jacquard®, K-99520-LGL/TKL Damask®, and K-99533-LGL/TKL Poplin® vanities.
- Catalyzed conversion varnish provides a durable moisture-resistant finish.
- Includes 4 electrical outlets (2 switched, 2 always live).
- Appliances can remain plugged in while vanity door is closed.

### Material

- Solid wood and veneers.

### Recommended Products/Accessories

K-23736 Furniture polish



### Codes/Standards

EPA TSCA Title VI  
CARB P2


### KOHLER® One-Year Limited Warranty

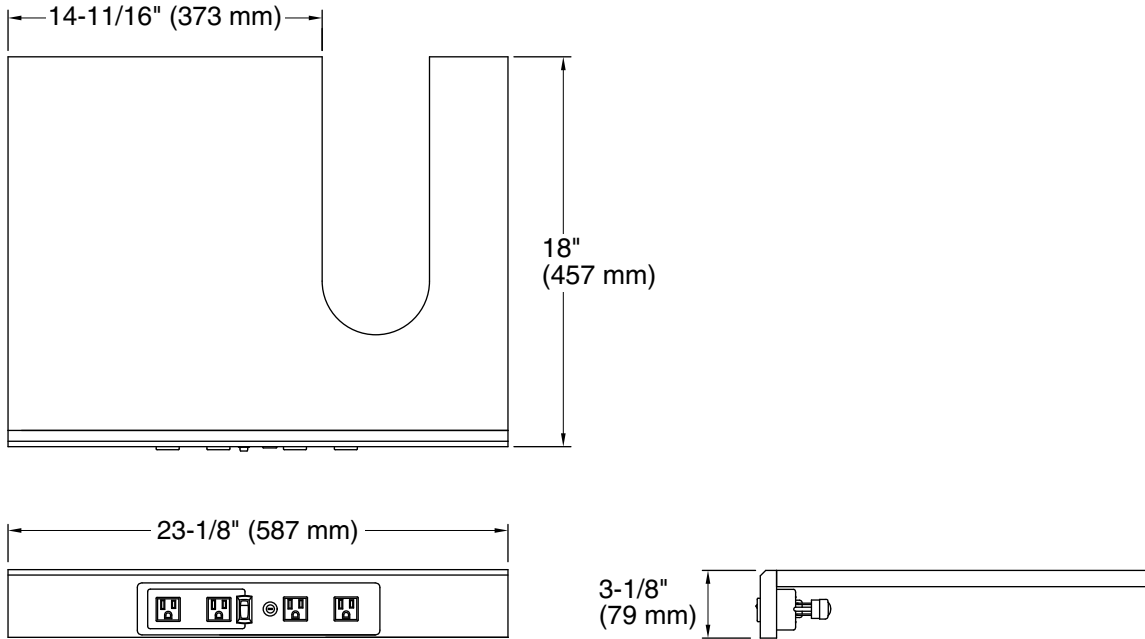
See website for detailed warranty information.

### Available Colors/Finishes

*Color tiles intended for reference only.*

Color	Code	Description
-------	------	-------------

	1WR	Oxford Maple
--	-----	--------------



### Required Electrical Service

One dedicated circuit required, protected with Class A Ground-Fault Circuit-Interrupter (GFCI). Outside North America, this device may be known as a Residual Current Device (RCD).  
120 V, 15 A, 60 Hz

### Technical Information

All product dimensions are nominal.

Material: Wood, Veneers

### Notes

Install this product according to the installation guide.  
Install a Ground-Fault Circuit-Interrupter (GFCI) outlet prior to installing the vanity.