

# KOHA SINK MIXER INSTALLATION GUIDE

## TECHNICAL SPECIFICATIONS

### Operating Pressure:

Min 35 kPa, Max 1000 kPa.

Recommended 35 kPa - 500 kPa.

Recommended installation of a pressure limiting valve if supply exceeds 500kPa.

### Operating Temperature:

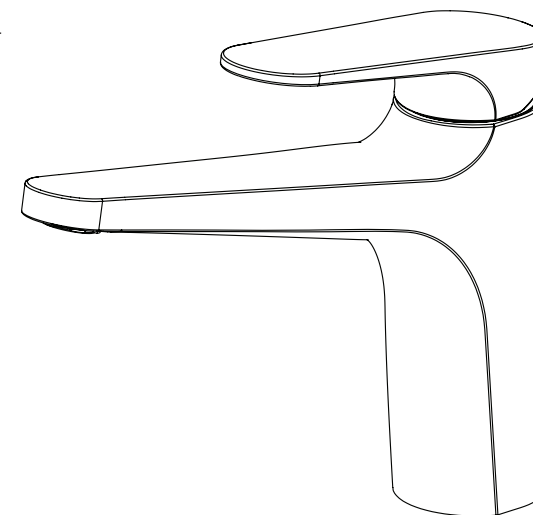
Hot: Max 80°C.

Cold: Min 5°C.

NB: New Zealand Building Code Clause G12 - Water Supplies specifies all outlets used primarily for personal hygiene shall deliver water at a safe temperature.

### Inlet Connections:

All 1/2" BSP.



Methven warrants this product against manufacturing defects and that it is suitable for use under the operating conditions specified in this instruction sheet.

For your warranty please refer to [www.methven.com](http://www.methven.com) or call Customer Service

New Zealand  
0800 804 222

Australia  
1300 638 483

USA  
1800 975 5409

UK  
0800 195 1602

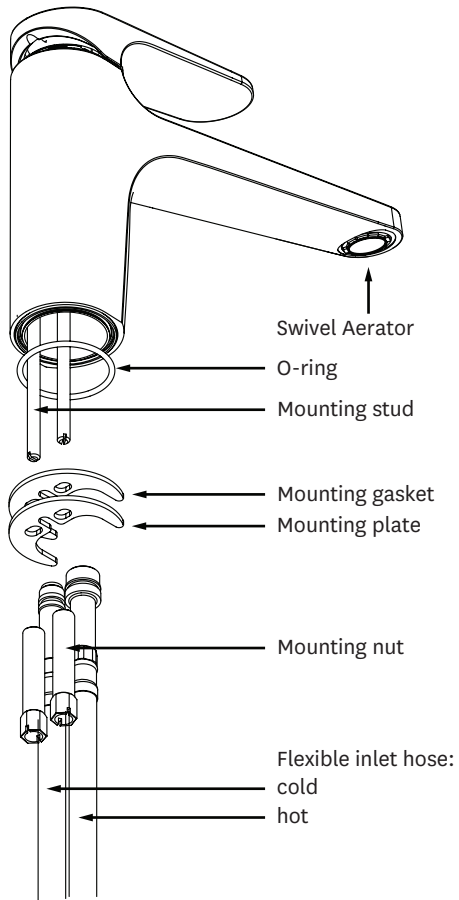


# IMPORTANT

## Please read all of the instructions before installation

This mixer is designed for equal and unequal pressure systems.

This mixer is not recommended for use in uncontrolled heating systems such as wet-backs or solar heating units.



### Equal Low Pressure and Unequal Pressure Installations

Remove flow restricted swivel aerator (yellow) using cache key.  
Replace with un-restricted (blue) swivel aerator.

All pipework must be thoroughly flushed prior to the installation of the mixer. In-line filters must be fitted on both hot and cold supplies to prevent foreign particles damaging the ceramic cartridge.

