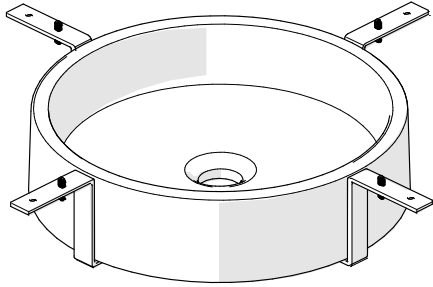
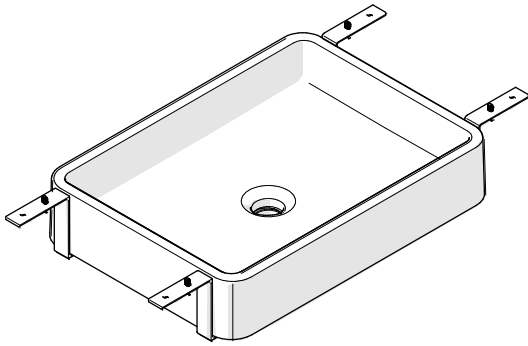


**STYLE No. CYLV31**  
Round Vitreous China Double Glazed Lavatory Sink



**STYLE No. CYLV41**  
Rectangular Vitreous China Double Glazed Lavatory Sink



### SPECIFICATIONS:

Drain Hole Depth: 1" [25mm] +  $\frac{3}{4}$ " [19mm] Extension Collar  
Drain Hole Diameter:  $\text{\O}1\text{-}5/8$ " [ $\text{\O}41\text{mm}$ ]  
Hole Required in Countertop:  $\text{\O}3$ " [ $\text{\O}76\text{mm}$ ]  
Installation Type: Vessel or Freestanding  
Overflow Opening: NO  
Tolerance: +/-  $3/16$ " [5mm]

### IMPORTANT:

- To ensure this product is installed properly, you must read and follow these guidelines.
- The owner/user of this product must keep this information for future reference.
- This product must be installed by a professional licensed contractor. Be sure your installation conforms to all federal, state, and local codes.
- All dimensions are based on original specifications and are subject to change and variation. Due to dimensional variations of Fine Fire Clay, CLARA sinks should be installed before templating countertops. Dimensions taken for the purposes of cutting templates should always be taken from each product directly. For flush/no reveal or reveal installations, the physical sink is required due to sink tolerances.
- The use of certain plumber's putty may stain stone or tile surfaces.

### UNDERMOUNT SINK INSTALLATION:

➤ Sink cutout and location to be determined by Homeowner/Designer. Cutout Template NOT PROVIDED.

1. Dry fit the SINK to the bottom of the COUNTERTOP, aligned with sink cutout.
2. Determine best placement for MOUNTING HARDWARE, and mark the 4 locations.

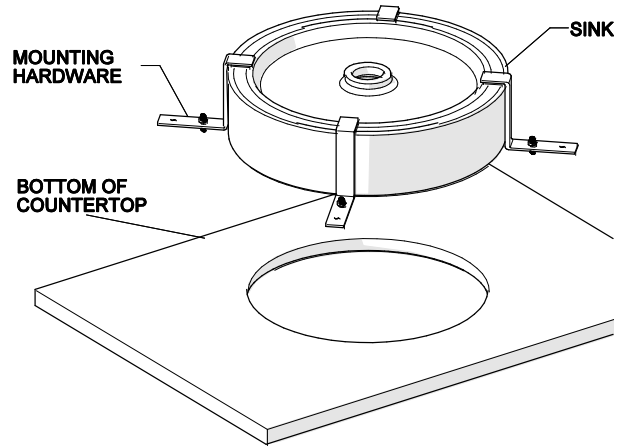


FIGURE - 01

3. Drill and install SET SCREWS at the locations marked in Step 2, using a stone epoxy (not provided).

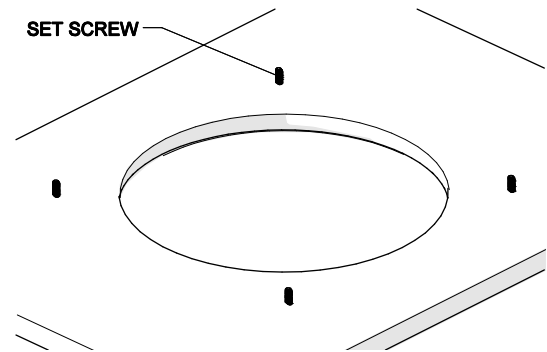


FIGURE - 02

- See Figure - 03 for Steps 4 and 5.
4. Apply a continuous bead of clear adhesive silicone to the top of the sink. Do NOT use putty.\*
5. Hold SINK against the COUNTERTOP, centered with the hole and attach MOUNTING BRACKETS using NUT making sure FOAM GASKET is between bracket and sink.

These guidelines have been prepared for the professional contractor to aid in the installation of:  
CLARA ROUND (STYLE No. CYLV31) & RECTANGULAR (STYLE No. CYLV41) UNDERMOUNT SINKS  
All dimensions are based on original specification and are subject to change and variation.  
Please consult your Design Associate for current specifications.

## WATERWORKS

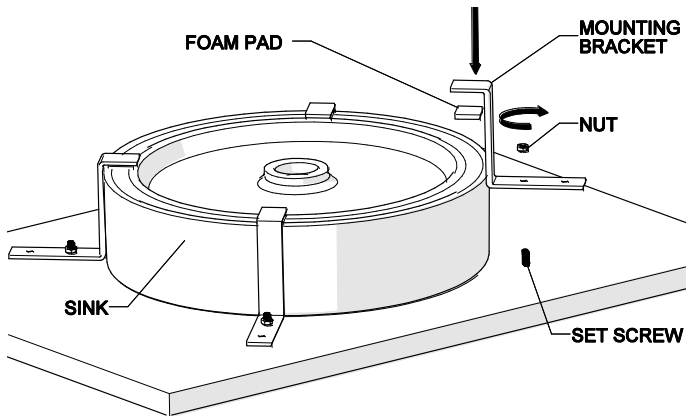


FIGURE - 03

**DRAIN INSTALLATION:**

- **NOTE:** DRAIN is NOT included with the sink; it is only shown for demonstrative purposes and is SOLD SEPARATELY.

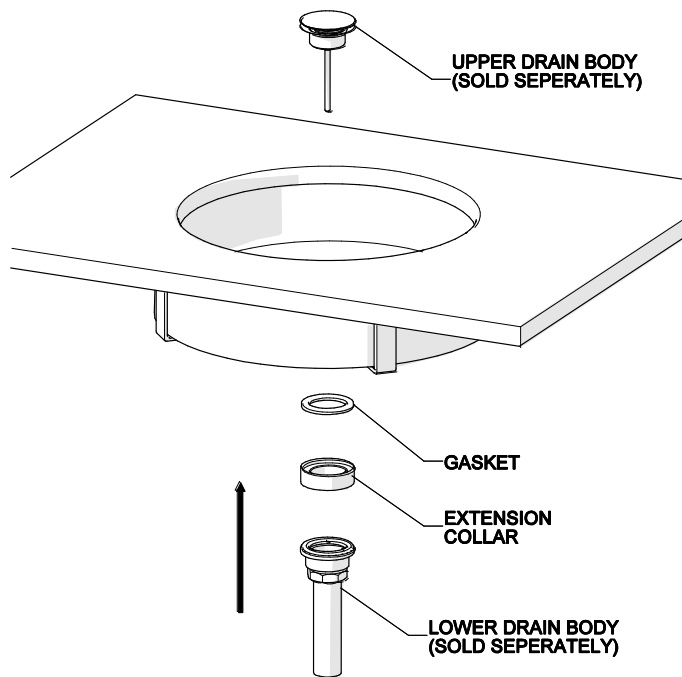


FIGURE - 04

6. Attach DRAIN (SOLD SEPARATELY) to the SINK using the EXTENSION COLLAR & GASKET, if needed. See Figure - 03 & Figure - 04.

- **NOTE:** EXTENSION COLLAR adds 3/4" [19mm] to the bottom of the sink for drains requiring a Drain Hole Depth greater than 1" [25mm].

**Without Extension Collar**

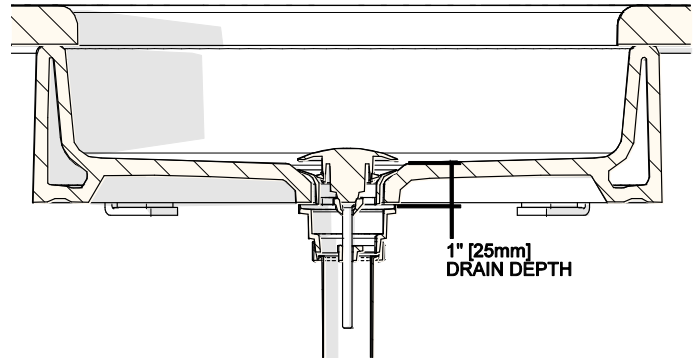


FIGURE - 05

**With Extension Collar**

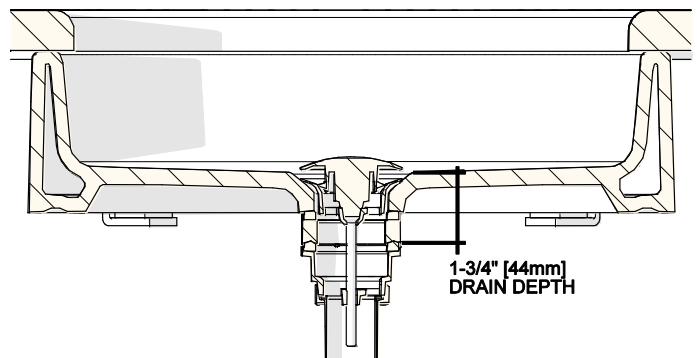


FIGURE - 06

**FINISH AND INSPECT THE INSTALLATION:**

7. Make all necessary supply, trap, and drain connections then turn the water on and check for leaks.
  8. Cover the SINK surface with a liner or other form of protection until construction is completed.
- If further assistance is required, please contact Product Support at 1-800-927-2120 Monday through Friday, 8am - 7pm EST.