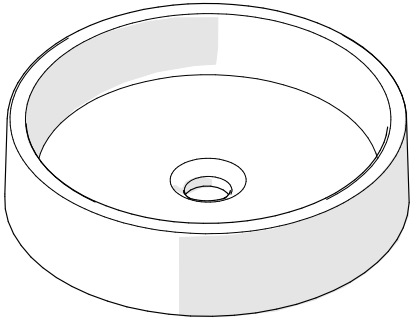
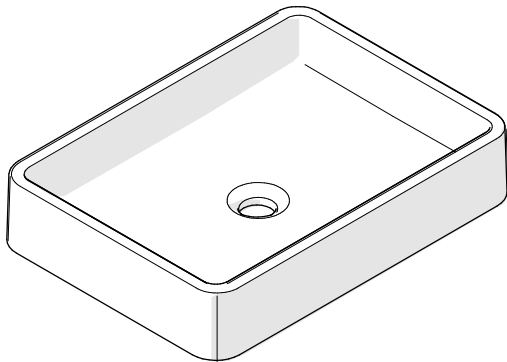


STYLE No. CYLV30
Round Vitreous China Double Glazed Lavatory Sink



STYLE No. CYLV40
Rectangular Vitreous China Double Glazed Lavatory Sink



SPECIFICATIONS:

Drain Hole Depth: 1" [25mm] + $\frac{3}{4}$ " [19mm] Extension Collar
Drain Hole Diameter: $\text{\O}1\text{-}5/8$ " [$\text{\O}41\text{mm}$]
Hole Required in Countertop: $\text{\O}3$ " [$\text{\O}76\text{mm}$]
Installation Type: Vessel or Freestanding
Overflow Opening: NO
Tolerance: +/- $3/16$ " [5mm]

IMPORTANT:

- To ensure this product is installed properly, you must read and follow these guidelines.
- The owner/user of this product must keep this information for future reference.
- This product must be installed by a professional licensed contractor. Be sure your installation conforms to all federal, state, and local codes.
- All dimensions are based on original specifications and are subject to change and variation.
- The use of certain plumber's putty may stain stone or tile surfaces.

VESSEL INSTALLATION:

1. Apply a continuous bead of clear adhesive silicone to the bottom of the sink. Do NOT use putty.*

APPLY A BEAD OF SILICONE

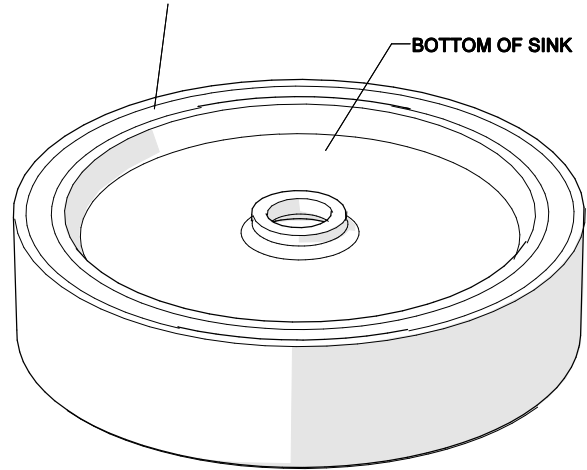


FIGURE - 01

2. Place SINK on COUNTERTOP centered with the $\text{\O}3$ " hole. Make sure to quickly wipe any excess silicone
- NOTE: DRAIN is NOT included with the sink; it is only shown for demonstrative purposes and is SOLD SEPARATELY.

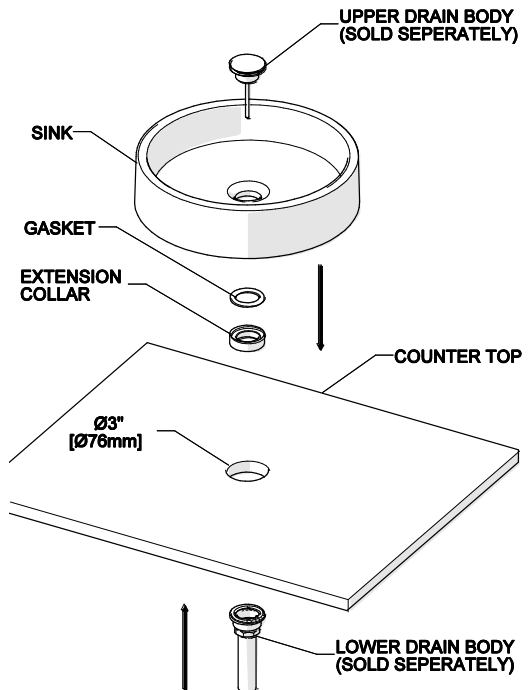


FIGURE - 02

3. Attach DRAIN (SOLD SEPARATELY) to the SINK using the EXTENSION COLLAR & GASKET, if needed. See FIGURE - 03 & FIGURE - 04.
- NOTE: EXTENSION COLLAR adds $3/4$ " [19mm] to the bottom of the sink for drains requiring a Drain Hole Depth greater than 1" [25mm].

These guidelines have been prepared for the professional contractor to aid in the installation of:
CLARA ROUND (STYLE No. CYLV30) & RECTANGULAR (STYLE No. CYLV40) VESSEL SINKS
All dimensions are based on original specification and are subject to change and variation.
Please consult your Design Associate for current specifications.

WATERWORKS

Without Extension Collar

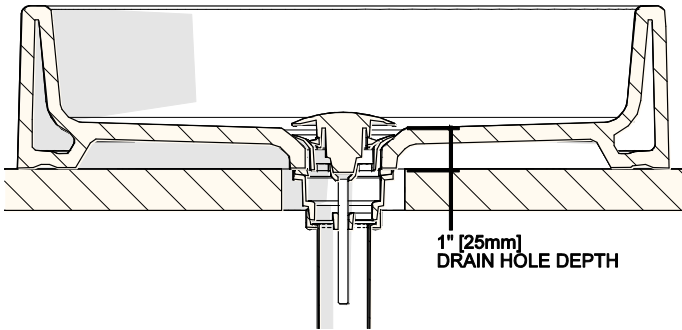


FIGURE - 03

With Extension Collar

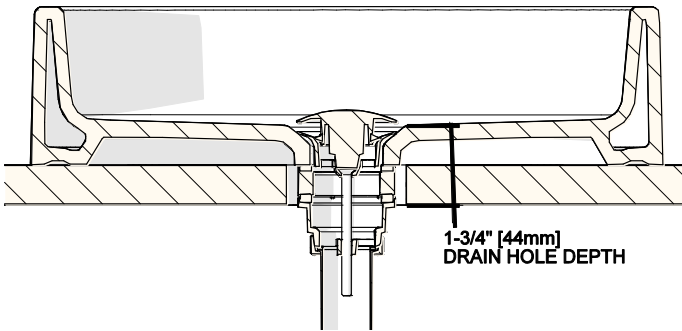


FIGURE - 04

FINISH AND INSPECT THE INSTALLATION:

4. Make all necessary supply, trap, and drain connections then turn the water on and check for leaks.
 5. Cover the SINK surface with a liner or other form of protection until construction is completed.
- If further assistance is required, please contact Product Support at 1-800-927-2120 Monday through Friday, 8am - 7pm EST.

These guidelines have been prepared for the professional contractor to aid in the installation of:
CLARA ROUND (STYLE No. CYLV30) & RECTANGULAR (STYLE No. CYLV40) VESSEL SINKS
All dimensions are based on original specification and are subject to change and variation.
Please consult your Design Associate for current specifications.

WATERWORKS