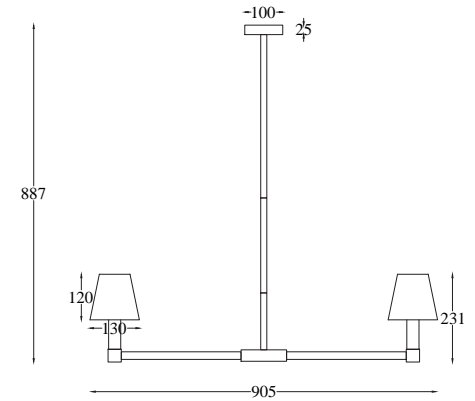
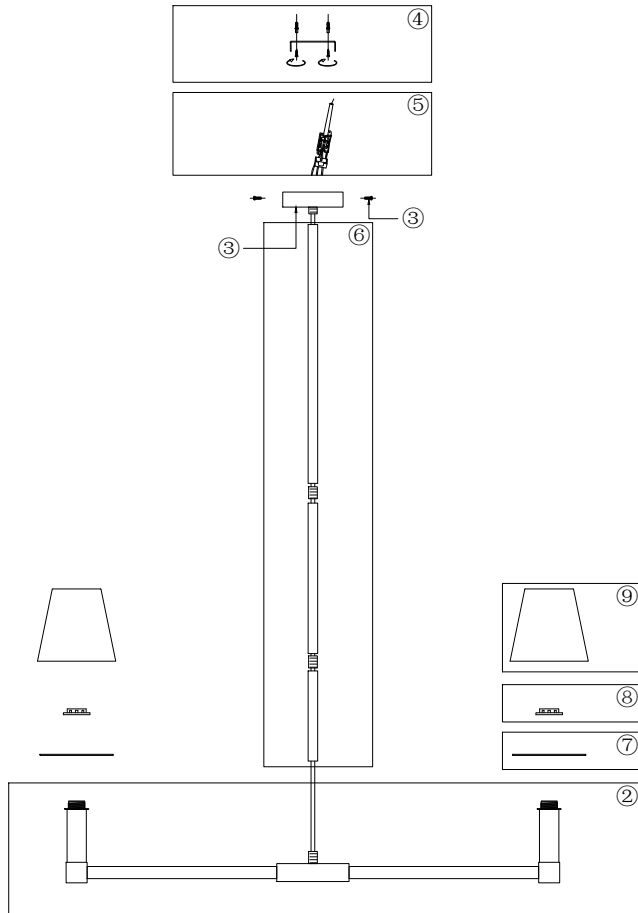


Instruction

MOD104PL-09B



9 x E14 (40W)

Model: MOD104PL-09B
Collection: Modern



Pendant Lamps