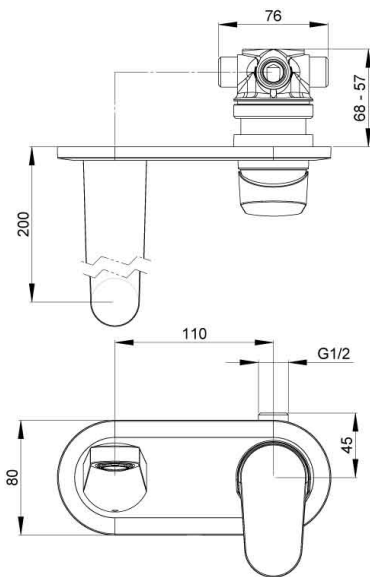
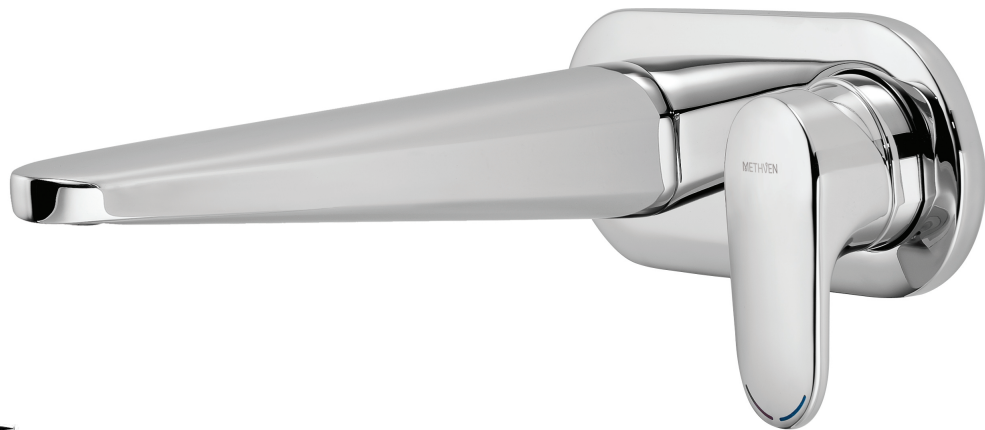


KIRI WALL MOUNTED MIXER WITH BACKPLATE



CONSTRUCTION: Brass body

CARTRIDGE: Ceramic (SP033510)

CLASSIFICATION: Suitable for mains pressure only

PIPE CONNECTION: 1/2" BSP Male

WORKING PRESSURE: 150 - 1000kPa

FLOW RATE: 6.5 l/pm

OPERATING TEMPERATURE: 5 °C - 80 °C

- Metal backplate
- Slim stream shaper aerator
- Spout projection of 200mm
- Quickfit adaptor for hassle free installation of spout
- 4 star WELS rated on mains pressure (6.5 l/pm)

KOWSLFCP

Chrome

<http://www.methven.com/nz/koha-wall-mounted-mixer-with-backplate>