



Underscore® Oval

72" x 42" heated whirlpool bath with center drain
K-5718-JH

Features

- Eight Flexjet® hydromassage jets can be individually adjusted for water flow and direction.
- Variable speed pump for adjusting massage intensity.
- Built-in heater.
- Slotted overflow allows for deep soaking.
- Oval-shaped basin offers a graceful and spacious bathing experience.
- Generous 72" length provides spacious bathing for up to two people.
- Wide ledge on one side is ideal for deck-mount faucet and/or handshower.
- Integral lumbar support.
- Textured bottom surface.

Material

- Acrylic.

Installation

- Drop-in.
- Center drain.

Required Products/Accessories

K-7271 Brass Slotted Overflow Bath Drain

or

K-7272 PVC Slotted Overflow Bath Drain

Recommended Products/Accessories

K-1491 Bath/Whirlpool Pillow

K-1601 Bath/Whirlpool Footstop

K-1703 Whirlpool Remote Control

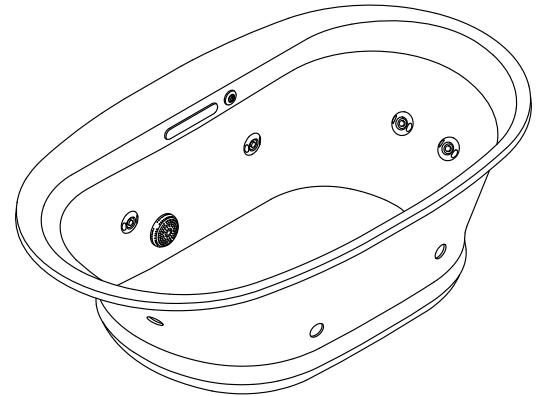
K-531 Under-Mount Installation Kit

K-9498 3" Keypad Trim

K-24916 Wireless Music Kit

K-1705 Whirlpool/BubbleMassage™ Remote Control

K-1177 Vinyl Tiling-in Bead



Codes/Standards

ASME A112.19.7/CSA B45.10

CSA B45.5/IAPMO Z124

ASTM E162

ASTM E662

UL 1795

CSA C22.2 No. 218.2







**KOHLER® Hydrotherapy Components
Five-Year Limited Warranty**

**KOHLER® Plastic Baths and Receptors
Lifetime Limited Warranty**

See website for detailed warranty information.

Available Colors/Finishes

Color tiles intended for reference only.

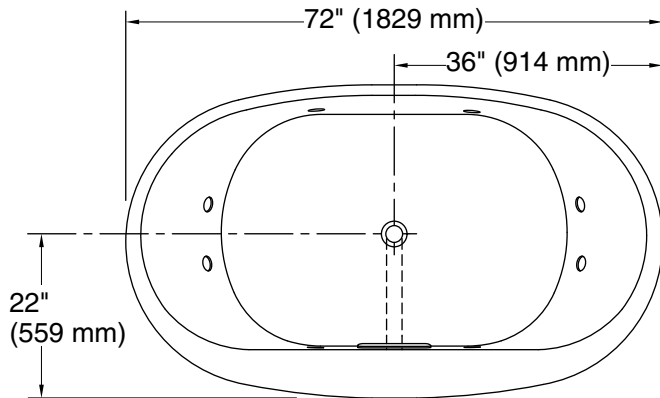
Color	Code	Description
	0	White
	96	Biscuit
	NY	Dune
	95	Ice™ Grey
	58	Thunder™ Grey
	7	Black Black™



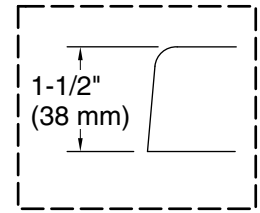
Underscore® Oval

72" x 42" heated whirlpool bath with center drain

K-5718-JH

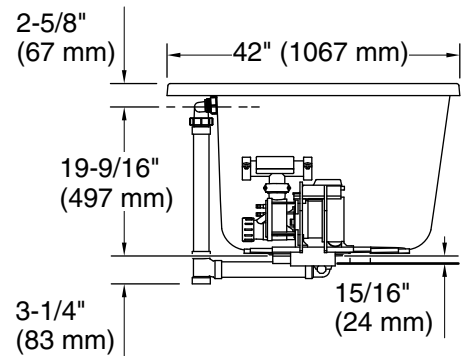
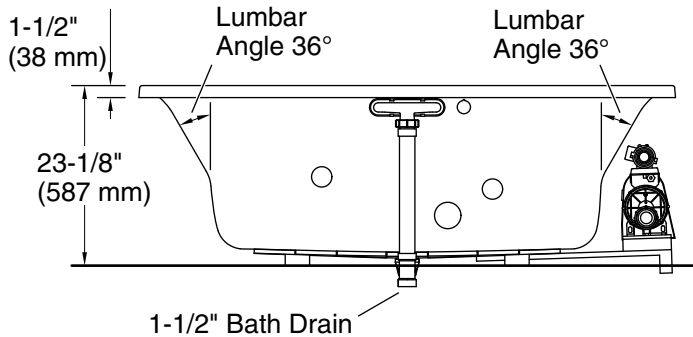


No change in measurements if connected with drain illustrated. (K-7272)



Drop-in Rim Detail

Blower Motor Access
20" (508 mm) W x 15" (381 mm) H Min



Required Electrical Service

Two dedicated circuits required, protected with Class A Ground-Fault Circuit-Interrupter (GFCI). Outside North America, this device may be known as a Residual Current Device (RCD).

Pump:	120 V, 15 A, 60 Hz
Heater:	120 V, 15 A, 60 Hz

Technical Information

All product dimensions are nominal.

Installation:	Drop-in
Drain location:	Center
Basin area, bottom:	46-3/8" x 31-3/16" (1178 mm x 792 mm)
Basin area, top:	67-3/4" x 35-3/8" (1721 mm x 899 mm)
Weight:	115 lbs (52.2 kg)
Minimum floor load:	54.6 lbs/ft ² (266.6 kg/m ²)
Water depth:	18-7/16" (469 mm)
Water capacity:	111 gal (420.2 L)
Electrical component rating:	Pump: 120 V, 7 A, 60 Hz Heater: 120 V, 12 A, 60 Hz

Notes

Measure your actual product for rough-in details. Install this product according to the installation instructions.

The hot water supply should be 70% of the capacity of the bath or greater. Installations will vary.