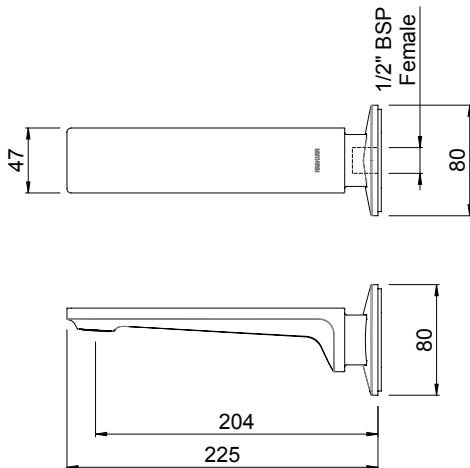


SURFACE WALL MOUNTED BATH SPOUT

Crafted from Eco Brass®, a lead-free brass created to help preserve water quality, the Surface tapware range combines clean lines with elegant floating planes, creating a refined contemporary architectural aesthetic.

This revolutionary high quality, high strength, corrosion resistant material is lead and heavy metal free therefore preserving water quality for both consumption and bathing.



CONSTRUCTION: Eco Brass

CLASSIFICATION: Suitable for **all pressure** systems

INLET CONNECTIONS: 1/2" BSP Female

WORKING PRESSURE: 35 - 1000kPa

OPERATING TEMPERATURE: 5 °C - 80 °C

- Quick-fit connector
- Lead free brass to protect water quality
- 200mm spout for wide range of bath specifications

SFSPWBTCP

Chrome

<http://www.methven.com/nz/surface-wall-mounted-bath-spout>