

CLASSIC

CLAT2L

Classic 66" x 34" x 21" Left Hand Air Rectangular Bathtub with End Drain



SHOWN IN WHITE

TECHNICAL DETAILS

ADA Compliance: No
Assembly / Configuration: One Piece
Bathing Type: Bathing, Soaking and Showering
Drilling Option: None
Electric Requirements: 16" high x 30" wide Access Panel
Depth / Width: 34"
Height: 21"
Installation Type: Drop In or Undermount
Item Weight (Filled): 725.0 pounds
Length: 66"
Material / Wall Thickness: 7/16"
Number of Holes: Two Hole
Overflow Opening: Yes
Primary Material: Acrylic
Required Electrical Feeds: 120V/15amp Dedicated Line
Single or Double Ended: Single Ended
Suggested Application: Bath

INSPIRATION

Our Classic collection encompasses core elements for every bath. This collection is perfect for all design aesthetics.

CODES & STANDARDS

Code # CLAT20: UL, cUL

PRODUCT FEATURES

Constructed of high density acrylic which is the highest industry standard
The high density acrylic acts as a reinforcement and provided an overall thicker bathtub construction
The high density acrylic acts as a reinforcement and provided an overall thicker bathtub construction
Microban is built into the acrylic during manufacturing to provide a continuous antimicrobial product protection.

CERTIFICATIONS

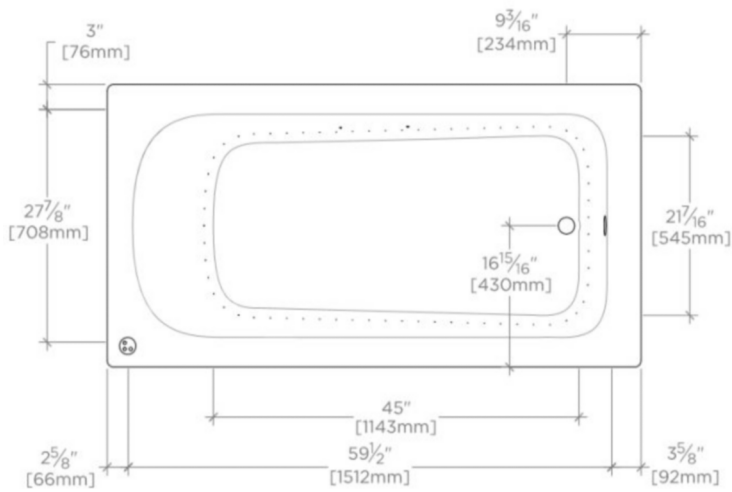


WATERWORKS

CLASSIC

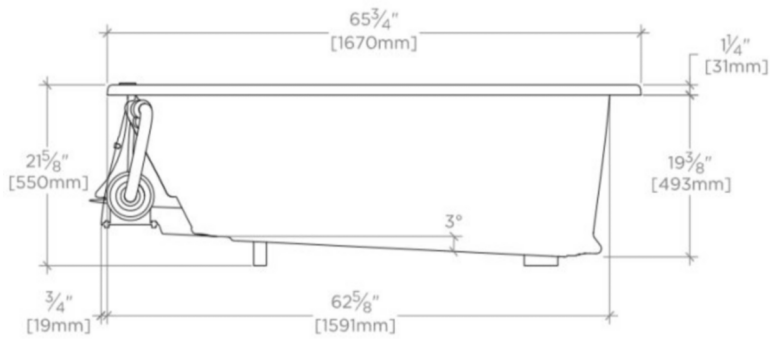
CLAT2L

Classic 66" x 34" x 21" Left Hand Air Rectangular Bathtub with End Drain



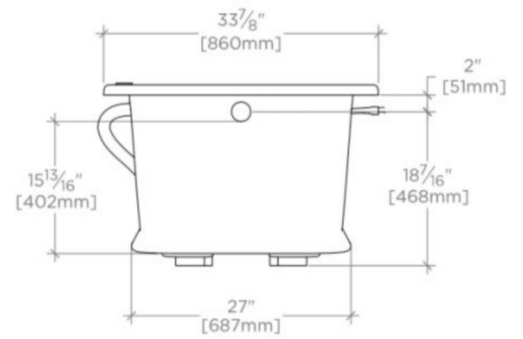
TOP VIEW

SCALE: 1/2"=1'-0"



SIDE VIEW

SCALE: 1/2"=1'-0"



END VIEW

SCALE: 1/2"=1'-0"