

KIRI 3 HOLE WALL FAUCET INSTALLATION GUIDE

TECHNICAL SPECIFICATIONS

Operating Pressure:

Min 35 kPa, Max 500 kPa.

Recommended installation of a pressure limiting valve if supply exceeds 500kPa.

Operating Temperature:

Recommended 50°C at the mixer

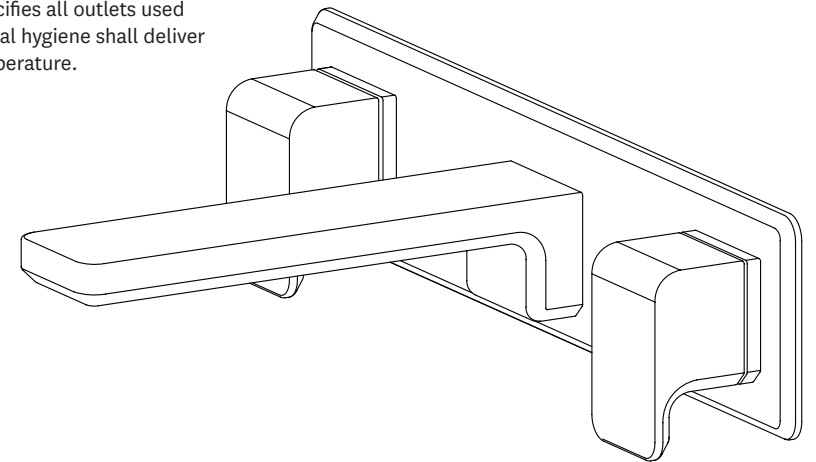
Hot: Max 80°C.

Cold: Min 5°C.

NB: New Zealand Building Code Clause G12 - Water Supplies specifies all outlets used primarily for personal hygiene shall deliver water at a safe temperature.

Inlet Connections:

All 1/2" BSP.



Methven warrants this product against manufacturing defects and that it is suitable for use under the operating conditions specified in this instruction sheet.

For your warranty please refer to www.methven.com or call Customer Service

New Zealand
0800 804 222

Australia
1300 638 483

USA
1800 975 5409

UK
0800 195 1602



KIRI

METHVEN

IMPORTANT

Please read all of the instructions before installation

This faucet is designed for equal and unequal pressure systems.

This faucet is not recommended for use in uncontrolled heating systems such as wet-backs or solar heater units unless a tempering valve is fitted.

All pipe-work must be thoroughly flushed prior to installation of the mixer. In-line filters must be installed on both hot and cold supplies to prevent foreign particles damaging the ceramic cartridge.

NOTE: It is the responsibility of the installer to ensure a water proof seal is achieved between the escutcheon and finished surface of the wall. In any doubt about the quality of the seal the escutcheon should be removed and then reinstall using silicon to ensure a seal is achieved.

