

CLASSIC

CLAW1L

Classic 72" x 36" x 21" Left Hand Air and Whirlpool Rectangular Bathtub with Center Drain



SHOWN IN CLASSIC 72" X 36" X 21" LEFT HAND AIR AND WHIRLPOOL RECTANGULAR BATHTUB WITH CENTER DRAIN

TECHNICAL DETAILS

ADA Compliance: No
Assembly / Configuration: One Piece
Bathing Type: Bathing, Soaking and Showering
Drilling Option: None
Electric Requirements: 16" high x 30" wide Access Panel
Depth / Width: 36"
Height: 21"
Installation Type: Drop In or Undermount
Item Weight (Filled): 900.0 pounds
Length: 72"
Overflow Opening: Yes
Primary Material: Acrylic
Single or Double Ended: Double Ended
Suggested Application: Bath

INSPIRATION

Our Classic collection encompasses core elements for every bath. This collection is perfect for all design aesthetics.

CODES & STANDARDS

Code # CLBT01: UL, cUL

PRODUCT FEATURES

Constructed of high density acrylic which is the highest industry standard
The high density acrylic acts as a reinforcement and provided an overall thicker bathtub construction
Microban is built into the acrylic during manufacturing to provide a continuous antimicrobial product protection.
Available as a drop in or undermount installation.

CERTIFICATIONS



PRODUCT (NOTES)

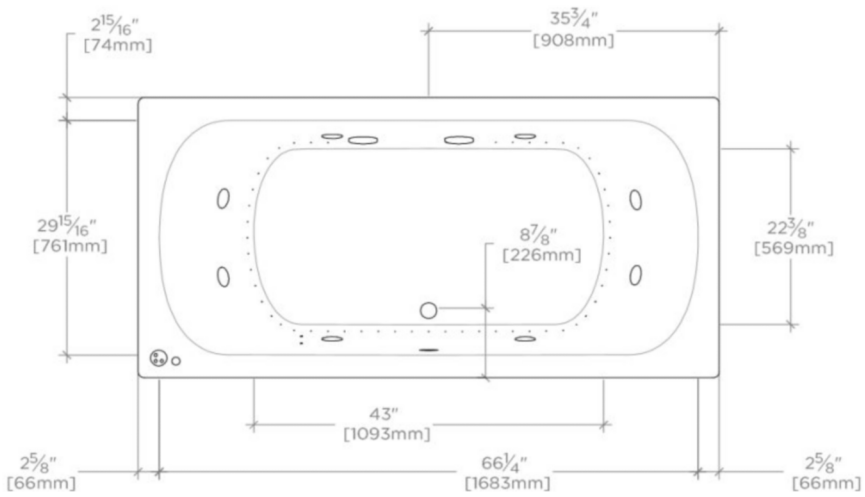
Dimensions of fixtures are nominal. Measure your actual product for rough-in details.

WATERWORKS

CLASSIC

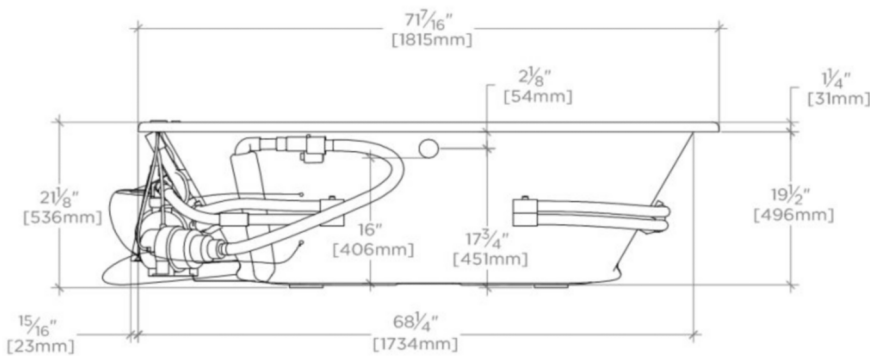
CLAW1L

Classic 72" x 36" x 21" Left Hand Air and Whirlpool Rectangular
Bathtub with Center Drain



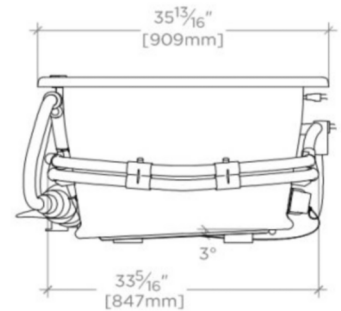
TOP VIEW

SCALE: 1/2"=1'-0"



SIDE VIEW

SCALE: 1/2"=1'-0"



END VIEW

SCALE: 1/2"=1'-0"