



Memoirs® Classic

Drop-in Bathroom Sink

K-2241-8

Features

- 8" (203 mm) centerset faucet holes.
- Elegant rectangular basin.
- Overflow drain.
- Coordinates with other products in the Memoirs collection.

Material

- Vitreous china.

Installation

- Drop-in.

Recommended Products/Accessories

- K-8998 P-Trap
- K-23726 Drain treatment
- K-23725 Cast iron cleaner



ADA CSA B651 OBC

Codes/Standards

ASME A112.19.2/CSA B45.1
ADA
ICC/ANSI A117.1
CSA B651
OBC

KOHLER® One-Year Limited Warranty

See website for detailed warranty information.

Available Colors/Finishes

Color tiles intended for reference only.

Color	Code	Description
	0	White
	96	Biscuit
	47	Almond
	NY	Dune
	95	Ice™ Grey
	G9	Sandbar
	33	Mexican Sand™
	K4	Cashmere
	58	Thunder™ Grey
	7	Black Black™

1-800-4KOHLER (1-800-456-4537)

Kohler Co. reserves the right to make revisions without notice to product specifications.

For the most current Specification Sheet, go to www.kohler.com.

5-1-2020 05:59 - US/CA

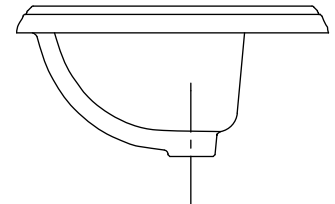
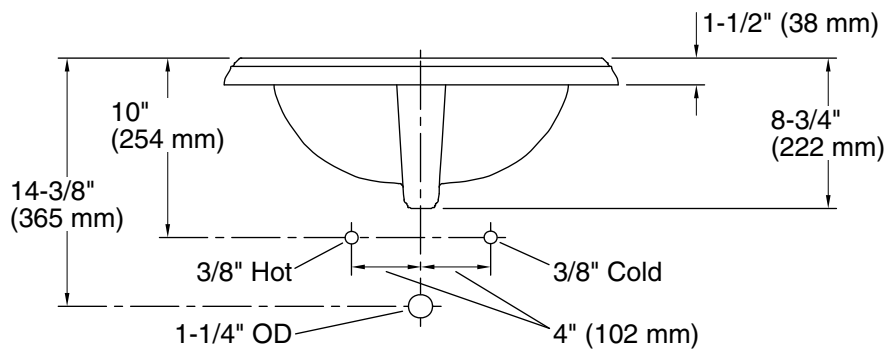
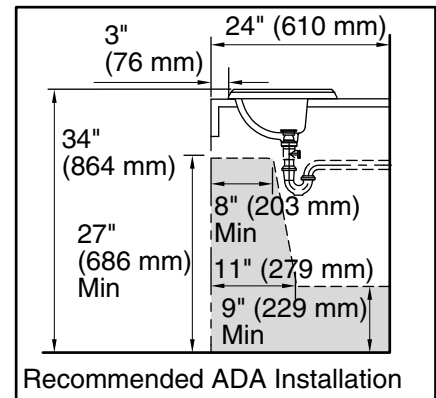
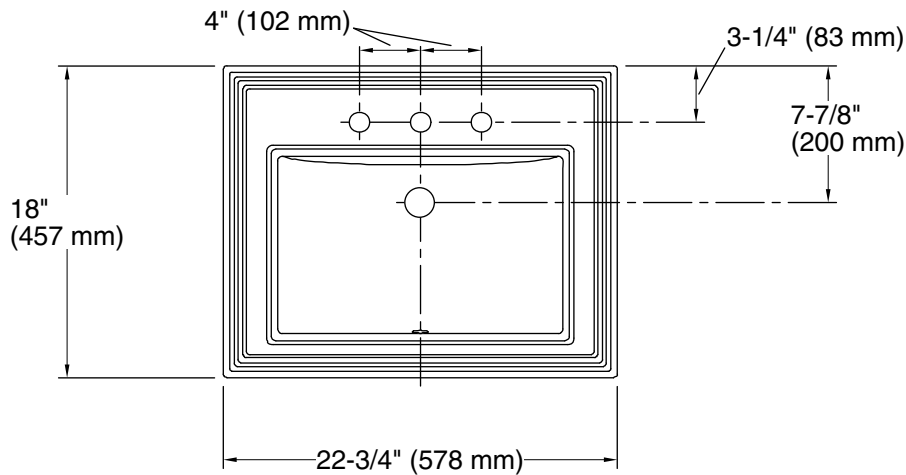
THE BOLD LOOK
OF **KOHLER**®



Memoirs® Classic

Drop-in Bathroom Sink

K-2241-8



Technical Information

All product dimensions are nominal.

- Bowl configuration: Single
- Installation: Drop-in
- Bowl area (Only): Length: 17" (432 mm)
Width: 10" (254 mm)
Water depth: 5" (127 mm)
- Number of deck holes: 3
- Faucet hole spacing: 8" (203 mm)
- Faucet hole(s): 1-3/8" (35 mm)
- Drain hole: 1-3/4" (44 mm)
- Template: 1003676, required, included

Notes

- Install this product according to the installation instructions.
- NOTICE: Countertop manufacturer or cutter must use the cutout template provided with the product, or a current one provided by Kohler (call 1-800-4-KOHLER). Kohler is not responsible for cutout errors when incorrect cutout template is used.
- ADA, OBC, CSA B651 compliant when installed to the specific requirements of these regulations.