

CLASSIC

CLAW3L

Classic 60" x 31" x 20" Left Hand Air and Whirlpool Rectangular Bathtub with End Drain



SHOWN IN CLASSIC 66" X 34" X 21" LEFT HAND AIR AND WHIRLPOOL RECTANGULAR BATHTUB WITH END DRAIN | CLAW2L

TECHNICAL DETAILS

ADA Compliance: No
Assembly / Configuration: One Piece
Bathing Type: Bathing, Soaking and Showering
Drilling Option: None
Electric Requirements: 16" high x 30" wide Access Panel
Depth / Width: 31"
Height: 20"
Installation Type: Drop In or Undermount
Item Weight (Filled): 630.0 pounds
Length: 60"
Number of Holes: Two Hole
Overflow Opening: Yes
Primary Material: Acrylic
Single or Double Ended: Single Ended
Suggested Application: Bath

INSPIRATION

Our Classic collection encompasses core elements for every bath. This collection is perfect for all design aesthetics.

CODES & STANDARDS

Code # CLAT30: UL, cUL

PRODUCT FEATURES

Constructed of high density acrylic which is the highest industry standard
The high density acrylic acts as a reinforcement and provided an overall thicker bathtub construction
Microban is built into the acrylic during manufacturing to provide a continuous antimicrobial product protection.
Available as a drop in or undermount installation.

CERTIFICATIONS



PRODUCT (NOTES)

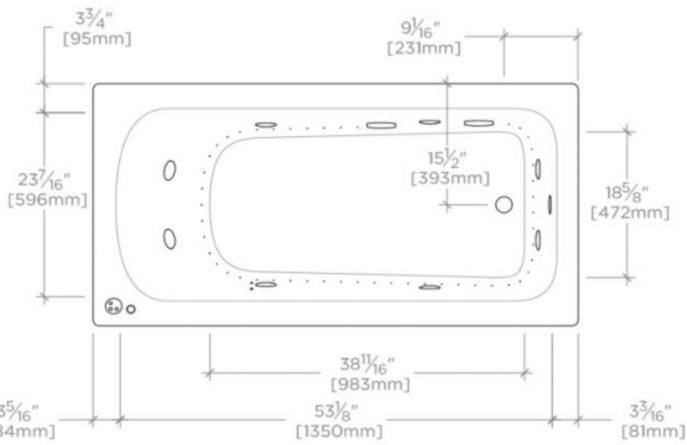
Dimensions of fixtures are nominal. Measure your actual product for rough-in details.

WATERWORKS

CLASSIC

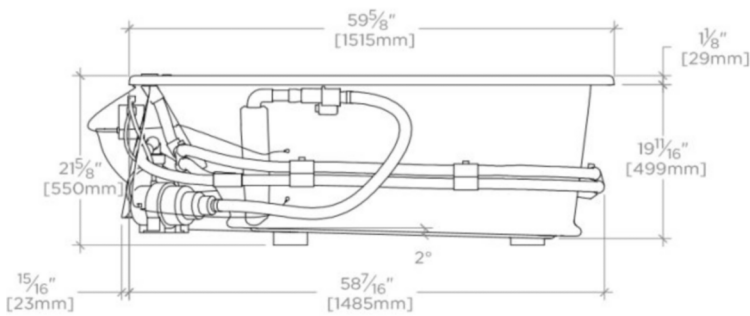
CLAW3L

Classic 60" x 31" x 20" Left Hand Air and Whirlpool Rectangular
Bathtub with End Drain



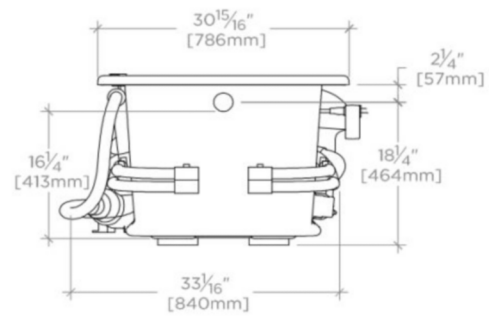
TOP VIEW

SCALE: 1/2"=1'-0"



SIDE VIEW

SCALE: 1/2"=1'-0"



END VIEW

SCALE: 1/2"=1'-0"