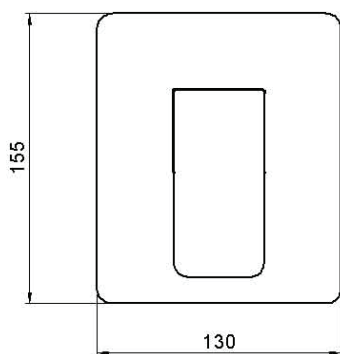
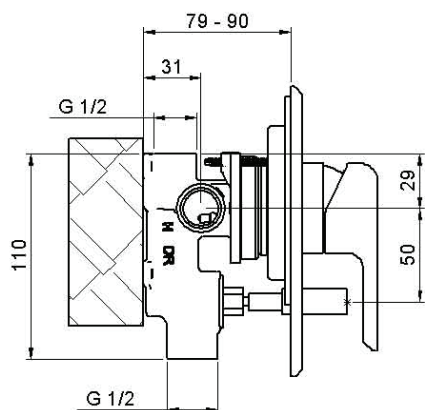


KIRI SHOWER MIXER



CARTRIDGE: Ceramic

CLASSIFICATION: Suitable for mains pressures only

INLET CONNECTIONS: 1/2" BSP Male

WORKING PRESSURE: 150 - 500kPa

DIMENSIONS FOR FITTING: 102mm diameter hole

OPERATING TEMPERATURE: 5 °C - 80 °C

- Metal faceplate
- Ceramic cartridge
- Plunger diverter located under handle for clean design lines

KISHDCP

Chrome

<http://www.methven.com/nz/kiri-shower-mixer-diverter-o>