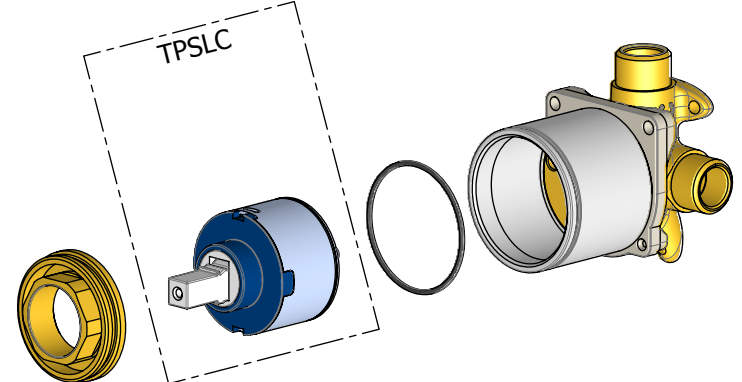
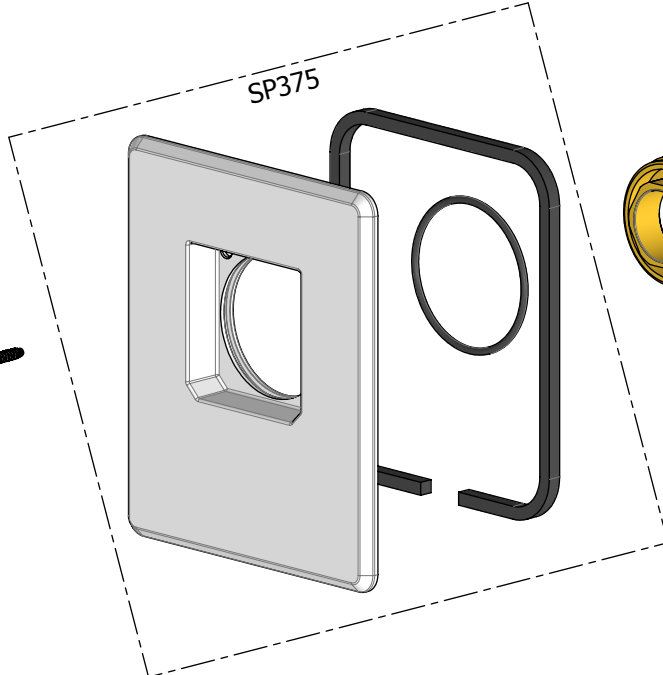
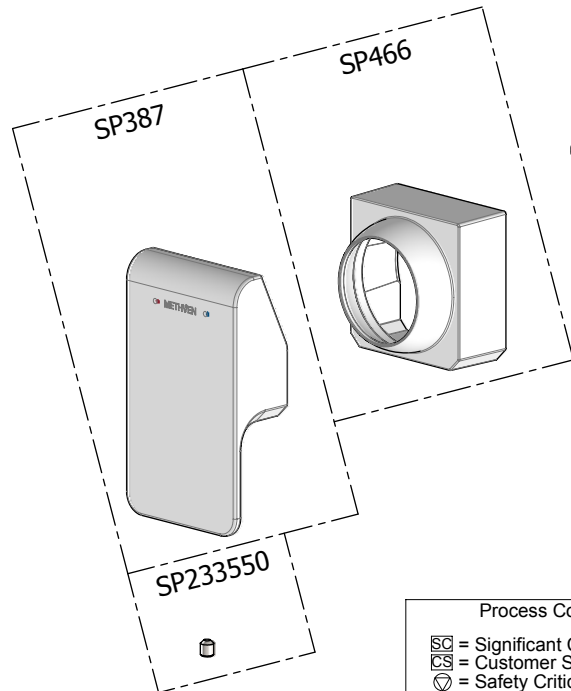
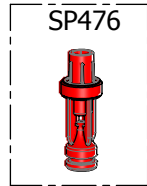
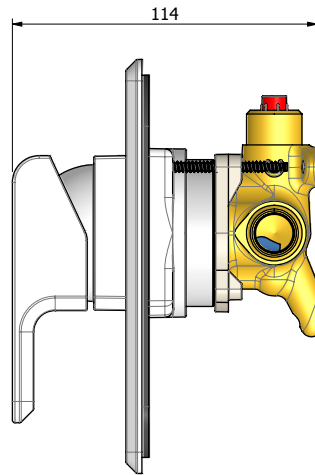
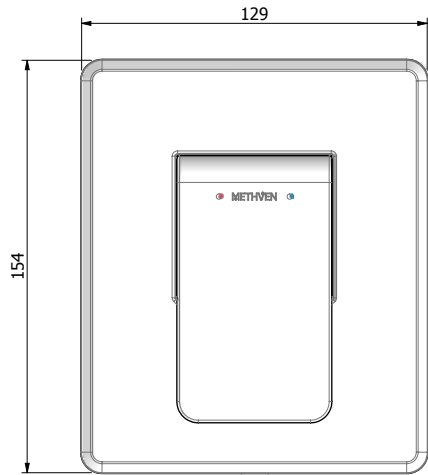


REV	DESCRIPTION	DATE	BY	ECA
-----	-------------	------	----	-----



Process Control Notes:
 SQ = Significant Characteristics
 CS = Customer Significant Features
 V = Safety Critical Features
 All identified features are required to be produced with a process Cpk ≥ 1.33

Dimensions in mm

 Scale: 1:2
DO NOT SCALE

TOLERANCES UNLESS SPECIFIED OTHERWISE	
LINEAR 0 ± 0.4 0.0 ± 0.2 0.00 ± 0.1	ANGLES ± 3° SURFACE FINISH: 1.6 CONCENTRICITY © 0.1 ALL Ø ABOUT COMMON CENTRELINE

DRAWN: C Bauer 7/06/2016	CHECKED: Select checked by
MATERIAL: Refer parts	MASS: 1913 g
COLOUR: Refer parts	FINISH: Refer parts
DESCRIPTION: KIRI SHOWER MIXER A/P CP - SP	

mETHVEN LIMITED Private Bag 19996, Auckland 1746 447 Rosebank Road, Avondale, Auckland 1026 PH (+649) 829-0429 FAX (+649) 829-0439	Sheet 1 of 1
	Sheet size A3
	DWG. No: KISHCP REV: A

METHVEN_PRODUCT_TEMPL_01