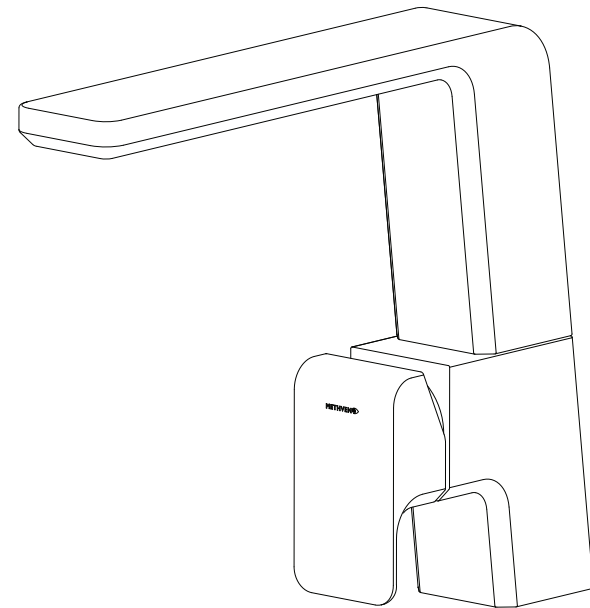




# Kiri Sink Mixer



## Installation Guide

### Technical Specifications

Operating Pressure: Min. 35kPa (5 PSI), Max 1000kPa (145 PSI). Recommended 150-500kPa. (22-72 PSI) Install a pressure limiting valve if supply exceeds 1000kPa.  
Operating Temperature: Recommended 50°C (122°F) at the mixer. Max 80°C (176°F).  
Inlet Connections: All 1/2" BSP

---

Methven warrants this product against manufacturing defects and that it is suitable for use under the operating conditions specified in this instruction sheet.

For your warranty please refer to [www.methven.biz](http://www.methven.biz) or call Customer Service

New Zealand  
0800 804 222

Australia  
1300 638 483

USA  
800 975 5409

UK  
0800 195 1602

# IMPORTANT

Please read all of the instructions before installation

This mixer is designed for mains pressure systems.

This mixer is not recommended for use in uncontrolled heating systems such as wetbacks or solar heater units.

All pipework must be thoroughly flushed prior to the installation of the mixer. Inline filters must be fitted on both hot and cold supplies to prevent foreign particles damaging the ceramic cartridge.

