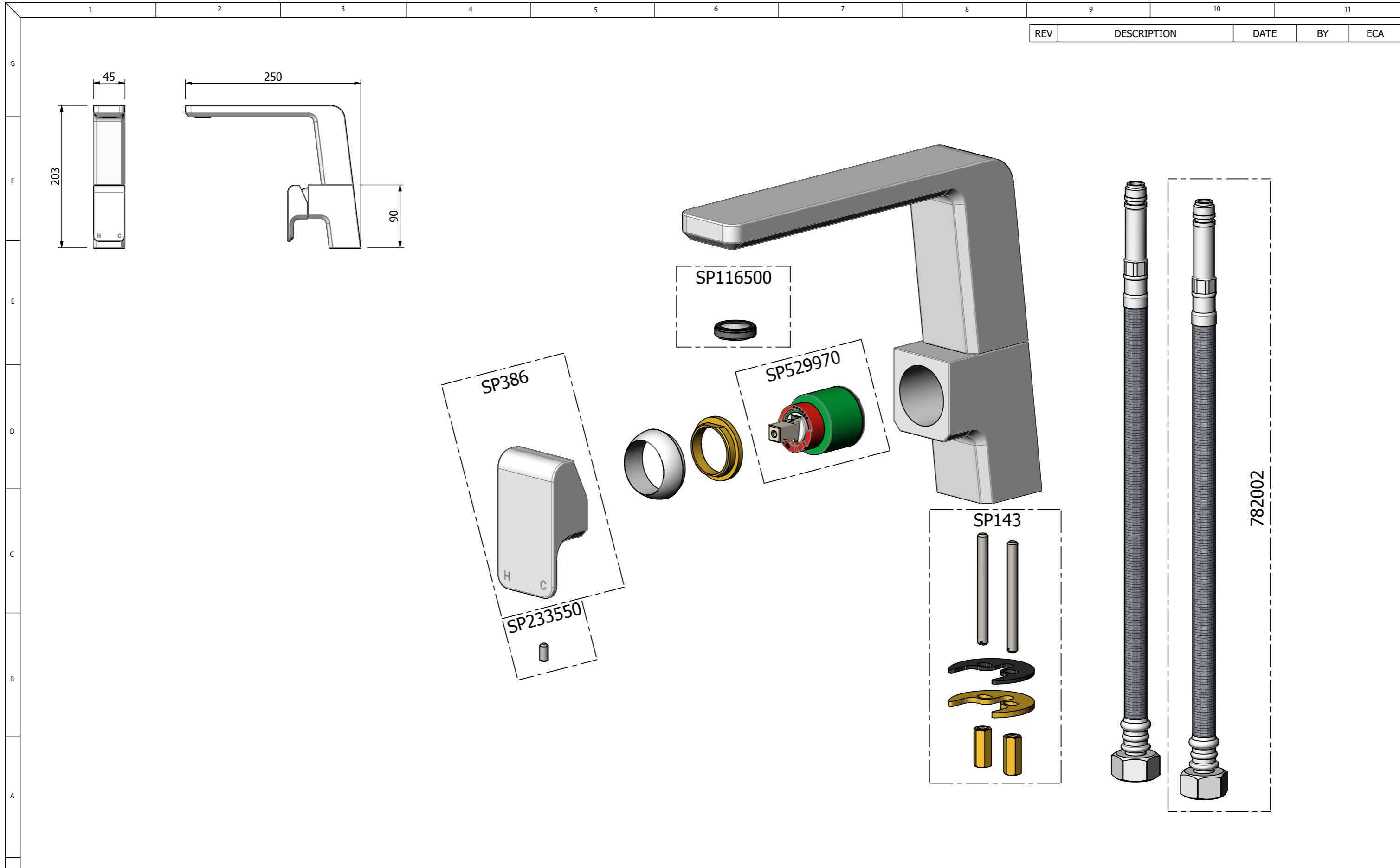


REV	DESCRIPTION	DATE	BY	ECA
-----	-------------	------	----	-----



MWV_A3_PRODUCT Rev 04	<b>Process Control Notes:</b> SC = Significant Characteristics CS = Customer Significant Features VC = Safety Critical Features All identified features are required to be produced with a process Cpk ≥ 1.33	<b>Dimensions in mm</b>  Scale: 1:5 <b>DO NOT SCALE</b>	<b>TOLERANCES UNLESS SPECIFIED OTHERWISE</b> <table border="1"> <tr> <td>LINEAR</td> <td>ANGLES ± 3°</td> </tr> <tr> <td>0 ± 0.4</td> <td>SURFACE FINISH: 1.6</td> </tr> <tr> <td>0.0 ± 0.2</td> <td></td> </tr> <tr> <td>0.00 ± 0.1</td> <td></td> </tr> </table> CONCENTRICITY  0.1 ALL Ø ABOUT COMMON CENTRELINE	LINEAR	ANGLES ± 3°	0 ± 0.4	SURFACE FINISH: 1.6	0.0 ± 0.2		0.00 ± 0.1		DRAWN: C Bauer 17/06/2016 CHECKED: Select checked by MATERIAL: Refer parts MASS: g COLOUR: FINISH: DESCRIPTION: <b>KIRI SINK MIXER CP - SP</b>	<b>mETHVEN LIMITED</b> Private Bag 19996, Auckland 1746 447 Rosebank Road, Avondale, Auckland 1026 PH (+649) 829-0429 FAX (+649) 829-0439	Sheet 1 of 1 Sheet size A3
	LINEAR	ANGLES ± 3°												
	0 ± 0.4	SURFACE FINISH: 1.6												
	0.0 ± 0.2													
0.00 ± 0.1														
DWG No <b>KIKCP</b>	REV <b>B</b>													