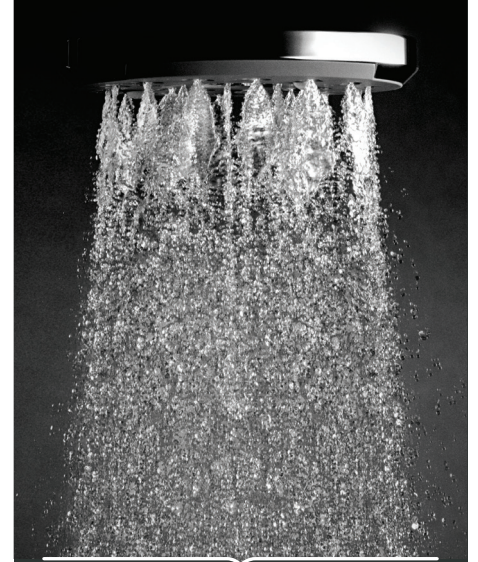
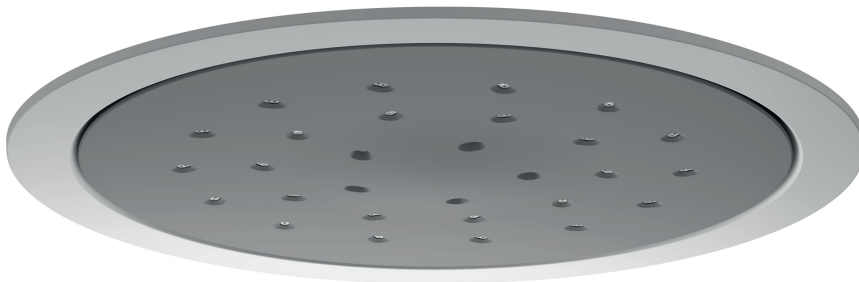


Satinjet®

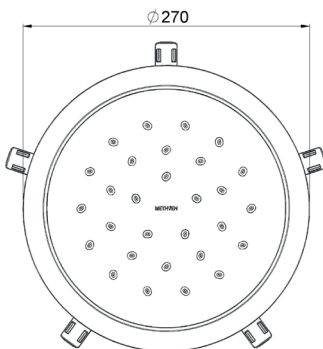
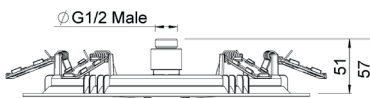
OVERHEAD II FLUSH MOUNTED



Satinjet®. The unmistakable feeling of 300,000 droplets per second.

Unlike conventional showers, Satinjet uses unique twin-jet technology to create optimum water droplet size and pressure, with over 300,000 droplets per second providing greater warmth and coverage. The result is an immersive, full-body experience.

Note:-
Requires an unobstructed 240mm ±5mm hole in ceiling lining for correct mounting



CONSTRUCTION: Brass adjustable ball joint connection

CLASSIFICATION: Suitable for all pressure systems

WORKING PRESSURE: 35 - 500kPa

DIMENSIONS FOR FITTING: 1/2" BSP

OPERATING TEMPERATURE: 5 °C - 70 °C

- Features award-winning Satinjet® technology
- 216mm diameter shower rose
- Easy to clean faceplate
- 3 star WELS rated on mains pressure (7.5 l/m)
- 1 star WELS rated on low pressure (13.0 l/m)

OSRO23oFMCPGR

Graphite faceplate

<http://www.methven.com/nz/showering/overhead-showers/kiri-satinjet-flush-mounted-drencher>